

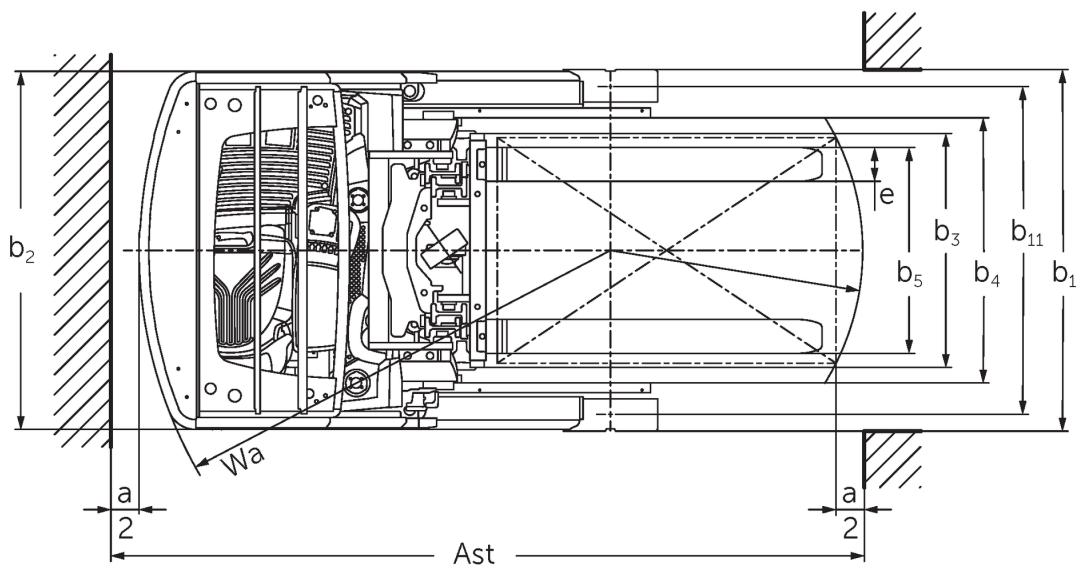
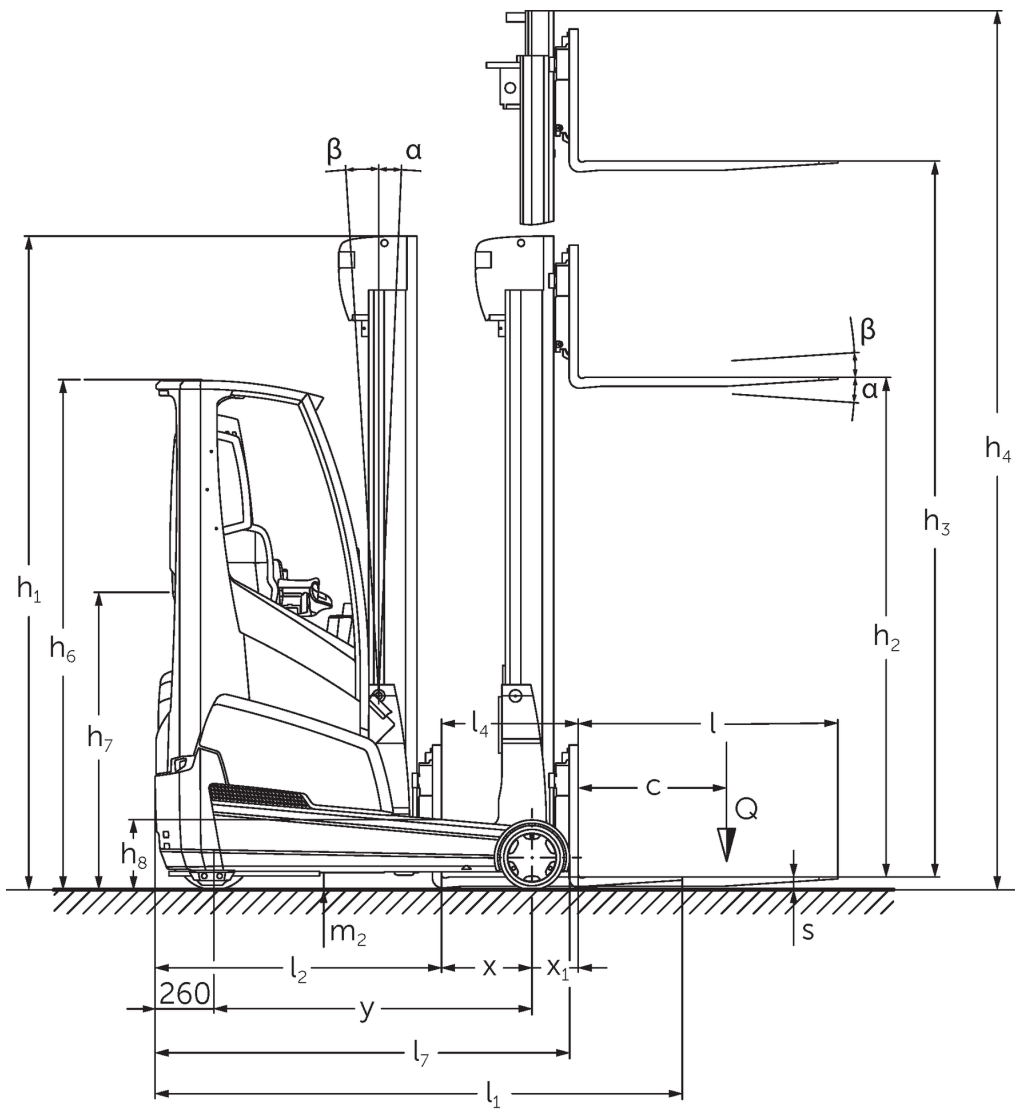


# **Elektro-Schubmaststapler**

## **ETV 216i**

**Lift height: 4550-10700 mm / Load capacity: 1600 kg**

# ETV 216i



# ETV 216i

ETV 216i	Lift (h3)	Retracted mast height (h1)	Free lift (h2)	Extended mast height (h4)	Forward/backward tilt of mast	Forward/backward tilt of fork carriage
Dreifach-Hubgerüst DZ / kaltverformt	6200 mm	2600 mm	1956 mm	6844 mm		2 / 5 °
Gabelneigung / Dreifach-Hubgerüst DZ / kaltverformt	5000 mm	2200 mm	1556 mm	5644 mm		2 / 5 °
	5300 mm	2300 mm	1656 mm	5944 mm		2 / 5 °
	5600 mm	2400 mm	1756 mm	6244 mm		2 / 5 °
	5900 mm	2500 mm	1856 mm	6544 mm		2 / 5 °
	6500 mm	2700 mm	2056 mm	7144 mm		2 / 5 °
	6800 mm	2800 mm	2156 mm	7444 mm		2 / 5 °
	7100 mm	2900 mm	2256 mm	7744 mm		2 / 5 °
	7400 mm	3000 mm	2356 mm	8044 mm		2 / 5 °
	7700 mm	3100 mm	2456 mm	8344 mm		2 / 5 °
	8000 mm	3200 mm	2556 mm	8644 mm		2 / 5 °
	8300 mm	3300 mm	2656 mm	8944 mm		2 / 5 °
	8420 mm	3340 mm	2696 mm	9064 mm		2 / 5 °
	8720 mm	3440 mm	2796 mm	9364 mm		2 / 5 °
	9020 mm	3540 mm	2896 mm	9664 mm		2 / 5 °
	9410 mm	3670 mm	3026 mm	10054 mm		2 / 5 °
	9920 mm	3840 mm	3196 mm	10564 mm		2 / 5 °
10250 mm	3950 mm	3306 mm	10894 mm		2 / 5 °	
10520 mm	4040 mm	3396 mm	11164 mm		2 / 5 °	
10700 mm	4100 mm	3456 mm	11344 mm		2 / 5 °	
Mastneigung / Dreifach-Hubgerüst DZ / kaltverformt	6500 mm	2700 mm	2056 mm	7144 mm	0.5 / 2 °	
	6800 mm	2800 mm	2156 mm	7444 mm	0.5 / 2 °	
	7100 mm	2900 mm	2256 mm	7744 mm	0.5 / 2 °	
	7310 mm	2970 mm	2326 mm	7954 mm	0.5 / 1 °	
	7400 mm	3000 mm	2356 mm	8044 mm	0.5 / 1 °	
	7700 mm	3100 mm	2456 mm	8344 mm	0.5 / 1 °	
	8000 mm	3200 mm	2556 mm	8644 mm	0.5 / 1 °	
	8300 mm	3300 mm	2656 mm	8944 mm	0.5 / 1 °	
	8420 mm	3340 mm	2696 mm	9064 mm	0.5 / 1 °	
	8720 mm	3440 mm	2796 mm	9364 mm	0.5 / 1 °	
9020 mm	3540 mm	2896 mm	9664 mm	0.5 / 1 °		
Mastneigung / Dreifach-Hubgerüst DZ / warmgewalzt	4550 mm	2050 mm	1406 mm	5194 mm	1 / 3 °	
	5000 mm	2200 mm	1556 mm	5644 mm	1 / 3 °	
	5240 mm	2280 mm	1636 mm	5884 mm	1 / 3 °	
	5300 mm	2300 mm	1656 mm	5944 mm	1 / 3 °	
	5450 mm	2350 mm	1706 mm	6094 mm	1 / 3 °	
	5600 mm	2400 mm	1756 mm	6244 mm	1 / 3 °	
	5720 mm	2440 mm	1796 mm	6364 mm	1 / 3 °	
	5810 mm	2470 mm	1826 mm	6454 mm	1 / 3 °	
	5900 mm	2500 mm	1856 mm	6544 mm	1 / 3 °	
	6200 mm	2600 mm	1956 mm	6844 mm	1 / 3 °	
	6500 mm	2700 mm	2056 mm	7144 mm	0.5 / 2 °	
	6800 mm	2800 mm	2156 mm	7444 mm	0.5 / 2 °	
	7100 mm	2900 mm	2256 mm	7744 mm	0.5 / 2 °	
	7310 mm	2970 mm	2326 mm	7954 mm	0.5 / 1 °	
	7400 mm	3000 mm	2356 mm	8044 mm	0.5 / 1 °	

# VDI table

Stand-on: 11/2021

Characteristic	1.1	Manufacturer (abbreviated description)		Jungheinrich
	1.2	Manufacturer's type designation		<b>ETV 216i</b>
	1.3	Drive		Elektro
	1.4	Operation		Quersitz
	1.5	Load capacity/load	Q kg	1600
	1.6	Load centre distance	c mm	600
	1.8	Load distance, centre of drive axle to fork	x mm	401
	1.8.1	Load distance, centre of drive axle to fork, mast extended	mm	215
	1.9	Wheelbase	y mm	1410
Weights	2.1.1	Service weight (incl. battery)	kg	3438
	2.3	Axle load unladen front/rear	kg	2292 / 1146
	2.4	Axle load fork forward laden front/rear	kg	902 / 4132
	2.5	Axle load fork back laden front/rear	kg	2024 / 3014
Wheels/suspension system	3.1	Tyres		Polyurethan (PU)
	3.2	Tyre size, front		Ø 343 x 114
	3.3	Tyre size, rear		Ø 285 x 100
	3.5	Wheels, number front/back (x=driven)		1x / 2
	3.7	Tread width, rear	b <sub>11</sub> mm	1168
Basic dimensions	4.2	Retracted mast height (h1)	h <sub>1</sub> mm	2300
	4.3	Free lift (h2)	h <sub>2</sub> mm	1656
	4.4	Lift (h3)	h <sub>3</sub> mm	5300
	4.5	Extended mast height (h4)	h <sub>4</sub> mm	5944
	4.7	Height of overhead guard (cab)	h <sub>6</sub> mm	2263
	4.8	Seat height/stand height	h <sub>7</sub> mm	1079
	4.10	Height of support arms	h <sub>8</sub> mm	309
	4.19	Overall length	l <sub>1</sub> mm	2419
	4.19.4	Length including fork length	l <sub>1</sub> mm	2419
	4.20	Length including fork shank	l <sub>2</sub> mm	1269
	4.21.1	Overall width	b <sub>1</sub> mm	1282
	4.21.2	Overall width	b <sub>2</sub> mm	1270
	4.22	Fork dimensions	s/e/l mm	40 x 120 x 1150
	4.23	Fork carriage connection class		2B
	4.24	Fork carriage width	b <sub>3</sub> mm	830
	4.25	Width across forks	b <sub>5</sub> mm	335
	4.25.1	Width across forks (min./max.)	b <sub>5</sub> mm	335 / 730
	4.26	Width between support arms/loading areas	b <sub>4</sub> mm	940
	4.28	Reach distance	mm	616
	4.32	Ground clearance centre of wheelbase	m <sub>2</sub> mm	80
	4.34	Aisle width (pallet 1000x1200 sideways)	A <sub>st</sub> mm	2713
4.34.1	Aisle width (pallet 800x1200 length)	A <sub>st</sub> mm	2759	
4.35	Turning radius	W <sub>a</sub> mm	1665	
4.37	Length over the support arms	L <sub>7</sub> mm	1837	
Performance data	5.1	Travel speed laden/unladen (Efficiency   drivePLUS)	km/h	11 / 11   14 / 14
	5.2	Lift speed laden/unladen (Efficiency   liftPLUS)	m/s	0.35 / 0.7   0.59 / 0.81
	5.3	Lowering speed laden/unladen (Efficiency   liftPLUS)	m/s	0.56 / 0.56   0.56 / 0.56
	5.4	Reach speed laden/unladen (Efficiency   liftPLUS)	m/s	0.18 / 0.18   0.24 / 0.24
	5.7	Gradeability laden/unladen (Efficiency   drivePLUS)	%	8 / 12   8 / 12

	5.8	Max. gradeability laden/unladen (Efficiency   drivePLUS)	%	10 / 15   10 / 15
	5.9	Acceleration time laden/unladen (Efficiency   drivePLUS)	s	5.1 / 4.9   4.7 / 4.3
	5.10	Service brake		elektrisch
E-motor/Electronics	6.1	Drive motor, performance S2 60 min (Efficiency   drivePLUS)	kW	6   8.5
	6.2	Lift motor, performance with S3 (Efficiency   liftPLUS)	kW	13.3   15.5
	6.4	Battery voltage/nominal capacity	V / Ah	51.2 / 390
	6.6.1	Energy consumption according to EN cycle (Efficiency   PLUS)	kWh/h	3.19   3.34
	6.6.2	CO2 equivalent as per EN 16796 (Efficiency   PLUS)	kg/h	1.7   1.8
	6.7	Throughput (Efficiency   PLUS)	t/h	59.68   71.2
	6.8.1	Energy consumption with max. throughput (Efficiency   PLUS)	kWh/h	3.09   4.18
Other	10.1	Operating pressure for attachment	bar	150
	10.2	Oil flow for attachments	l/min	20
	10.7	Sound level as per EN12053, operator's ear	dB (A)	70

- This data sheet according to VDI guideline 2198 only states the technical values of the standard truck. Different tyres, other masts, additional equipment etc. may result in different values.

The German production facilities in  
Norderstedt, Moosburg and Landsberg  
are certified.

ISO 9001  
ISO 14001

Jungheinrich fork lift trucks meet  
European safety requirements.



 **JUNGHEINRICH**

The Jungheinrich logo, featuring a red upward-pointing arrow above the word 'JUNGHEINRICH' in a bold, black, sans-serif font.