

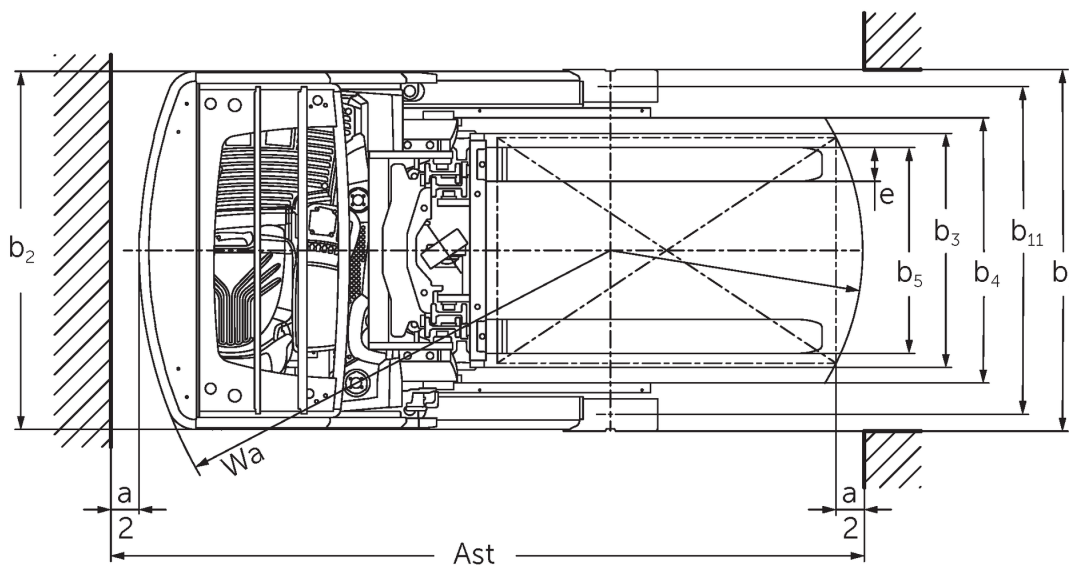
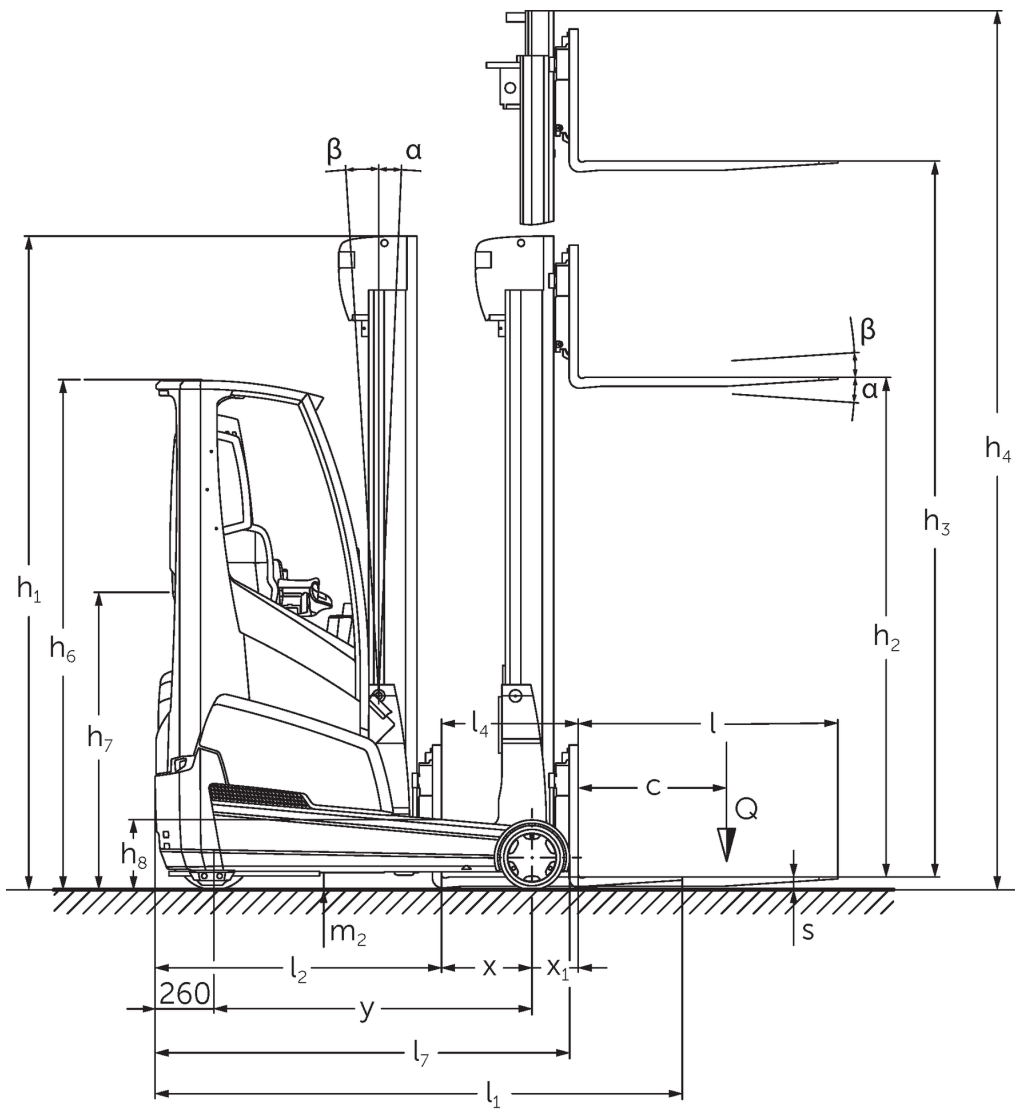


Electric reach truck

ETV 216i

Lift height: 4550-10700 mm / Load capacity: 1600 kg

ETV 216i



ETV 216i

ETV 216i	Lift (h3)	Retracted mast height (h1)	Free lift (h2)	Extended mast height (h4)	Forward/backward tilt of mast	Forward/backward tilt of fork carriage
Fork tilt / Triplex mast DZ / cold-formed	5000 mm	2200 mm	1556 mm	5644 mm		2 / 5 °
	5300 mm	2300 mm	1656 mm	5944 mm		2 / 5 °
	5600 mm	2400 mm	1756 mm	6244 mm		2 / 5 °
	5900 mm	2500 mm	1856 mm	6544 mm		2 / 5 °
	6500 mm	2700 mm	2056 mm	7144 mm		2 / 5 °
	6800 mm	2800 mm	2156 mm	7444 mm		2 / 5 °
	7100 mm	2900 mm	2256 mm	7744 mm		2 / 5 °
	7400 mm	3000 mm	2356 mm	8044 mm		2 / 5 °
	7700 mm	3100 mm	2456 mm	8344 mm		2 / 5 °
	8000 mm	3200 mm	2556 mm	8644 mm		2 / 5 °
	8300 mm	3300 mm	2656 mm	8944 mm		2 / 5 °
	8420 mm	3340 mm	2696 mm	9064 mm		2 / 5 °
	8720 mm	3440 mm	2796 mm	9364 mm		2 / 5 °
	9020 mm	3540 mm	2896 mm	9664 mm		2 / 5 °
	9410 mm	3670 mm	3026 mm	10054 mm		2 / 5 °
	9920 mm	3840 mm	3196 mm	10564 mm		2 / 5 °
	10250 mm	3950 mm	3306 mm	10894 mm		2 / 5 °
	10520 mm	4040 mm	3396 mm	11164 mm		2 / 5 °
10700 mm	4100 mm	3456 mm	11344 mm		2 / 5 °	
Mast tilt / Triplex mast DZ / cold-formed	6500 mm	2700 mm	2056 mm	7144 mm	0.5 / 2 °	
	6800 mm	2800 mm	2156 mm	7444 mm	0.5 / 2 °	
	7100 mm	2900 mm	2256 mm	7744 mm	0.5 / 2 °	
	7310 mm	2970 mm	2326 mm	7954 mm	0.5 / 1 °	
	7400 mm	3000 mm	2356 mm	8044 mm	0.5 / 1 °	
	7700 mm	3100 mm	2456 mm	8344 mm	0.5 / 1 °	
	8000 mm	3200 mm	2556 mm	8644 mm	0.5 / 1 °	
	8300 mm	3300 mm	2656 mm	8944 mm	0.5 / 1 °	
	8420 mm	3340 mm	2696 mm	9064 mm	0.5 / 1 °	
	8720 mm	3440 mm	2796 mm	9364 mm	0.5 / 1 °	
	9020 mm	3540 mm	2896 mm	9664 mm	0.5 / 1 °	
Mast tilt / Triplex mast DZ / hot-rolled	4550 mm	2050 mm	1406 mm	5194 mm	1 / 3 °	
	5000 mm	2200 mm	1556 mm	5644 mm	1 / 3 °	
	5240 mm	2280 mm	1636 mm	5884 mm	1 / 3 °	
	5300 mm	2300 mm	1656 mm	5944 mm	1 / 3 °	
	5450 mm	2350 mm	1706 mm	6094 mm	1 / 3 °	
	5600 mm	2400 mm	1756 mm	6244 mm	1 / 3 °	
	5720 mm	2440 mm	1796 mm	6364 mm	1 / 3 °	
	5810 mm	2470 mm	1826 mm	6454 mm	1 / 3 °	
	5900 mm	2500 mm	1856 mm	6544 mm	1 / 3 °	
	6200 mm	2600 mm	1956 mm	6844 mm	1 / 3 °	
	6500 mm	2700 mm	2056 mm	7144 mm	0.5 / 2 °	
	6800 mm	2800 mm	2156 mm	7444 mm	0.5 / 2 °	
	7100 mm	2900 mm	2256 mm	7744 mm	0.5 / 2 °	
	7310 mm	2970 mm	2326 mm	7954 mm	0.5 / 1 °	
	7400 mm	3000 mm	2356 mm	8044 mm	0.5 / 1 °	
Triplex mast DZ / cold-formed	6200 mm	2600 mm	1956 mm	6844 mm		2 / 5 °

VDI table

Stand-on: 12/2021

Characteristic	1.1	Manufacturer (abbreviated description)			Jungheinrich
	1.2	Manufacturer's type designation			ETV 216i
	1.3	Drive			Electric
	1.4	Operation			Sideways-seated
	1.5	Load capacity/load	Q	kg	1600
	1.6	Load centre distance	c	mm	600
	1.8	Load distance, centre of drive axle to fork	x	mm	401
	1.8.1	Load distance, centre of drive axle to fork, mast extended		mm	215
	1.9	Wheelbase	y	mm	1410
Weights	2.1.1	Service weight (incl. battery)		kg	3438
	2.3	Axle load unladen front/rear		kg	2292 / 1146
	2.4	Axle load fork forward laden front/rear		kg	902 / 4132
	2.5	Axle load fork back laden front/rear		kg	2024 / 3014
Wheels/suspension system	3.1	Tyres			Polyurethane (PU)
	3.2	Tyre size, front			Ø 343 x 114
	3.3	Tyre size, rear			Ø 285 x 100
	3.5	Wheels, number front/back (x=driven)			1x / 2
	3.7	Tread width, rear	b ₁₁	mm	1168
Basic dimensions	4.2	Retracted mast height (h1)	h ₁	mm	2300
	4.3	Free lift (h2)	h ₂	mm	1656
	4.4	Lift (h3)	h ₃	mm	5300
	4.5	Extended mast height (h4)	h ₄	mm	5944
	4.7	Height of overhead guard (cab)	h ₆	mm	2263
	4.8	Seat height/stand height	h ₇	mm	1079
	4.10	Height of support arms	h ₈	mm	309
	4.19	Overall length	l ₁	mm	2419
	4.19.4	Length including fork length	l ₁	mm	2419
	4.20	Length including fork shank	l ₂	mm	1269
	4.21.1	Overall width	b ₁	mm	1282
	4.21.2	Overall width	b ₂	mm	1270
	4.22	Fork dimensions	s/e/l	mm	40 x 120 x 1150
	4.23	Fork carriage connection class			2B
	4.24	Fork carriage width	b ₃	mm	830
	4.25	Width across forks	b ₅	mm	335
	4.25.1	Width across forks (min./max.)	b ₅	mm	335 / 730
	4.26	Width between support arms/loading areas	b ₄	mm	940
	4.28	Reach distance		mm	616
	4.32	Ground clearance centre of wheelbase	m ₂	mm	80
4.34	Aisle width (pallet 1000x1200 sideways)	A _{st}	mm	2713	
4.34.1	Aisle width (pallet 800x1200 length)	A _{st}	mm	2759	
4.35	Turning radius	W _a	mm	1665	
4.37	Length over the support arms	L ₇	mm	1837	
Performance data	5.1	Travel speed laden/unladen (Efficiency drivePLUS)		km/h	11 / 11 14 / 14
	5.2	Lift speed laden/unladen (Efficiency liftPLUS)		m/s	0.35 / 0.7 0.59 / 0.81
	5.3	Lowering speed laden/unladen (Efficiency liftPLUS)		m/s	0.56 / 0.56 0.56 / 0.56
	5.4	Reach speed laden/unladen (Efficiency liftPLUS)		m/s	0.18 / 0.18 0.24 / 0.24
	5.7	Gradeability laden/unladen (Efficiency drivePLUS)		%	8 / 12 8 / 12

	5.8	Max. gradeability laden/unladen (Efficiency drivePLUS)	%	10 / 15 10 / 15
	5.9	Acceleration time laden/unladen (Efficiency drivePLUS)	s	5.1 / 4.9 4.7 / 4.3
	5.10	Service brake		electric
E-motor/Electronics	6.1	Drive motor, performance S2 60 min (Efficiency drivePLUS)	kW	6 8.5
	6.2	Lift motor, performance with S3 (Efficiency liftPLUS)	kW	13.3 15.5
	6.4	Battery voltage/nominal capacity	V / Ah	51.2 / 390
	6.6.1	Energy consumption according to EN cycle (Efficiency PLUS)	kWh/h	3.19 3.34
	6.6.2	CO2 equivalent as per EN 16796 (Efficiency PLUS)	kg/h	1.7 1.8
	6.7	Throughput (Efficiency PLUS)	t/h	59.68 71.2
	6.8.1	Energy consumption with max. throughput (Efficiency PLUS)	kWh/h	3.09 4.18
Other	10.1	Operating pressure for attachment	bar	150
	10.2	Oil flow for attachments	l/min	20
	10.7	Sound level as per EN12053, operator's ear	dB (A)	70

- This data sheet according to VDI guideline 2198 only states the technical values of the standard truck. Different tyres, other masts, additional equipment etc. may result in different values.

Efficiency: Werte Standardpaket | PLUS: Werte Leistungspaket

- VDI no. 1.8: the mast type influences the load distance, centre of drive axle to fork x
- VDI no. 2.1.1: the battery size and the mast version influence the service weight and the axle loads
- VDI no. 2.3: the battery size and the mast version influence the service weight and the axle loads
- VDI no. 2.4: the battery size and the mast version influence the service weight and the axle loads
- VDI no. 2.5: the battery size and the mast version influence the service weight and the axle loads
- VDI no. 4.1: the mast version determines the tilt values
- VDI no. 4.19: the mast type and the fork length influence the overall length l1
- VDI no. 4.20: the mast type influences the length including fork shank l2
- VDI no. 4.28: the mast type influences the reach distance l4
- VDI no. 4.34.1: the mast type influences the aisle widths
- VDI no. 4.34.2: the mast type influences the aisle widths
- VDI no. 6.6.1: PLUS refers to the drive&liftPLUS performance package
- VDI no. 6.6.2: PLUS refers to the drive&liftPLUS performance package
- VDI no. 6.7: PLUS refers to the drive&liftPLUS performance package
- VDI no. 6.8.1: PLUS refers to the drive&liftPLUS performance package

The German production facilities in
Norderstedt, Moosburg and Landsberg
are certified.

ISO 9001
ISO 14001

Jungheinrich fork lift trucks meet
European safety requirements.



 **JUNGHEINRICH**