

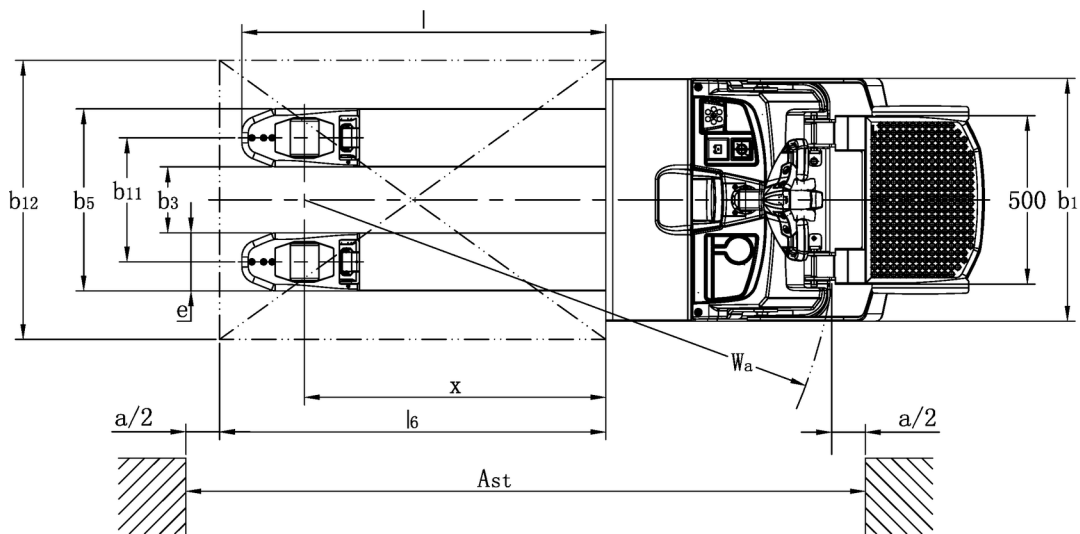
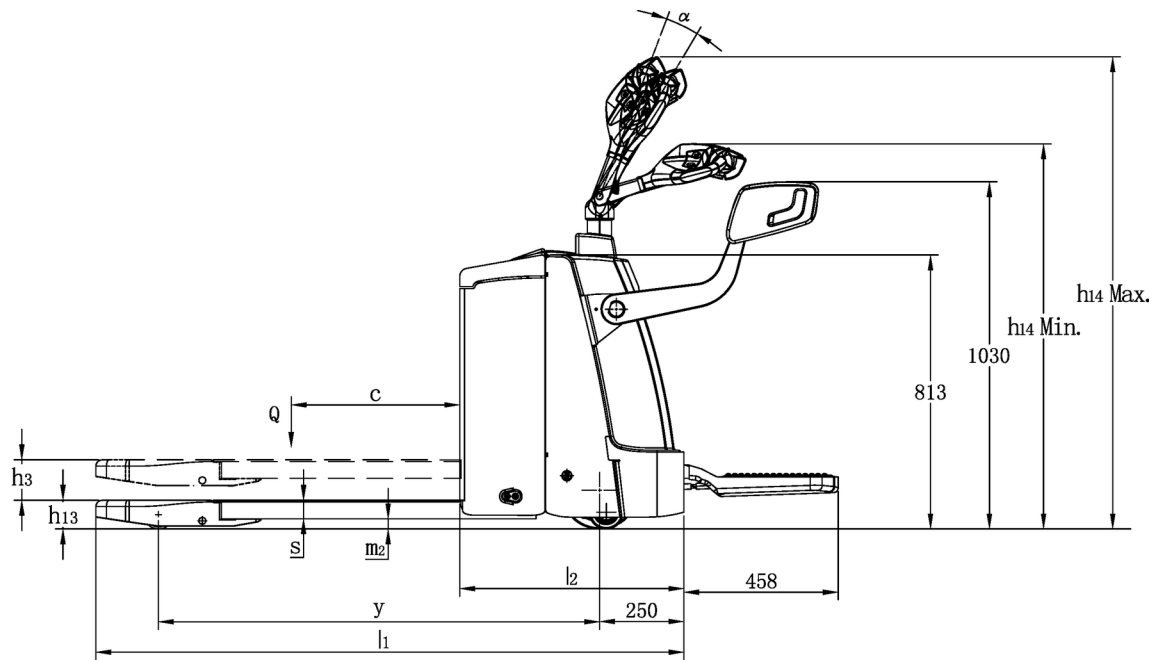


Electric ride-on/pedestrian pallet truck

EJR 120n

Lift height: 120 mm / Load capacity: 2000 kg

EJR 120n



VDI table

Stand-on: 04/2022

| | | | | | |
|--------------------------|---------|---|--------------------------------|---------------------|-------------------|
| Characteristic | 1.1 | Manufacturer (abbreviated description) | | Jungheinrich | |
| | 1.2 | Manufacturer's type designation | | EJR 120n | |
| | 1.3 | Drive | | Electric | |
| | 1.4 | Operation | | Stand-on/pedestrian | |
| | 1.5 | Load capacity/load | Q | kg | 2000 |
| | 1.6 | Load centre distance | c | mm | 600 |
| | 1.8 | Load distance, centre of drive axle to fork | x | mm | 965 |
| | 1.9 | Wheelbase | y | mm | 1370 |
| | Weights | 2.1.1 | Service weight (incl. battery) | | kg |
| 2.2 | | Axle load laden front/rear | | kg | 905 / 1670 |
| 2.3 | | Axle load unladen front/rear | | kg | 440 / 135 |
| Wheels/suspension system | 3.1 | Tyres | | | Polyurethane (PU) |
| | 3.2 | Tyre size, front | | | 230x70 |
| | 3.3 | Tyre size, rear | | | 85x110/85x85 |
| | 3.4 | Additional wheels | | | 100x40 |
| | 3.5 | Wheels, number front/back (x=driven) | | | 1x+2/2or4 |
| | 3.6 | Tread width, front | b ₁₀ | mm | 508 |
| | 3.7 | Tread width, rear | b ₁₁ | mm | 368 |
| Basic dimensions | 4.4 | Lift (h ₃) | h ₃ | mm | 120 |
| | 4.9 | Height of tiller handle in drive position min./max. | | mm | 1150 / 1410 |
| | 4.15 | Height, lowered | h ₁₃ | mm | 85 |
| | 4.19 | Overall length | l ₁ | mm | 1820 |
| | 4.20 | Length including fork shank | l ₂ | mm | 665 |
| | 4.21.1 | Overall width | b ₁ | mm | 720 |
| | 4.21.2 | Overall width | b ₂ | mm | 720 |
| | 4.22 | Fork dimensions | s/e/l | mm | 55 x 172 x 1150 |
| | 4.25 | Width across forks | b ₅ | mm | 540 |
| | 4.32 | Ground clearance centre of wheelbase | m ₂ | mm | 30 |
| | 4.34 | Aisle width (pallet 1000x1200 sideways) | A _{st} | mm | 1865 |
| | 4.34.1 | Aisle width (pallet 800x1200 length) | A _{st} | mm | 2065 |
| | 4.35 | Turning radius | W _a | mm | 1680 |
| Performance data | 5.1 | Travel speed laden/unladen | | km/h | 6 / 6 |
| | 5.2 | Lift speed laden/unladen | | m/s | 0.05 / 0.07 |
| | 5.3 | Lowering speed laden/unladen | | m/s | 0.06 / 0.04 |
| | 5.8 | Max. gradeability laden/unladen | | % | 8 / 15 |
| | 5.10 | Service brake | | | electric |
| E-motor/Electronics | 6.1 | Drive motor, performance S2 60 min | | kW | 1 |
| | 6.2 | Lift motor, performance with S3 | | kW | 2.2 |
| | 6.3 | Battery according to DIN 43531/35/36 | | | DIN 43531 B |
| | 6.4 | Battery voltage/nominal capacity | | V / Ah | 24 / 180 |
| | 6.5 | Battery weight | | kg | 180 |
| | 6.6.1 | Energy consumption according to EN cycle | | kWh/h | 0.36 |
| | 6.6.2 | CO2 equivalent as per EN 16796 | | kg/h | 0.2 |

| | | | | |
|-------|------|--|--------|----|
| Other | 8.1 | Type of drive control | | AC |
| | 10.7 | Sound level as per EN12053, operator's ear | dB (A) | 70 |

- This data sheet according to VDI guideline 2198 only states the technical values of the standard truck. Different tyres, other masts, additional equipment etc. may result in different values.

The German production facilities in
Norderstedt, Moosburg and Landsberg
are certified.

ISO 9001
ISO 14001

 **JUNGHEINRICH**