



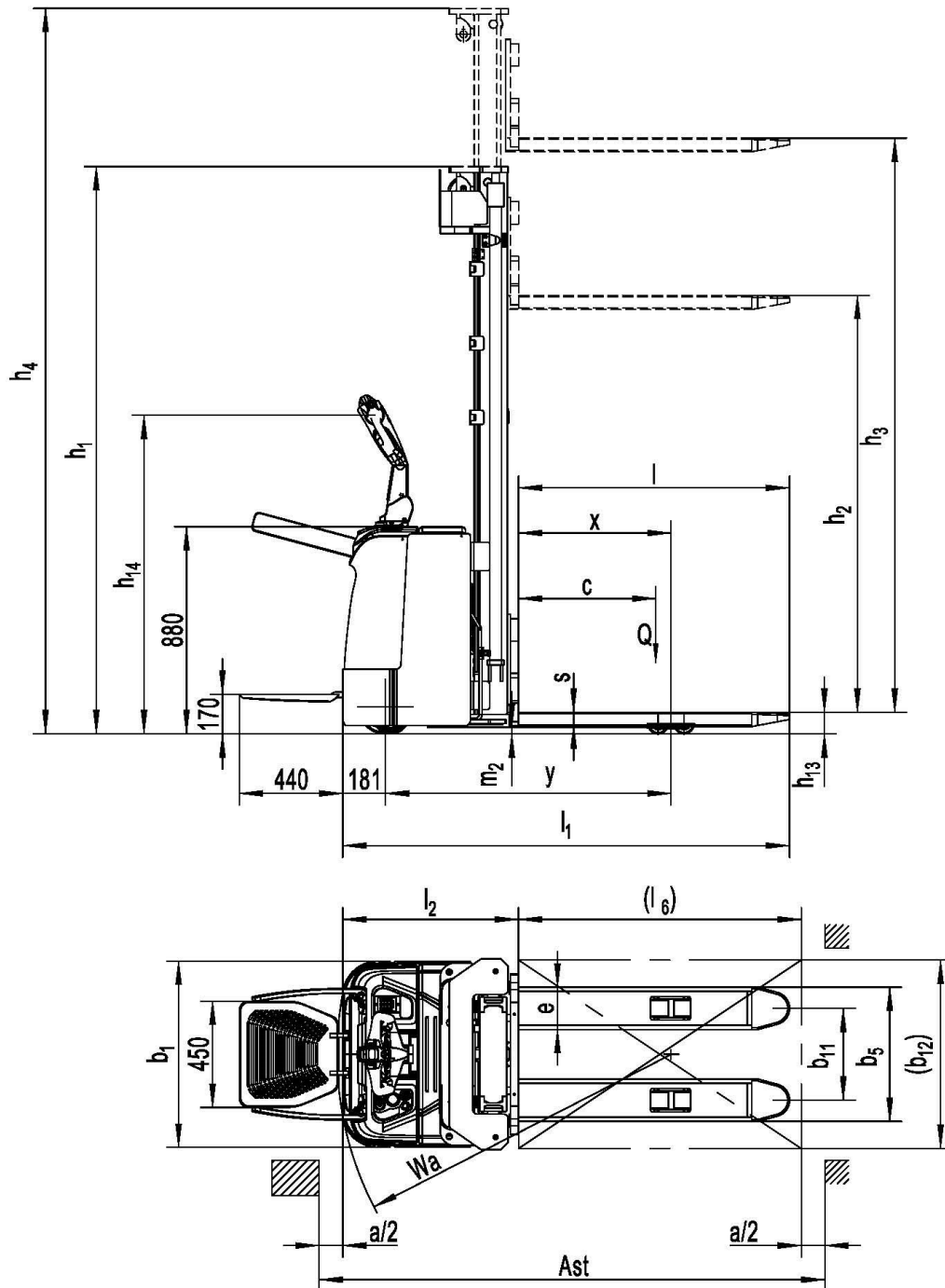
# **Electric stacker truck**

## **ERC BB 216**

**Lift height: 2830-5430 mm / Load capacity: 1600 kg**

** JUNGHEINRICH**

# ERC BB 216



# VDI table

Stand-on: 04/2022

Characteristic	1.1	Manufacturer (abbreviated description)		Jungheinrich											
	1.2	Manufacturer's type designation		ERC BB 216											
	1.3	Drive		Elektro											
	1.4	Operation		Stand/Geh											
	1.5	Load capacity/load	Q kg	1600											
	1.6	Load centre distance	c mm	600											
	1.8	Load distance, centre of drive axle to fork	x mm	647											
	1.9	Wheelbase	y mm	1215											
	Weights	2.1	Service weight	kg	1160	1190	1270	1300	1340	1160	1190	1270	1300	1340	
2.2		Axle load laden front/rear	kg	1000 / 1760	1015 / 1775	1065 / 1805	1075 / 1825	1090 / 1850	1000 / 1760	1015 / 1775	1065 / 1805	1075 / 1825	1090 / 1850		
2.3		Axle load unladen front/rear	kg	830 / 330	845 / 345	880 / 390	900 / 400	925 / 415	830 / 330	845 / 345	880 / 390	900 / 400	925 / 415		
Wheels/suspension system	3.1	Tyres		Polyurethan (PU)											
	3.2	Tyre size, front		Ø230 x 70											
	3.3	Tyre size, rear		Ø84 x 70											
	3.4	Additional wheels		Ø150 x 54											
	3.5	Wheels, number front/back (x=driven)		1x+1/4											
	3.6	Tread width, front	b <sub>10</sub> mm	510											
	3.7	Tread width, rear	b <sub>11</sub> mm	390											
Basic dimensions	4.2	Retracted mast height (h <sub>1</sub> )	h <sub>1</sub> mm	1958	2308	1908	2108	2410	1958	2308	1908	2108	2410		
	4.3	Free lift (h <sub>2</sub> )	h <sub>2</sub> mm	-		1320	1520	1820	-		1320	1520	1820		
	4.4	Lift (h <sub>3</sub> )	h <sub>3</sub> mm	2830	3530	3930	4530	5430	2830	3530	3930	4530	5430		
	4.5	Extended mast height (h <sub>4</sub> )	h <sub>4</sub> mm	3380	4080	4480	5080	6110	3380	4080	4480	5080	6110		
	4.9	Height of tiller handle in drive position min./max.	mm	950 / 1350											
	4.15	Height, lowered	h <sub>13</sub> mm	90											
	4.19	Overall length	l <sub>1</sub> mm	1896											
	4.20	Length including fork shank	l <sub>2</sub> mm	746											
	4.21.1	Overall width	b <sub>1</sub> mm	790											
	4.22	Fork dimensions	s/ e/l mm	60 x 180 x 1150											
	4.25	Width across forks	b <sub>5</sub> mm	570					685						
	4.32	Ground clearance centre of wheelbase	m <sub>2</sub> mm	28											
	4.34	Aisle width (pallet 1000x1200 sideways)	Ast mm	2325											
	4.34.1	Aisle width (pallet 800x1200 length)	Ast mm	2290											
	4.35	Turning radius	W <sub>a</sub> mm	1420											
Performance data	5.1	Travel speed laden/unladen	km/h	6 / 7											
	5.2	Lift speed laden/unladen	m/s	0.13 / 0.2											
	5.3	Lowering speed laden/unladen	m/s	0.28 / 0.23											

	5.8	Max. gradeability laden/unladen	%	6 / 12
	5.10	Service brake		elektromagnetisch
E-motor/Electronics	6.1	Drive motor, performance S2 60 min	kW	1.4
	6.2	Lift motor, performance with S3	kW	3.2
	6.4	Battery voltage/nominal capacity	V / Ah	24 / 240
	6.5	Battery weight	kg	210
Other	8.1	Type of drive control		AC
	10.7	Sound level as per EN12053, operator's ear	dB (A)	70

- This data sheet according to VDI guideline 2198 only states the technical values of the standard truck. Different tyres, other masts, additional equipment etc. may result in different values.

The German production facilities in  
Norderstedt, Moosburg and Landsberg  
are certified.

ISO 9001  
ISO 14001

 **JUNGHEINRICH**