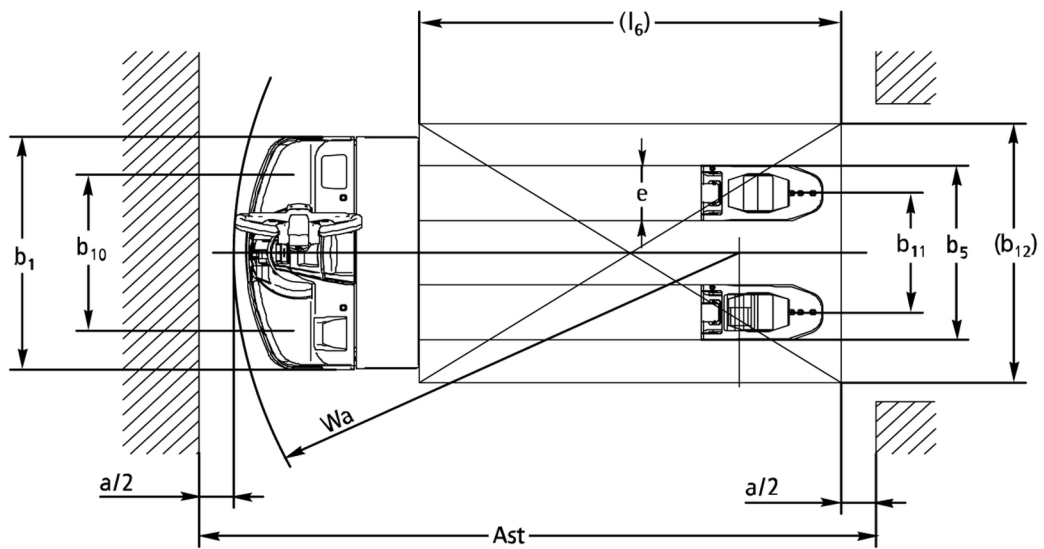
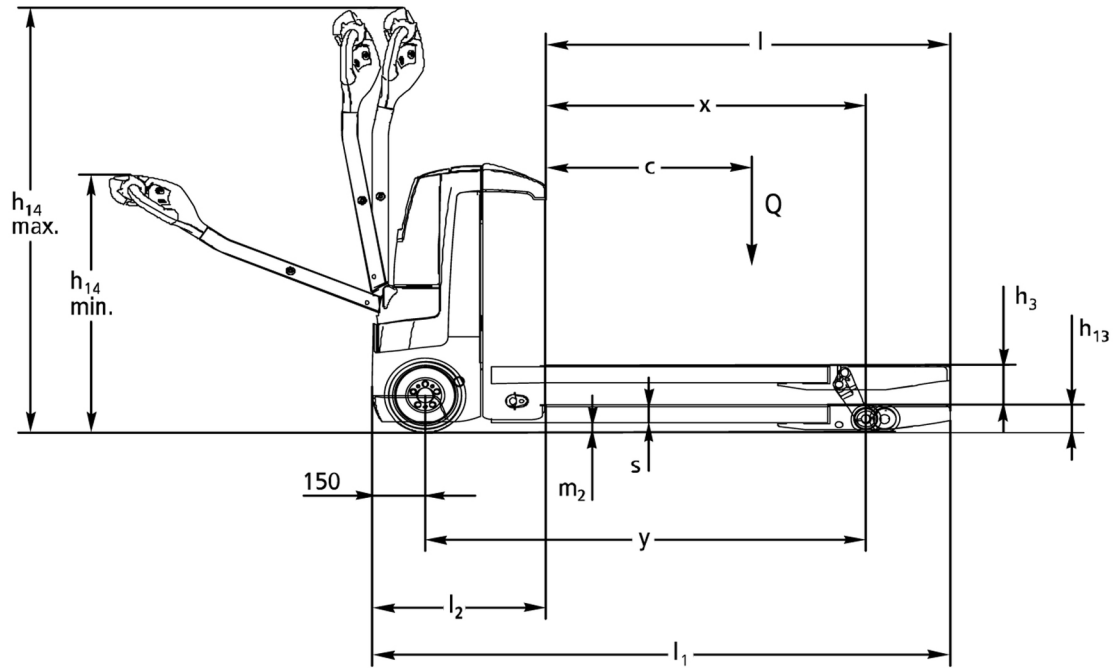




## **Electric pedestrian pallet truck** **EJE 116n / 120n**

**Load capacity: 1600-2200 kg**

# EJE 116n / 120n



# VDI table

Stand-on: 04/2022

Characteristic	1.1	Manufacturer (abbreviated description)	Jungheinrich					
	1.2	Manufacturer's type designation	EJE 116n	EJE 120n				
Characteristic	1.3	Drive	Elektro					
	1.4	Operation	Geh					
	1.5	Load capacity/load	Q	kg	1600	2000		
	1.6	Load centre distance	c	mm	600			
	1.8	Load distance, centre of drive axle to fork	x	mm	911			
	1.9	Wheelbase	y	mm	1255			
	Weights	2.1.1	Service weight (incl. battery)			kg	439	441
		2.2	Axle load laden front/rear			kg	737 / 1302	809 / 1632
		2.3	Axle load unladen front/rear			kg	346 / 93	347 / 94
Wheels/suspension system	3.1	Tyres	Polyurethan (PU)					
	3.2	Tyre size, front	230x70					
	3.3	Tyre size, rear	85x110/85x85					
	3.4	Additional wheels	100x40					
	3.5	Wheels, number front/back (x=driven)	1x+2/2or4					
	3.6	Tread width, front	b <sub>10</sub>	mm	508			
	3.7	Tread width, rear	b <sub>11</sub>	mm	368			
Basic dimensions	4.4	Lift (h <sub>3</sub> )	h <sub>3</sub>	mm	122			
	4.9	Height of tiller handle in drive position min./max.			mm	797 / 1313		
	4.15	Height, lowered	h <sub>13</sub>	mm	85			
	4.19	Overall length	l <sub>1</sub>	mm	1644			
	4.20	Length including fork shank	l <sub>2</sub>	mm	494			
	4.21.1	Overall width	b <sub>1</sub>	mm	720			
	4.21.2	Overall width	b <sub>2</sub>	mm	720			
	4.22	Fork dimensions	s/e/l	mm	55 x 172 x 1150			
	4.25	Width across forks	b <sub>5</sub>	mm	540			
	4.32	Ground clearance centre of wheelbase	m <sub>2</sub>	mm	30			
	4.34	Aisle width (pallet 1000x1200 sideways)	Ast	mm	1879			
	4.34.1	Aisle width (pallet 800x1200 length)	Ast	mm	1929			
	4.35	Turning radius	W <sub>a</sub>	mm	1440			
Performance data	5.1	Travel speed laden/unladen			km/h	6 / 6		
	5.2	Lift speed laden/unladen			m/s	0.04 / 0.05		
	5.3	Lowering speed laden/unladen			m/s	0.05 / 0.04		
	5.8	Max. gradeability laden/unladen			%	8 / 20		
	5.10	Service brake			elektrisch			
E-motor/Electronics	6.1	Drive motor, performance S2 60 min			kW	1		
	6.2	Lift motor, performance with S3			kW	2.2		
	6.3	Battery according to DIN 43531/35/36			nein/B			
	6.4	Battery voltage/nominal capacity			V / Ah	24 / 150		
	6.5	Battery weight			kg	151		
	6.6.1	Energy consumption according to EN cycle			kWh/h	0.36	0.44	
	6.6.2	CO2 equivalent as per EN 16796			kg/h	0.2		

Other	8.1	Type of drive control		AC
	10.7	Sound level as per EN12053, operator's ear	dB (A)	70

- This data sheet according to VDI guideline 2198 only states the technical values of the standard truck. Different tyres, other masts, additional equipment etc. may result in different values.

The German production facilities in  
Norderstedt, Moosburg and Landsberg  
are certified.

ISO 9001  
ISO 14001

 **JUNGHEINRICH**