

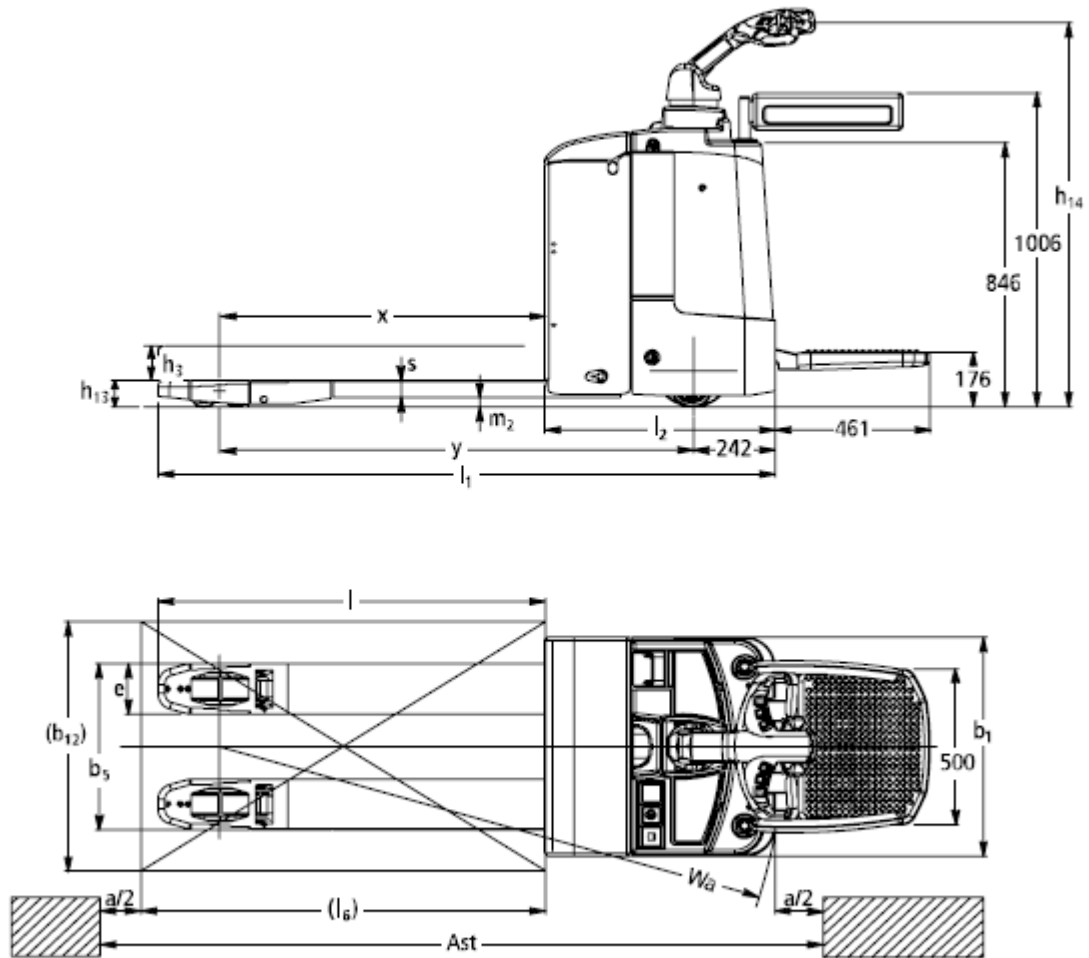


## **Electric ride-on/pedestrian pallet truck**

### **ERE 120n**

Lift height: 122 mm / Load capacity: 2000 kg

# ERE 120n



# VDI table

Stand-on: 04/2022

Characteristic	1.1	Manufacturer (abbreviated description)		Jungheinrich	
	1.2	Manufacturer's type designation		<b>ERE 120n</b>	
	1.3	Drive		Elektro	
	1.4	Operation		Stand/Geh	
	1.5	Load capacity/load	Q	kg	2000
	1.6	Load centre distance	c	mm	600
	1.8	Load distance, centre of drive axle to fork	x	mm	910
	1.9	Wheelbase	y	mm	1350
	Weights	2.1.1	Service weight (incl. battery)		kg
2.2		Axle load laden front/rear		kg	990 / 1768
2.3		Axle load unladen front/rear		kg	594 / 164
Wheels/suspension system	3.1	Tyres			Polyurethan (PU)
	3.2	Tyre size, front			Ø 230 x 70
	3.3	Tyre size, rear			Ø 85 x 100/Ø 82 x 70
	3.4	Additional wheels			Ø 125 x 54
	3.5	Wheels, number front/back (x=driven)			1x+2/2 or 4
	3.6	Tread width, front	b <sub>10</sub>	mm	464
	3.7	Tread width, rear	b <sub>11</sub>	mm	370
Basic dimensions	4.4	Lift (h <sub>3</sub> )	h <sub>3</sub>	mm	122
	4.9	Height of tiller handle in drive position min./max.		mm	1130 / 1450
	4.15	Height, lowered	h <sub>13</sub>	mm	85
	4.19	Overall length	l <sub>1</sub>	mm	1832
	4.20	Length including fork shank	l <sub>2</sub>	mm	682
	4.21.1	Overall width	b <sub>1</sub>	mm	700
	4.22	Fork dimensions	s/e/l	mm	55 x 162 x 1150
	4.25	Width across forks	b <sub>5</sub>	mm	530
	4.32	Ground clearance centre of wheelbase	m <sub>2</sub>	mm	30
	4.34	Aisle width (pallet 1000x1200 sideways)	Ast	mm	2056
	4.34.1	Aisle width (pallet 800x1200 length)	Ast	mm	2106
4.35	Turning radius	W <sub>a</sub>	mm	1616	
Performance data	5.1	Travel speed laden/unladen		km/h	7.5 / 8.5
	5.2	Lift speed laden/unladen		m/s	0.05 / 0.06
	5.3	Lowering speed laden/unladen		m/s	0.06 / 0.04
	5.7	Gradeability laden/unladen		%	3 / 6
	5.8	Max. gradeability laden/unladen		%	8 / 16
	5.10	Service brake			regenerativ
E-motor/Electronics	6.1	Drive motor, performance S2 60 min		kW	1.6
	6.2	Lift motor, performance with S3		kW	2.2
	6.3	Battery according to DIN 43531/35/36			B
	6.4	Battery voltage/nominal capacity		V / Ah	24 / 250
	6.5	Battery weight		kg	210
	6.6.1	Energy consumption according to EN cycle		kWh/h	0.55
	6.6.2	CO2 equivalent as per EN 16796		kg/h	0.3

Other	8.1	Type of drive control		AC
	10.7	Sound level as per EN12053, operator's ear	dB (A)	66

- This data sheet according to VDI guideline 2198 only states the technical values of the standard truck. Different tyres, other masts, additional equipment etc. may result in different values.

The German production facilities in  
Norderstedt, Moosburg and Landsberg  
are certified.

ISO 9001  
ISO 14001

 **JUNGHEINRICH**