



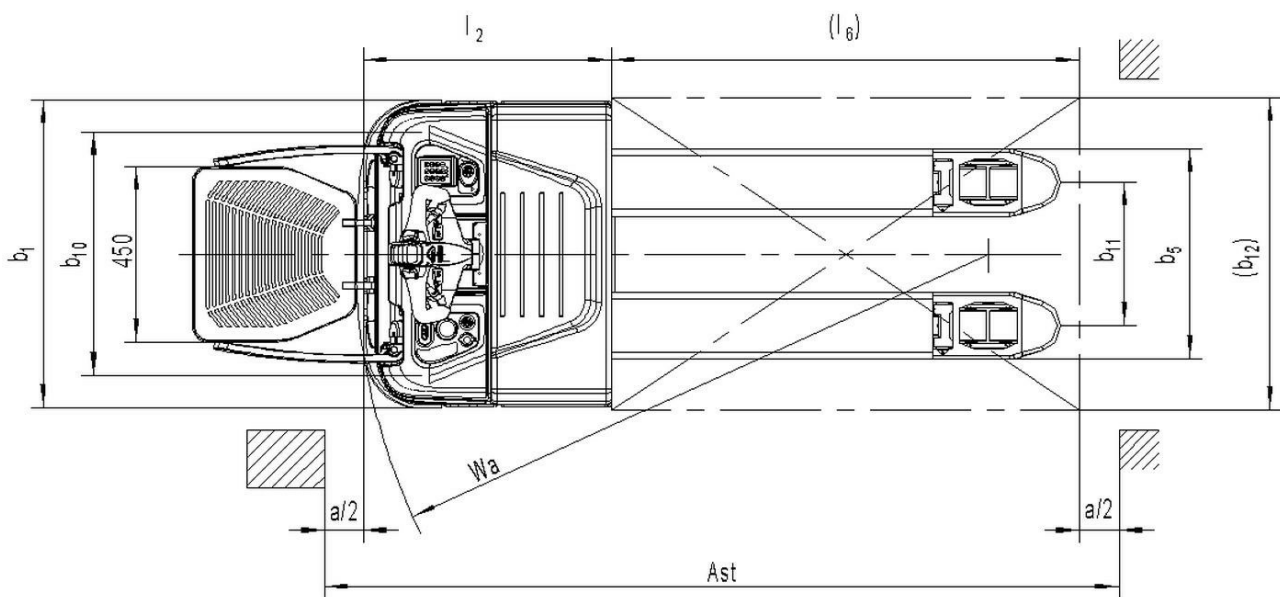
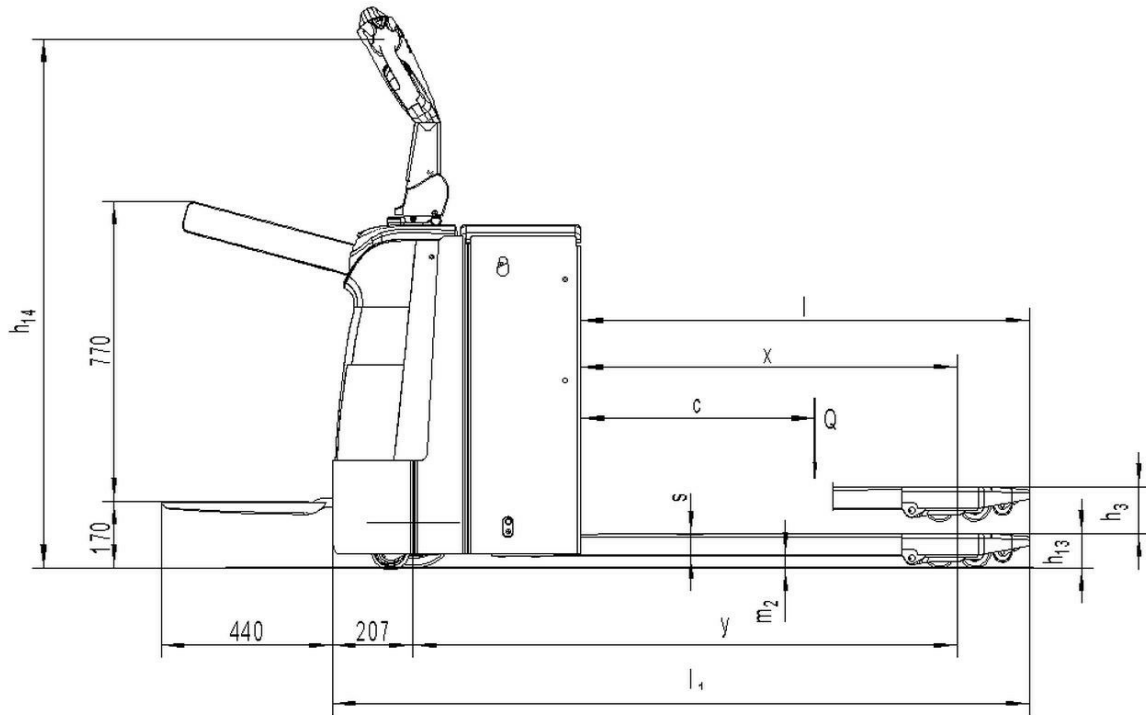
Electric pallet truck

ERE BB 220

Load capacity: 2000 kg

 **JUNGHEINRICH**

ERE BB 220



VDI table

Stand-on: 04/2022

Characteristic	1.1	Manufacturer (abbreviated description)		Jungheinrich	
	1.2	Manufacturer's type designation		ERE BB 220	
	1.3	Drive		Elektro	
	1.4	Operation		Stand/Geh	
	1.5	Load capacity/load	Q	kg	2000
	1.6	Load centre distance	c	mm	600
	1.8	Load distance, centre of drive axle to fork	x	mm	892
	1.9	Wheelbase	y	mm	1330
	Weights	2.1	Service weight		kg
2.2		Axle load laden front/rear		kg	1050 / 1500
2.3		Axle load unladen front/rear		kg	440 / 110
Wheels/suspension system	3.1	Tyres			Polyurethan (PU)
	3.2	Tyre size, front			Ø230 x 70
	3.3	Tyre size, rear			Ø84x84
	3.4	Additional wheels			Ø100x40
	3.5	Wheels, number front/back (x=driven)			1x+2/4
	3.6	Tread width, front	b ₁₀	mm	540
	3.7	Tread width, rear	b ₁₁	mm	367 512
Basic dimensions	4.4	Lift (h ₃)	h ₃	mm	120
	4.9	Height of tiller handle in drive position min./max.		mm	950 / 1350
	4.15	Height, lowered	h ₁₃	mm	85
	4.19	Overall length	l ₁	mm	1790
	4.20	Length including fork shank	l ₂	mm	640
	4.21.1	Overall width	b ₁	mm	790
	4.22	Fork dimensions	s/e/l	mm	55 x 173 x 1150
	4.25	Width across forks	b ₅	mm	540 685
	4.32	Ground clearance centre of wheelbase	m ₂	mm	30
	4.34	Aisle width (pallet 1000x1200 sideways)	Ast	mm	2400
	4.34.1	Aisle width (pallet 800x1200 length)	Ast	mm	2290
4.35	Turning radius	W _a	mm	1585	
Performance data	5.1	Travel speed laden/unladen		km/h	7.5 / 8
	5.2	Lift speed laden/unladen		m/s	0.02 / 0.03
	5.3	Lowering speed laden/unladen		m/s	0.03 / 0.02
	5.8	Max. gradeability laden/unladen		%	8 / 15
	5.10	Service brake			elektromagnetisch
E-motor/ Electronics	6.1	Drive motor, performance S2 60 min		kW	1.4
	6.2	Lift motor, performance with S3		kW	2.2
	6.4	Battery voltage/nominal capacity		V / Ah	24 / 160
	6.5	Battery weight		kg	155
Other	8.1	Type of drive control			AC
	10.7	Sound level as per EN12053, operator's ear		dB (A)	67

- This data sheet according to VDI guideline 2198 only states the technical values of the standard truck. Different tyres, other masts, additional equipment etc. may result in different values.

The German production facilities in
Norderstedt, Moosburg and Landsberg
are certified.

ISO 9001
ISO 14001

 **JUNGHEINRICH**