



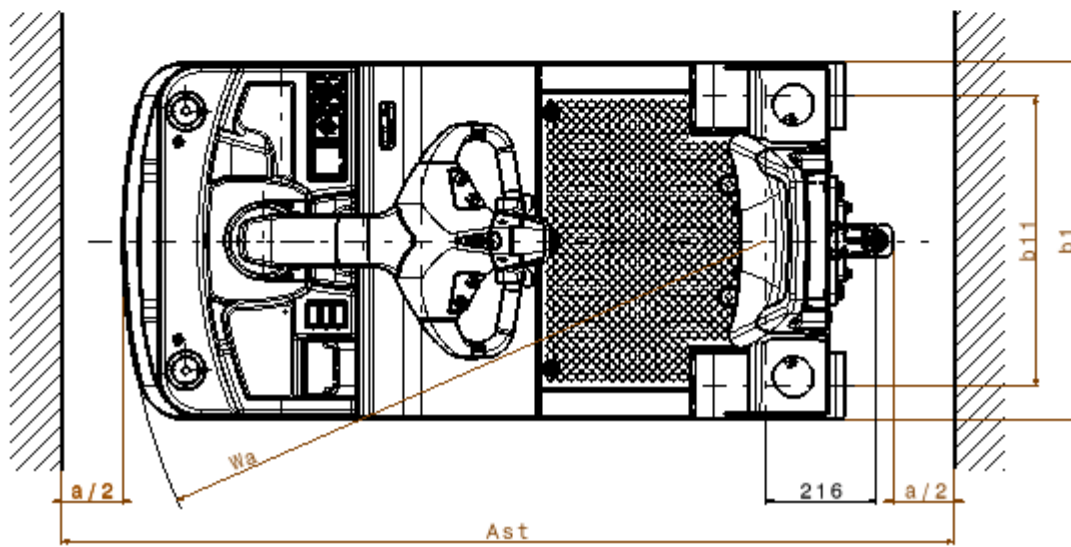
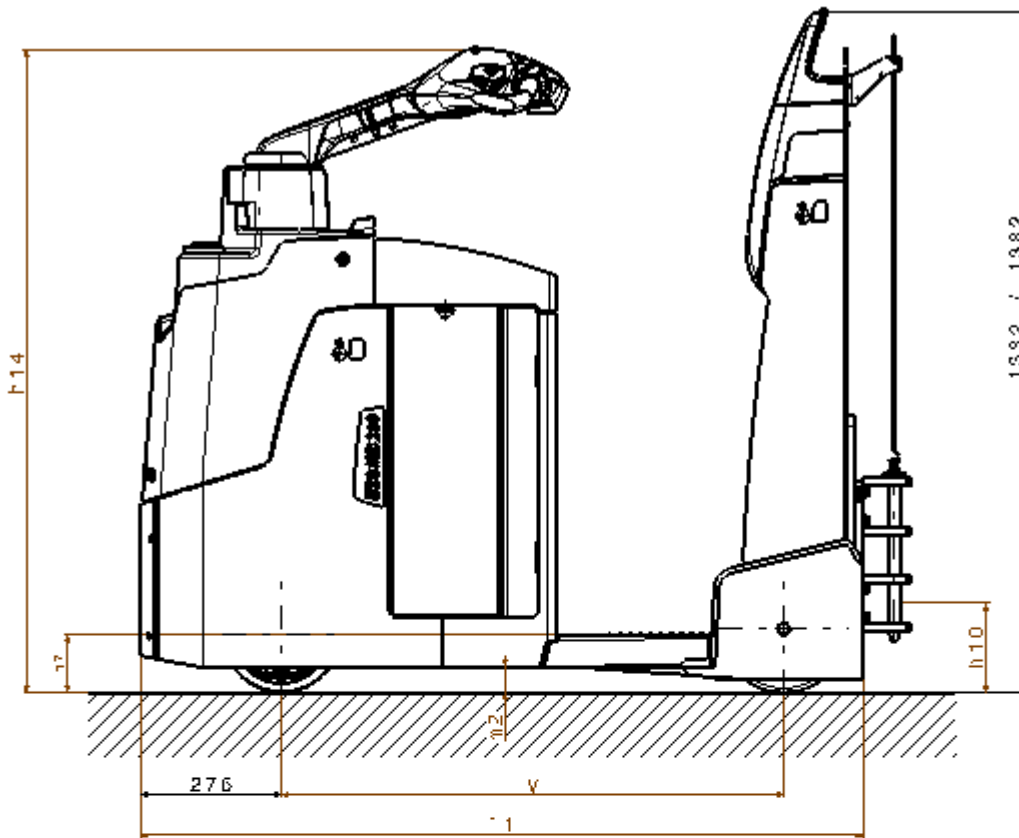
# Electric tow tractor

## **EZS MB 230**

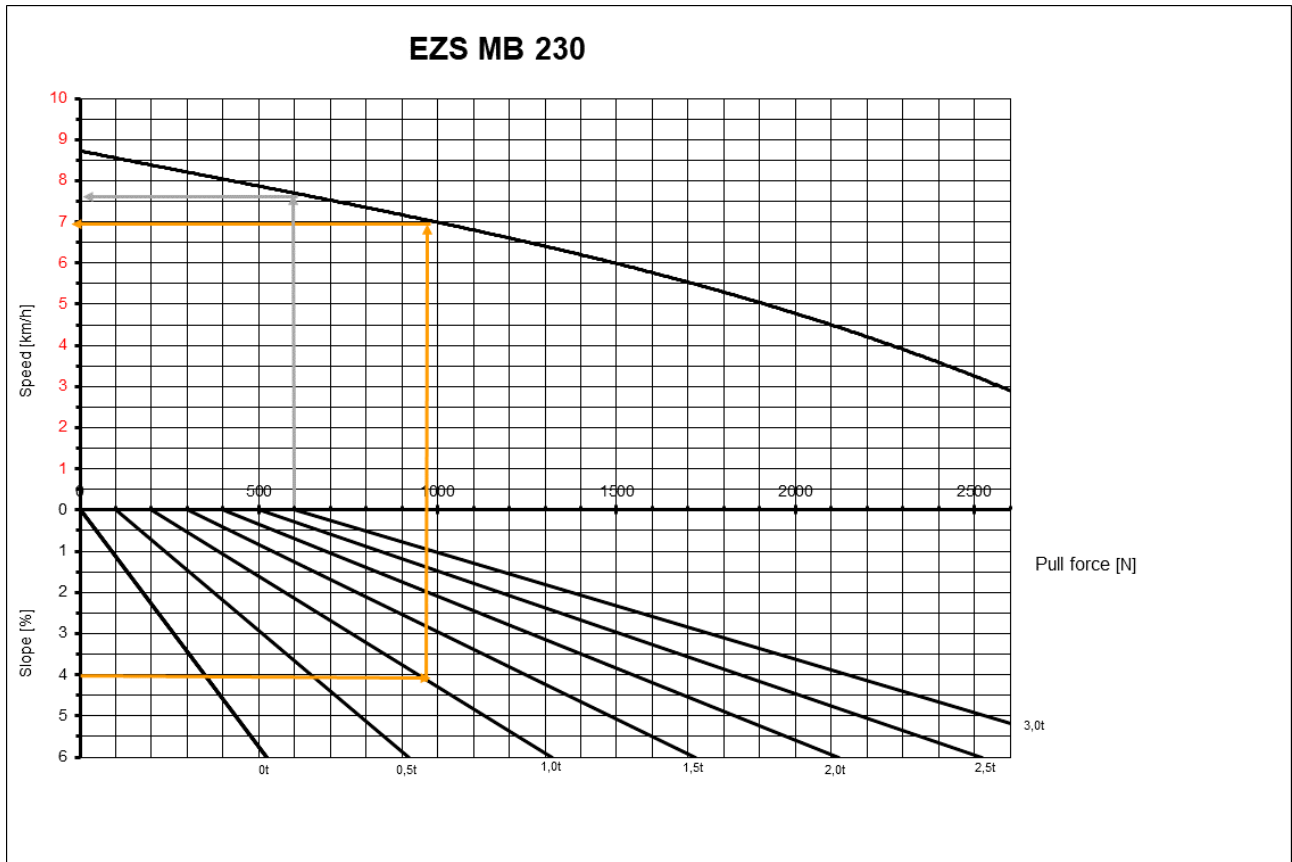
Towing capacity: 3000 kg

# EZS MB 230

Truck-Layout



# EZS MB 230



# VDI table

Stand-on: 04/2022

Characteristic	1.1	Manufacturer (abbreviated description)		Jungheinrich
	1.3	Drive		Elektro
	1.4	Operation		Stand
	1.5.3	Towing capacity	Q kg	3000
	1.7	Rated drawbar pull	N	750
	1.9	Wheelbase	y mm	982
Weights	2.1.1	Service weight (incl. battery)	kg	782
	2.3	Axle load unladen front/rear	kg	412 / 370
Wheels/suspension system	3.1	Tyres		Polyurethan (PU) / Superelastik (SE)
	3.2	Tyre size, front		Ø230 x 70
	3.3	Tyre size, rear		Ø250 x 80
	3.5	Wheels, number front/back (x=driven)		1x / 2
	3.7	Tread width, rear	b <sub>11</sub> mm	568
Basic dimensions	4.8	Seat height/stand height	h <sub>7</sub> mm	118
	4.9	Height of tiller handle in drive position min./max.	mm	1262 / 1262
	4.12	Coupling height	h <sub>10</sub> mm	175
	4.19	Overall length	l <sub>1</sub> mm	1416
	4.21.1	Overall width	b <sub>1</sub> mm	700
	4.32	Ground clearance centre of wheelbase	m <sub>2</sub> mm	50
	4.35	Turning radius	W <sub>a</sub> mm	1261
Performance data	5.1	Travel speed laden/unladen	km/h	7.5 / 8.5
	5.5	Drawbar pull laden	N	750
	5.6	Max. drawbar pull laden/unladen	N	2600 / 2600
	5.10	Service brake		elektromagnetisch
E-motor/ Electronics	6.1	Drive motor, performance S2 60 min	kW	1.6
	6.4	Battery voltage/nominal capacity	V / Ah	24 / 250
	6.5	Battery weight	kg	210
Other	8.1	Type of drive control		AC SpeedControl
	10.5	Steering version		Elektrische Servolenkung
	10.7	Sound level as per EN12053, operator's ear	dB (A)	64

- This data sheet according to VDI guideline 2198 only states the technical values of the standard truck. Different tyres, other masts, additional equipment etc. may result in different values.

The German production facilities in  
Norderstedt, Moosburg and Landsberg  
are certified.

ISO 9001  
ISO 14001

Jungheinrich fork lift trucks meet  
European safety requirements.



 **JUNGHEINRICH**

The Jungheinrich logo, featuring a red upward-pointing arrow above the word 'JUNGHEINRICH' in a bold, black, sans-serif font.