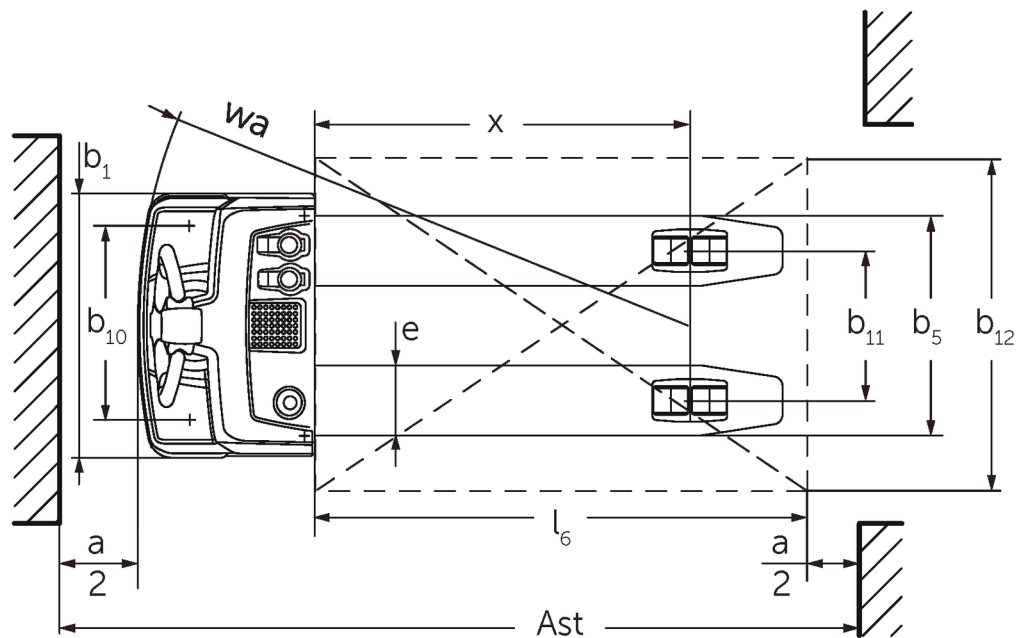
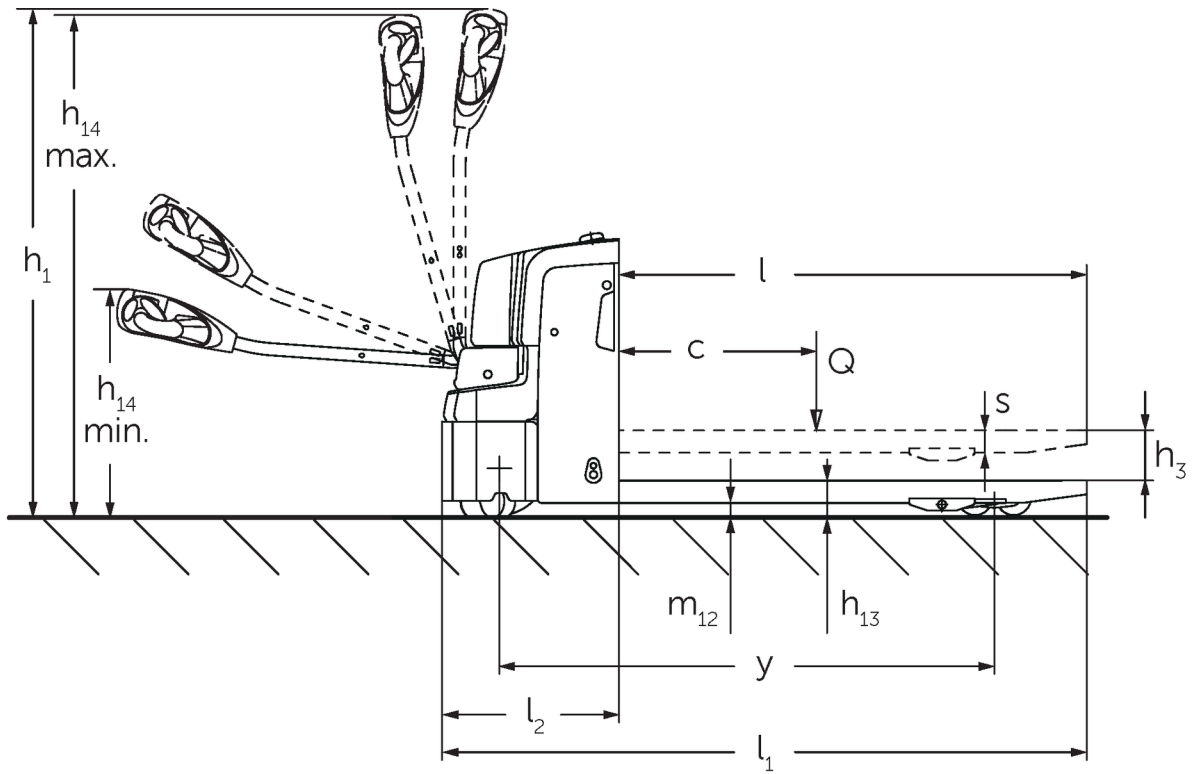




Electric pedestrian pallet truck **EJE M13 / M15**

Lift height: 120 mm / Load capacity: 1300-1500 kg

EJE M13 / M15



Characteristic	1.1	Manufacturer (abbreviated description)	Jungheinrich												
	1.2	Manufacturer's type designation	EJE M13/M15												
	1.3	Drive	Elektro												
	1.4	Operation	Geh												
	1.5	Load capacity/load	Q	kg	1300	1500	1300	1500							
	1.6	Load centre distance	c	mm	600										
	1.8	Load distance, centre of drive axle to fork	x	mm	894	914	764	914	894	914	764	914	894	764	914
	1.9	Wheelbase	y	mm	1212	1062	1212	1062	1212	1062	1212	1062	1212	1062	1212
	Weights	2.1.1	Service weight (incl. battery)	kg	244	219	199	224	199	224	199	224	199		
2.2		Axle load laden front/rear	kg	735 / 809	703 / 816	700 / 1019	703 / 816	735 / 809	703 / 816	700 / 1019	730 / 1014	700 / 1019			
2.3		Axle load unladen front/rear	kg	176 / 68	166 / 53	176 / 68	166 / 53	176 / 68	166 / 53	176 / 68	166 / 53				
Wheels/suspension system	3.1	Tyres	TPU/PU												
	3.2	Tyre size, front	Ø230x65												
	3.3	Tyre size, rear	Ø80x70												
	3.4	Additional wheels	2 x Ø80x40												
	3.5	Wheels, number front/back (x=driven)	1x+2/4												
	3.6	Tread width, front	b ₁₀	mm	460										
	3.7	Tread width, rear	b ₁₁	mm	368										
Basic dimensions	4.4	Lift (h ₃)	h ₃	mm	120										
	4.9	Height of tiller handle in drive position min./max.	mm	740 / 1190											
	4.15	Height, lowered	h ₁₃	mm	90	85	90	85	90	85					
	4.19	Overall length	l ₁	mm	1605	1585	1435	1585	1605	1585	1435	1585	1605	1435	1585
	4.20	Length including fork shank	l ₂	mm	455	435	455	435	455	435	455	435			
	4.21.1	Overall width	b ₁	mm	650	670	650	670	650	670	650	670			
	4.22	Fork dimensions	s/ e/l	mm	60 x 182 x 1150	55 x 172 x 1150	55 x 172 x 1000	55 x 172 x 1150	60 x 182 x 1150	55 x 172 x 1150	55 x 172 x 1000	55 x 172 x 1150	60 x 182 x 1150	55 x 172 x 1000	55 x 172 x 1150
	4.25	Width across forks	b ₅	mm	550	670	540	670	540	550	670	540	550	670	
	4.32	Ground clearance centre of wheelbase	m ₂	mm	35										
	4.34.1	Aisle width (pallet 1000x1200 sideways)	Ast	mm	1663	1643	1493	1643	1663	1643	1493	1643	1663	1493	1643
	4.34.2	Aisle width (pallet 800x1200 length)	Ast	mm	1863	1843	1693	1843	1863	1843	1693	1843	1863	1693	1843
	4.35	Turning radius	W _a	mm	1357	1207	1357	1207	1357	1207	1357	1207	1357	1207	1357
	Performance data	5.1	Travel speed laden/unladen	km/h	4.5 / 5										
5.2		Lift speed laden/unladen	m/s	0.05 / 0.06											
5.3		Lowering speed laden/unladen	m/s	0.08 / 0.04											
5.8		Max. gradeability laden/unladen	%	4 / 10											
5.10		Service brake		elektrisch											

E-motor/Electronics	6.1	Drive motor, performance S2 60 min	kW	0.6			
	6.2	Lift motor, performance with S3	kW	1.2			
	6.3	Battery according to DIN 43531/35/36		nein			
	6.4	Battery voltage/nominal capacity	V / Ah	24 / 65	24 / 90	25.6 / 50	
	6.5	Battery weight	kg	35	53	15	
	6.6.1	Energy consumption according to EN cycle	kWh/h	0.24	0.27	0.24	0.27
	6.6.2	CO2 equivalent as per EN 16796	kg/h	0.1	0.2	0.1	0.2
Other	8.1	Type of drive control		AC			
	10.7	Sound level as per EN12053, operator's ear	dB (A)	66			

- This data sheet according to VDI guideline 2198 only states the technical values of the standard truck. Different tyres, other masts, additional equipment etc. may result in different values.

The German production facilities in
Norderstedt, Moosburg and Landsberg
are certified.

ISO 9001
ISO 14001

Jungheinrich fork lift trucks meet
European safety requirements.



 **JUNGHEINRICH**

The Jungheinrich logo, featuring a red upward-pointing arrow above the word 'JUNGHEINRICH' in a bold, black, sans-serif font.