



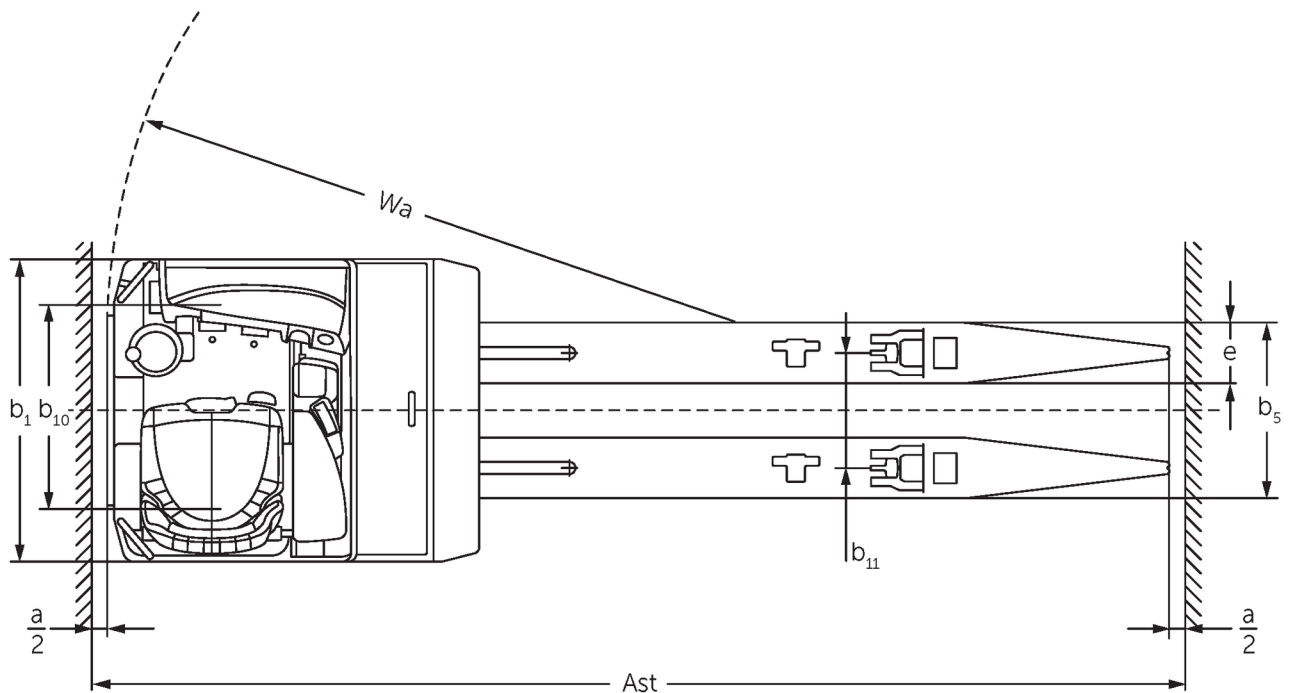
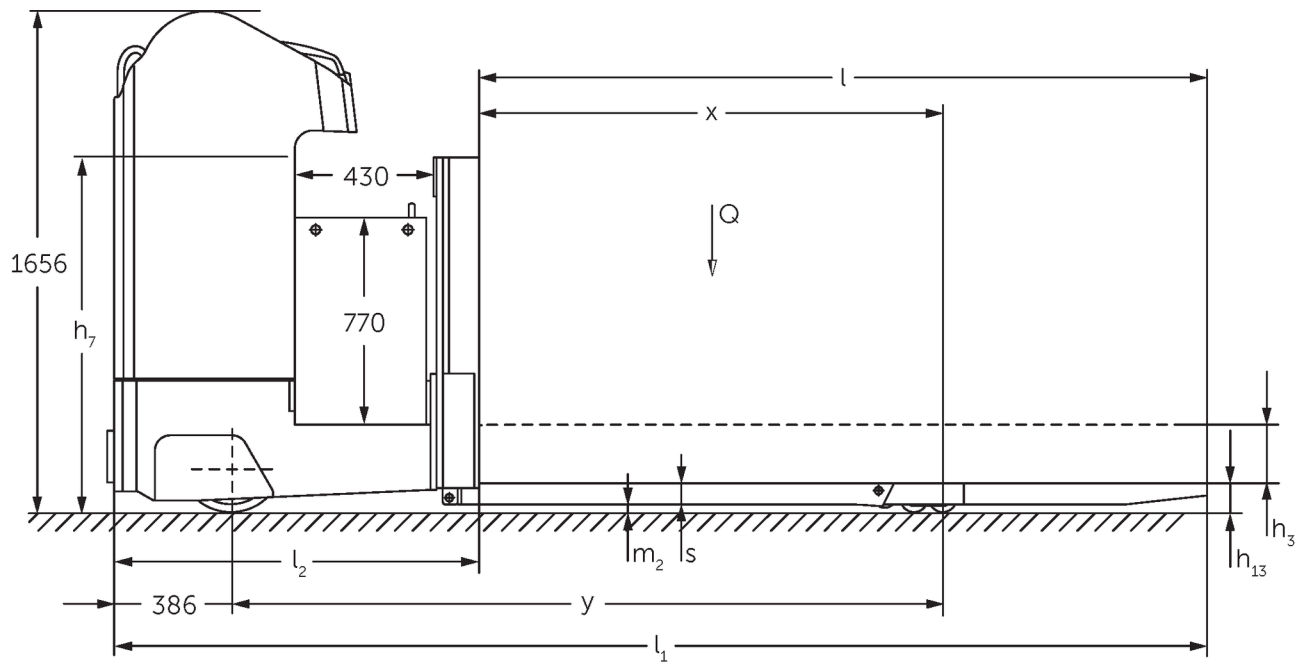
Electric stand-on/sideways-seated pallet truck

ESE 430

Lift height: 115 mm / Load capacity: 3000 kg

JUNGHEINRICH

ESE 430



TZ ESE 430 022014

VDI table

Stand-on: 07/2022

Characteristic	1.1	Manufacturer (abbreviated description)		Jungheinrich	
	1.2	Manufacturer's type designation		ESE 430	
	1.3	Drive		Elektro	
	1.4	Operation		Sitz	
	1.5	Load capacity/load	Q	kg	3000
	1.6	Load centre distance	c	mm	1200
	1.8	Load distance, centre of drive axle to fork	x	mm	1480
	1.9	Wheelbase	y	mm	2211
	Weights	2.1.1	Service weight (incl. battery)		kg
2.2		Axle load laden front/rear		kg	2890 / 2980
2.3		Axle load unladen front/rear		kg	1916 / 559
Wheels/suspension system	3.1	Tyres			Vulkollan®
	3.2	Tyre size, front			Ø 343 x 114
	3.3	Tyre size, rear			Ø 90 x 92
	3.4	Additional wheels			Ø 285 x 100
	3.5	Wheels, number front/back (x=driven)			2 - 1x / 4
	3.6	Tread width, front	b ₁₀	mm	604
	3.7	Tread width, rear	b ₁₁	mm	380
Basic dimensions	4.4	Lift (h ₃)	h ₃	mm	115
	4.8	Seat height/stand height	h ₇	mm	1200
	4.15	Height, lowered	h ₁₃	mm	90
	4.19	Overall length	l ₁	mm	3625
	4.20	Length including fork shank	l ₂	mm	1225
	4.21.1	Overall width	b ₁	mm	1000
	4.22	Fork dimensions	s/e/l	mm	70 x 200 x 2400
	4.25	Width across forks	b ₅	mm	580
	4.32	Ground clearance centre of wheelbase	m ₂	mm	20
	4.34.2	Aisle width (pallet 800x1200 length)	A _{st}	mm	3953
	4.35	Turning radius	W _a	mm	2750
Performance data	5.1	Travel speed laden/unladen		km/h	13 / 14
	5.2	Lift speed laden/unladen		m/s	0.06 / 0.06
	5.3	Lowering speed laden/unladen		m/s	0.05 / 0.05
	5.7	Gradeability laden/unladen		%	6 / 15
	5.10	Service brake			elektrisch
E-motor/Electronics	6.1	Drive motor, performance S2 60 min		kW	6.9
	6.2	Lift motor, performance with S3		kW	3
	6.3	Battery according to DIN 43531/35/36			A
	6.4	Battery voltage/nominal capacity		V / Ah	48 / 620
	6.5	Battery weight		kg	945
	6.6.1	Energy consumption according to EN cycle		kWh/h	0.56
	6.6.2	CO2 equivalent as per EN 16796		kg/h	0.3
Other	8.1	Type of drive control			Mosfet/AC

- This data sheet according to VDI guideline 2198 only states the technical values of the standard truck. Different tyres, other masts, additional equipment etc. may result in different values.

The German production facilities in
Norderstedt, Moosburg and Landsberg
are certified.

ISO 9001
ISO 14001

Jungheinrich fork lift trucks meet
European safety requirements.



 **JUNGHEINRICH**