



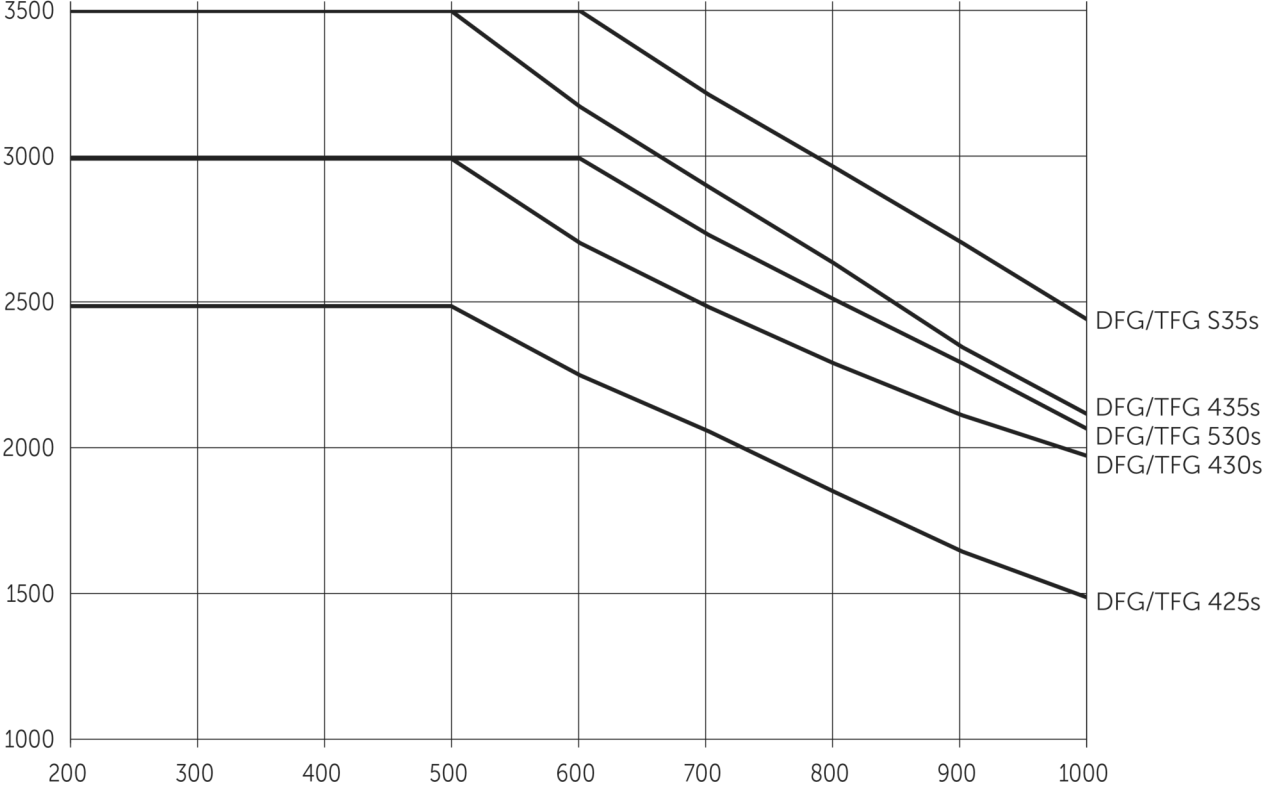
LPG forklift truck

TFG 425s-S35s

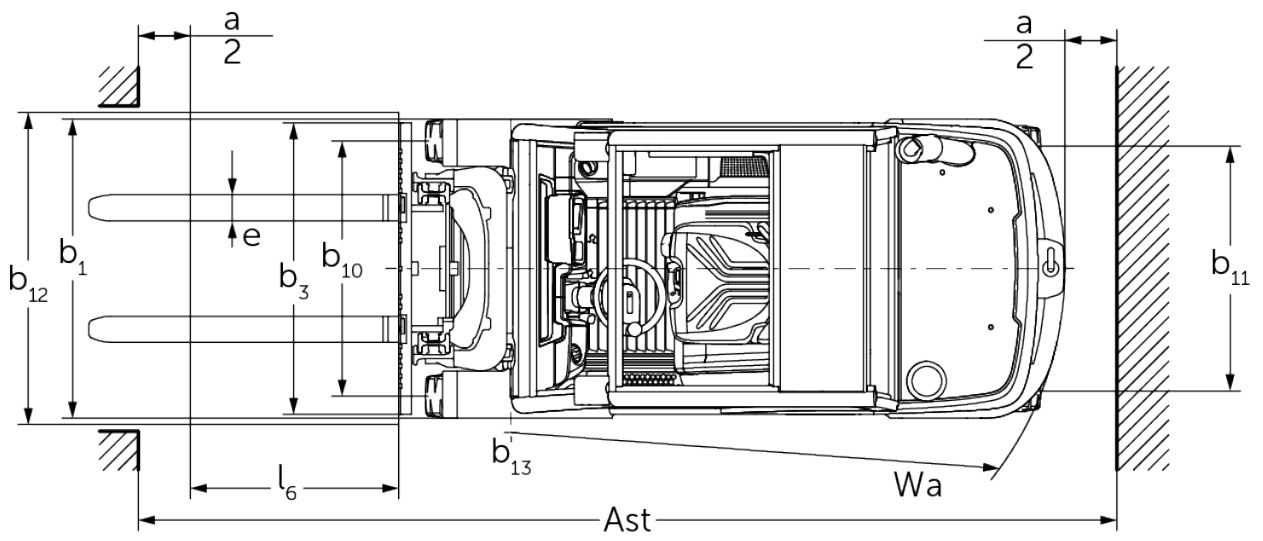
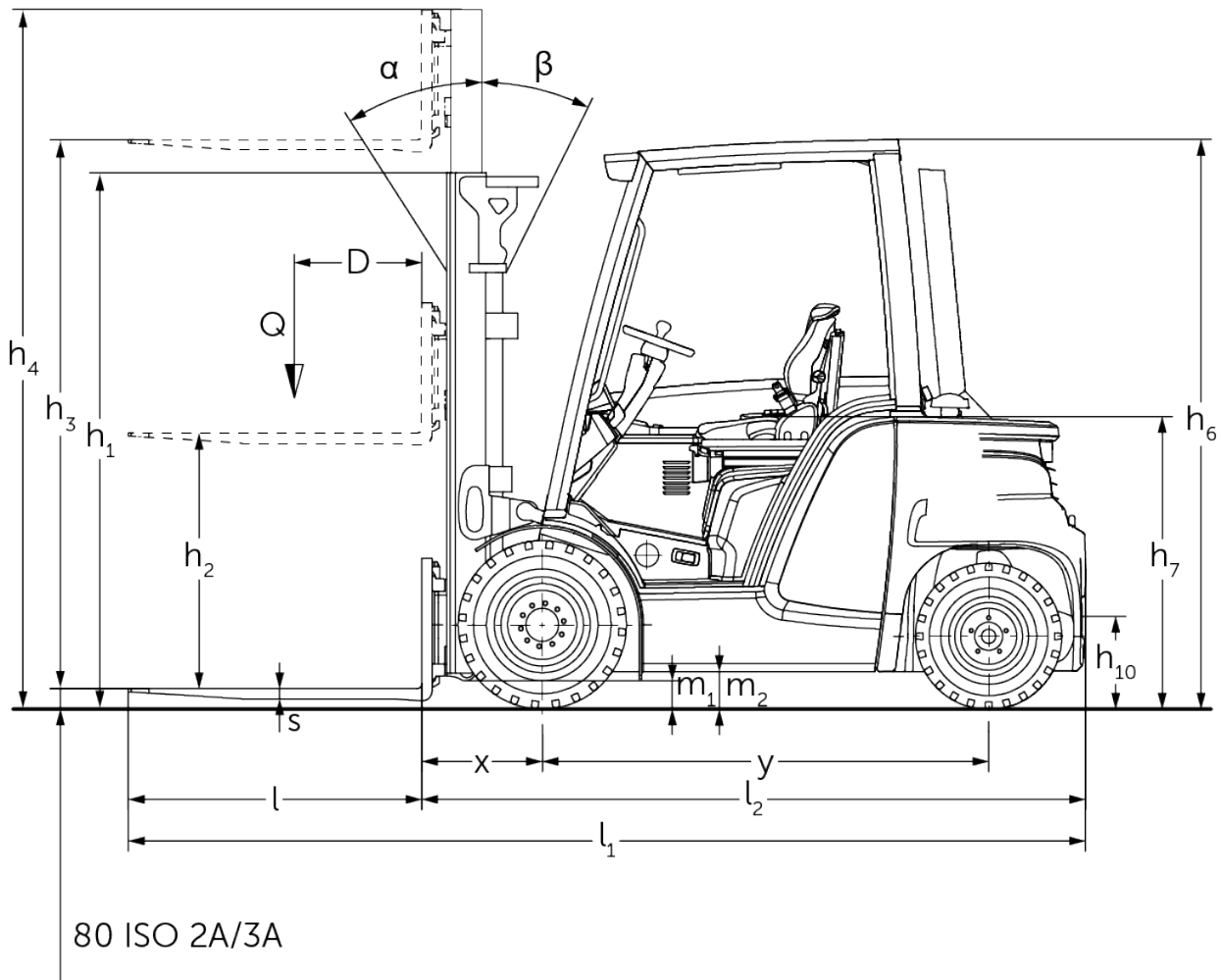
Lift height: 2900-7500 mm / Load capacity: 2500-3500 kg

 JUNGHEINRICH

TFG 425s-S35s



TFG 425s-S35s



TFG 425s-S35s

TFG 425s	Lift (h3)	Retracted mast height (h1)	Free lift (h2)	Extended mast height (h4)	Forward/backward tilt of mast
Duplex mast ZT	2900 mm	2121 mm	150 mm	3651 mm	6 / 8 °
	3100 mm	2221 mm	150 mm	3851 mm	6 / 8 °
	3300 mm	2321 mm	150 mm	4051 mm	6 / 8 °
	3500 mm	2421 mm	150 mm	4251 mm	6 / 8 °
	3700 mm	2521 mm	150 mm	4451 mm	6 / 8 °
	4000 mm	2671 mm	150 mm	4751 mm	6 / 8 °
	4300 mm	2871 mm	150 mm	5051 mm	6 / 8 °
	4500 mm	2971 mm	150 mm	5251 mm	6 / 8 °
	4700 mm	3071 mm	150 mm	5451 mm	6 / 6 °
	5000 mm	3221 mm	150 mm	5751 mm	6 / 6 °
Duplex mast ZZ	3100 mm	2186 mm	1600 mm	3686 mm	6 / 8 °
	3300 mm	2286 mm	1700 mm	3886 mm	6 / 8 °
	3500 mm	2386 mm	1800 mm	4086 mm	6 / 8 °
	3700 mm	2486 mm	1900 mm	4286 mm	6 / 8 °
	4000 mm	2636 mm	2050 mm	4586 mm	6 / 8 °
Triplex mast DZ	4400 mm	2086 mm	1500 mm	4986 mm	6 / 8 °
	4700 mm	2186 mm	1600 mm	5286 mm	6 / 8 °
	5000 mm	2286 mm	1700 mm	5586 mm	6 / 6 °
	5500 mm	2486 mm	1900 mm	6086 mm	6 / 6 °
	6000 mm	2686 mm	2100 mm	6586 mm	6 / 6 °
	6500 mm	2886 mm	2300 mm	7086 mm	6 / 6 °
	7000 mm	3086 mm	2500 mm	7586 mm	6 / 6 °
	7500 mm	3286 mm	2700 mm	8086 mm	6 / 6 °
TFG 430s, TFG S30s	Lift (h3)	Retracted mast height (h1)	Free lift (h2)	Extended mast height (h4)	Forward/backward tilt of mast
Duplex mast ZT	2900 mm	2125 mm	150 mm	3660 mm	6 / 8 °
	3100 mm	2225 mm	150 mm	3860 mm	6 / 8 °
	3300 mm	2325 mm	150 mm	4060 mm	6 / 8 °
	3500 mm	2425 mm	150 mm	4260 mm	6 / 8 °
	3700 mm	2525 mm	150 mm	4460 mm	6 / 8 °
	4000 mm	2675 mm	150 mm	4760 mm	6 / 8 °
	4300 mm	2875 mm	150 mm	5060 mm	6 / 8 °
	4500 mm	2975 mm	150 mm	5260 mm	6 / 8 °
	4700 mm	3075 mm	150 mm	5460 mm	6 / 6 °
	5000 mm	3225 mm	150 mm	5760 mm	6 / 6 °
	5500 mm	3525 mm	150 mm	6260 mm	6 / 6 °
	5800 mm	3675 mm	150 mm	6560 mm	6 / 6 °
	6000 mm	3775 mm	150 mm	6760 mm	6 / 6 °
Duplex mast ZZ	3100 mm	2190 mm	1450 mm	3840 mm	6 / 8 °
	3300 mm	2290 mm	1550 mm	4040 mm	6 / 8 °
	3500 mm	2390 mm	1650 mm	4240 mm	6 / 8 °
	3700 mm	2490 mm	1750 mm	4440 mm	6 / 8 °
	4000 mm	2640 mm	1900 mm	4740 mm	6 / 8 °
Triplex mast DZ	4400 mm	2090 mm	1350 mm	5140 mm	6 / 8 °
	4700 mm	2190 mm	1450 mm	5440 mm	6 / 8 °
	5000 mm	2290 mm	1550 mm	5740 mm	6 / 6 °
	5500 mm	2490 mm	1750 mm	6240 mm	6 / 6 °

	6000 mm	2690 mm	1950 mm	6740 mm	6 / 6 °
	6500 mm	2890 mm	2150 mm	7240 mm	6 / 6 °
	7000 mm	3090 mm	2350 mm	7740 mm	6 / 6 °
	7500 mm	3290 mm	2550 mm	8240 mm	6 / 6 °
TFG 435s	Lift (h3)	Retracted mast height (h1)	Free lift (h2)	Extended mast height (h4)	Forward/backward tilt of mast
Duplex mast ZT	2900 mm	2205 mm	150 mm	3689 mm	6 / 8 °
	3100 mm	2305 mm	150 mm	3889 mm	6 / 8 °
	3300 mm	2405 mm	150 mm	4089 mm	6 / 8 °
	3500 mm	2505 mm	150 mm	4289 mm	6 / 8 °
	3700 mm	2605 mm	150 mm	4489 mm	6 / 8 °
	4000 mm	2755 mm	150 mm	4789 mm	6 / 8 °
	4300 mm	2955 mm	150 mm	5089 mm	6 / 8 °
	4500 mm	3055 mm	150 mm	5289 mm	6 / 8 °
	4700 mm	3155 mm	150 mm	5489 mm	6 / 6 °
	5000 mm	3305 mm	150 mm	5789 mm	6 / 6 °
	5500 mm	3605 mm	150 mm	6289 mm	6 / 6 °
	5800 mm	3755 mm	150 mm	6589 mm	6 / 6 °
	6000 mm	3855 mm	150 mm	6789 mm	6 / 6 °
Duplex mast ZZ	2900 mm	2170 mm	1400 mm	3670 mm	6 / 8 °
	3100 mm	2270 mm	1501 mm	3869 mm	6 / 8 °
	3300 mm	2370 mm	1601 mm	4069 mm	6 / 8 °
	3500 mm	2470 mm	1701 mm	4269 mm	6 / 8 °
	3700 mm	2570 mm	1801 mm	4469 mm	6 / 8 °
	4000 mm	2720 mm	1951 mm	4769 mm	6 / 8 °
Triplex mast DZ	4250 mm	2120 mm	1350 mm	5020 mm	6 / 6 °
	4400 mm	2170 mm	1401 mm	5169 mm	6 / 8 °
	4700 mm	2270 mm	1501 mm	5469 mm	6 / 8 °
	5000 mm	2370 mm	1601 mm	5769 mm	6 / 6 °
	5500 mm	2570 mm	1801 mm	6269 mm	6 / 6 °
	6000 mm	2770 mm	2001 mm	6769 mm	6 / 6 °
	6500 mm	2970 mm	2201 mm	7269 mm	6 / 6 °
	7000 mm	3170 mm	2401 mm	7769 mm	6 / 6 °
	7500 mm	3370 mm	2601 mm	8269 mm	6 / 6 °
TFG S35s	Lift (h3)	Retracted mast height (h1)	Free lift (h2)	Extended mast height (h4)	Forward/backward tilt of mast
Duplex mast ZT	2900 mm	2210 mm	150 mm	3697 mm	6 / 8 °
	3100 mm	2310 mm	150 mm	3897 mm	6 / 8 °
	3300 mm	2410 mm	150 mm	4097 mm	6 / 8 °
	3500 mm	2510 mm	150 mm	4297 mm	6 / 8 °
	3700 mm	2610 mm	150 mm	4497 mm	6 / 8 °
	4000 mm	2760 mm	150 mm	4797 mm	6 / 8 °
	4300 mm	2960 mm	150 mm	5097 mm	6 / 8 °
	4500 mm	3060 mm	150 mm	5297 mm	6 / 8 °
	4700 mm	3160 mm	150 mm	5497 mm	6 / 6 °
	5000 mm	3310 mm	150 mm	5797 mm	6 / 6 °
	5500 mm	3610 mm	150 mm	6297 mm	6 / 6 °
	5800 mm	3760 mm	150 mm	6597 mm	6 / 6 °
	6000 mm	3860 mm	150 mm	6797 mm	6 / 6 °
Triplex mast DZ	4250 mm	2125 mm	1348 mm	5027 mm	6 / 6 °
	4400 mm	2175 mm	1398 mm	5177 mm	6 / 8 °
	4700 mm	2275 mm	1498 mm	5477 mm	6 / 8 °

5000 mm	2375 mm	1598 mm	5777 mm	6 / 6 °
5500 mm	2575 mm	1798 mm	6277 mm	6 / 6 °
6000 mm	2775 mm	1998 mm	6777 mm	6 / 6 °
6500 mm	2975 mm	2198 mm	7277 mm	6 / 6 °
7000 mm	3175 mm	2398 mm	7777 mm	6 / 6 °
7500 mm	3375 mm	2598 mm	8277 mm	6 / 6 °

VDI table

Stand-on: 09/2022

Characteristic	1.1	Manufacturer (abbreviated description)	Jungheinrich				
	1.2	Manufacturer's type designation	TFG 425s	TFG 430s	TFG S30s	TFG 435s	TFG S35s
	1.3	Drive	LPG				
	1.4	Operation	Seat				
	1.5	Load capacity/load	Q kg	2500	3000	3500	
	1.6	Load centre distance	c mm	500		600	500 600
	1.8	Load distance, centre of drive axle to fork	x mm	473	493		527
	1.9	Wheelbase	y mm	1750	1820		1880
Weights	2.1	Service weight	kg	3965	4580	4780	4995 5650
	2.2	Axle load laden front/rear	kg	5625 / 830	6715 / 860	6890 / 890	7515 / 985 8048 / 1100
	2.3	Axle load unladen front/rear	kg	1720 / 2245	1990 / 2590	2070 / 2710	2085 / 2910 2450 / 3198
Wheels/suspension system	3.1	Tyres	Super-elastic (SE)				
	3.2	Tyre size, front	7.00-12	27x10-12			355/45-15
	3.3	Tyre size, rear	6.50-10				23x9-10
	3.5	Wheels, number front/back (x=driven)	2x/2				
	3.6	Tread width, front	b ₁₀ mm	1000	1060		1098
	3.7	Tread width, rear	b ₁₁ mm	940			950
	Basic dimensions	4.1	Forward/backward tilt of mast	a/β °	6 / 8		
4.2		Retracted mast height (h1)	h ₁ mm	2321	2325	2405	2410
4.3		Free lift (h2)	h ₂ mm	150			
4.4		Lift (h3)	h ₃ mm	3300			
4.5		Extended mast height (h4)	h ₄ mm	4051	4060	4089	4097
4.7		Height of overhead guard (cab)	h ₆ mm	2215	2235		2242
4.8		Seat height/stand height	h ₇ mm	1165	1180		
4.12		Coupling height	h ₁₀ mm	377	394		
4.19		Overall length	l ₁ mm	3753	3853	3933	4002
4.20		Length including fork shank	l ₂ mm	2603	2703	2783	2852
4.21.1		Overall width	b ₁ mm	1180	1320		1414
4.22		Fork dimensions	s/ e/l mm	40 x 100 x 1150	45 x 125 x 1150		50 x 125 x 1150
4.23		Fork carriage connection class		2A	3A		
4.24		Fork carriage width	b ₃ mm	1120			
4.31		Ground clearance laden under mast	m ₁ mm	112	118	147	154
4.32		Ground clearance centre of wheelbase	m ₂ mm	130	148		
4.34.1		Aisle width (pallet 1000x1200 sideways)	Ast mm	3983	4082	4153	4212
4.34.2	Aisle width (pallet 800x1200 length)	Ast mm	4183	4282	4353	4412	
4.35	Turning radius	W _a mm	2310	2389	2460	2485	
4.36	Smallest pivot point distance	b ₁₃ mm	630			650	
Performance data	5.1	Travel speed laden/unladen	km/h	21.5 / 21.5	22 / 22		
	5.2	Lift speed laden/unladen	m/s	0.56 / 0.56			
	5.3	Lowering speed laden/unladen	m/s	0.56 / 0.56			
	5.5	Drawbar pull laden	N	21700	20700		
	5.7	Gradeability laden/unladen	%	31 / 31	30 / 30	29 / 29	27 / 27 24 / 24
	5.9	Acceleration time laden/unladen	s	5.6 / 5	5.9 / 5.1	6 / 5.2	6.1 / 5.2 5.3 / 5.1
	5.10	Service brake		hydrostatic			

C motor	7.1	Motor manufacturer/type		Kubota WG2503				
	7.3	Rated speed	1/min	2400				
	7.4	Cylinder number/cubic capacity	st / cm ³	4 / 2491				
	7.5.5	Fuel consumption as per EN 16796 (LPG)	kg/h	3	3.1	3.2	3.3	3.4
	7.5.6	CO ₂ equivalent as per EN 16796 (LPG)	kg/h	10.17	10.51	10.85	11.19	11.53
Other	10.1	Operating pressure for attachment	bar	250				
	10.2	Oil flow for attachments	l/min	40				
	10.7	Sound level as per EN12053, operator's ear	dB (A)	78				
	10.8	Trailer coupling, model/type DIN		DIN 15170 H				
<p>- This data sheet according to VDI guideline 2198 only states the technical values of the standard truck. Different tyres, other masts, additional equipment etc. may result in different values.</p>								

10.7: 73 dB(A) with full cabin

The German production facilities in
Norderstedt, Moosburg and Landsberg
are certified.

ISO 9001
ISO 14001

Jungheinrich fork lift trucks meet
European safety requirements.



 **JUNGHEINRICH**

The Jungheinrich logo, featuring a red upward-pointing arrow above the word 'JUNGHEINRICH' in a bold, black, sans-serif font.