



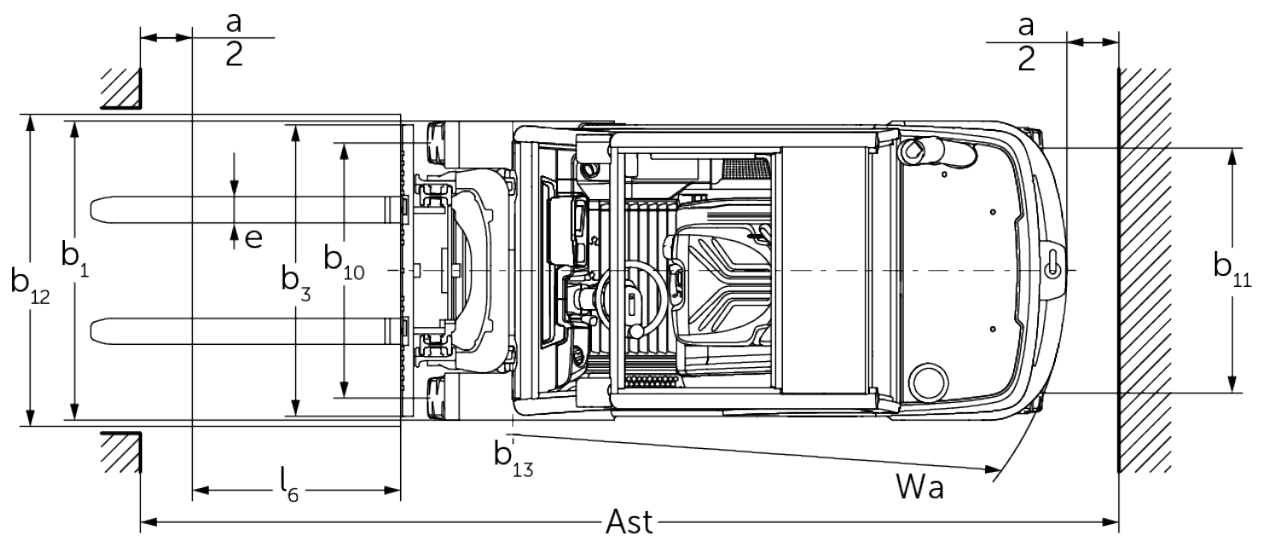
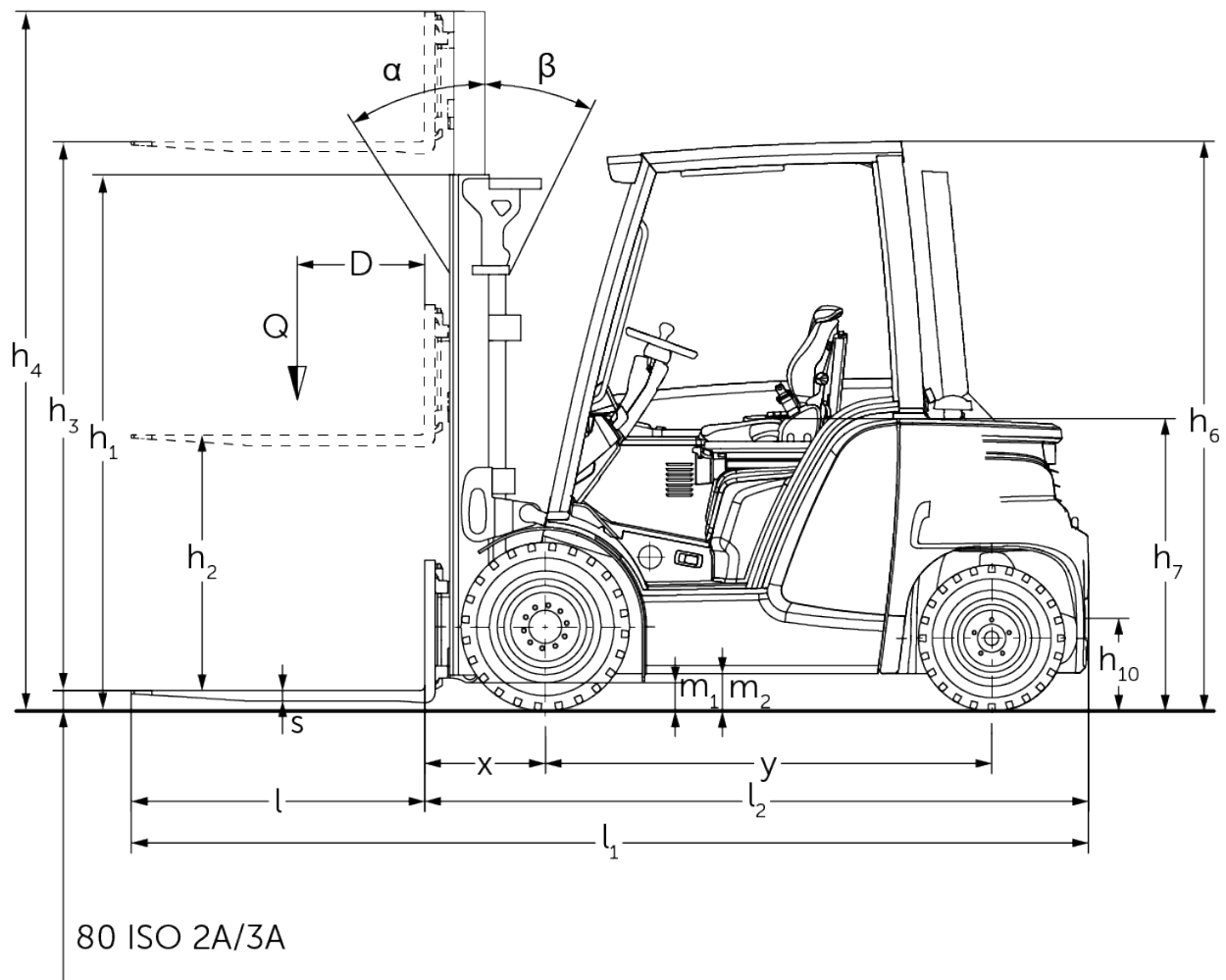
## **Diesel forklift truck**

### **DFG 425s-S35s**

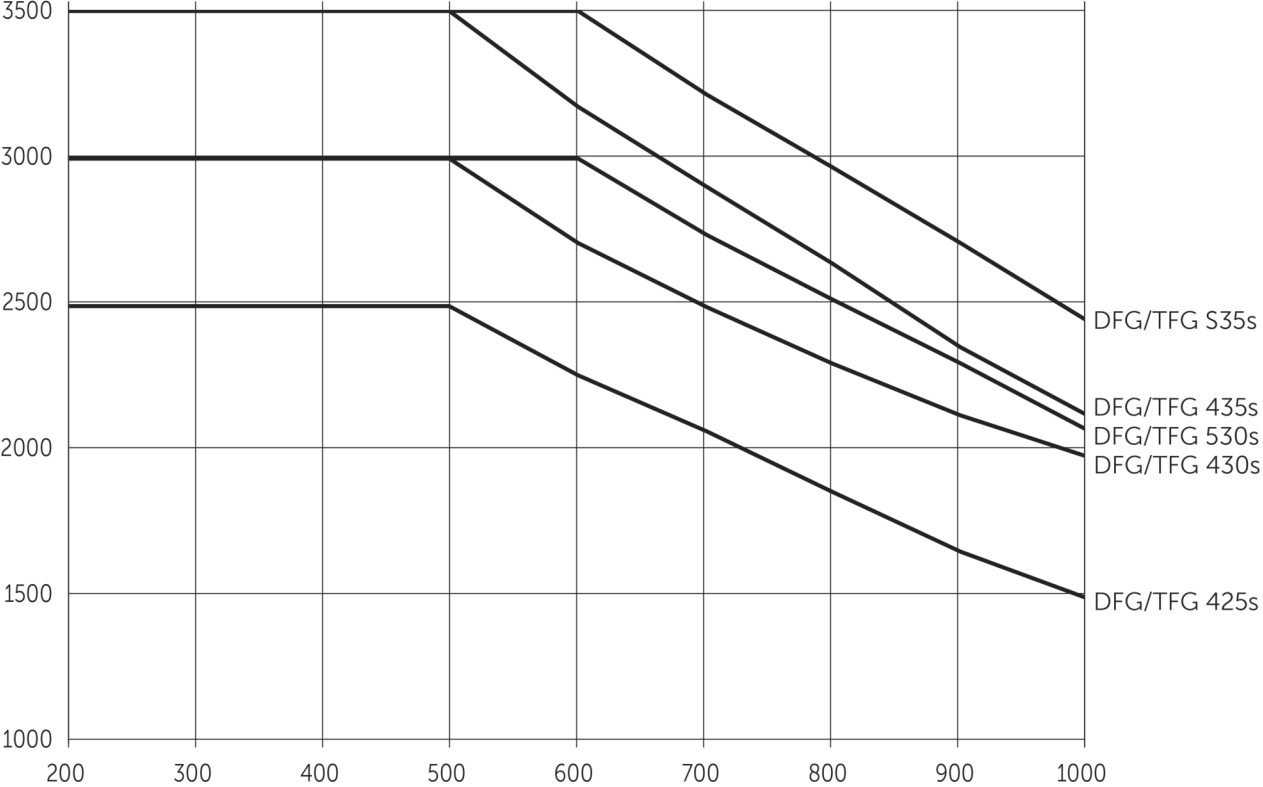
**Lift height: 2900-7500 mm / Load capacity: 2500-3500 kg**

**JUNGHEINRICH**

# DFG 425s-S35s



# DFG 425s-S35s



# DFG 425s-S35s

DFG 425s	Lift (h3)	Retracted mast height (h1)	Free lift (h2)	Extended mast height (h4)	Forward/backward tilt of mast
Dreifach-Hubgerüst DZ	<b>4400 mm</b>	<b>2086 mm</b>	<b>1500 mm</b>	<b>4986 mm</b>	<b>6 / 8 °</b>
	4700 mm	2186 mm	1600 mm	5286 mm	6 / 8 °
	5000 mm	2286 mm	1700 mm	5586 mm	6 / 6 °
	5500 mm	2486 mm	1900 mm	6086 mm	6 / 6 °
	6000 mm	2686 mm	2100 mm	6586 mm	6 / 6 °
	6500 mm	2886 mm	2300 mm	7086 mm	6 / 6 °
	7000 mm	3086 mm	2500 mm	7586 mm	6 / 6 °
	7500 mm	3286 mm	2700 mm	8086 mm	6 / 6 °
Zweifach-Hubgerüst ZT	<b>2900 mm</b>	<b>2121 mm</b>	<b>150 mm</b>	<b>3651 mm</b>	<b>6 / 8 °</b>
	3100 mm	2221 mm	150 mm	3851 mm	6 / 8 °
	3300 mm	2321 mm	150 mm	4051 mm	6 / 8 °
	3500 mm	2421 mm	150 mm	4251 mm	6 / 8 °
	3700 mm	2521 mm	150 mm	4451 mm	6 / 8 °
	4000 mm	2671 mm	150 mm	4751 mm	6 / 8 °
	4300 mm	2871 mm	150 mm	5051 mm	6 / 8 °
	4500 mm	2971 mm	150 mm	5251 mm	6 / 8 °
	4700 mm	3071 mm	150 mm	5451 mm	6 / 6 °
5000 mm	3221 mm	150 mm	5751 mm	6 / 6 °	
Zweifach-Hubgerüst ZZ	<b>3100 mm</b>	<b>2186 mm</b>	<b>1600 mm</b>	<b>3686 mm</b>	<b>6 / 8 °</b>
	3300 mm	2286 mm	1700 mm	3886 mm	6 / 8 °
	3500 mm	2386 mm	1800 mm	4086 mm	6 / 8 °
	3700 mm	2486 mm	1900 mm	4286 mm	6 / 8 °
	4000 mm	2636 mm	2050 mm	4586 mm	6 / 8 °
<b>DFG 430s, DFG S30s</b>	<b>Lift (h3)</b>	<b>Retracted mast height (h1)</b>	<b>Free lift (h2)</b>	<b>Extended mast height (h4)</b>	<b>Forward/backward tilt of mast</b>
Dreifach-Hubgerüst DZ	<b>4400 mm</b>	<b>2090 mm</b>	<b>1350 mm</b>	<b>5140 mm</b>	<b>6 / 8 °</b>
	4700 mm	2190 mm	1450 mm	5440 mm	6 / 8 °
	5000 mm	2290 mm	1550 mm	5740 mm	6 / 6 °
	5500 mm	2490 mm	1750 mm	6240 mm	6 / 6 °
	6000 mm	2690 mm	1950 mm	6740 mm	6 / 6 °
	6500 mm	2890 mm	2150 mm	7240 mm	6 / 6 °
	7000 mm	3090 mm	2350 mm	7740 mm	6 / 6 °
	7500 mm	3290 mm	2550 mm	8240 mm	6 / 6 °
Zweifach-Hubgerüst ZT	<b>2900 mm</b>	<b>2125 mm</b>	<b>150 mm</b>	<b>3660 mm</b>	<b>6 / 8 °</b>
	3100 mm	2225 mm	150 mm	3860 mm	6 / 8 °
	3300 mm	2325 mm	150 mm	4060 mm	6 / 8 °
	3500 mm	2425 mm	150 mm	4260 mm	6 / 8 °
	3700 mm	2525 mm	150 mm	4460 mm	6 / 8 °
	4000 mm	2675 mm	150 mm	4760 mm	6 / 8 °
	4300 mm	2875 mm	150 mm	5060 mm	6 / 8 °
	4500 mm	2975 mm	150 mm	5260 mm	6 / 8 °
	4700 mm	3075 mm	150 mm	5460 mm	6 / 6 °
	5000 mm	3225 mm	150 mm	5760 mm	6 / 6 °
	5500 mm	3525 mm	150 mm	6260 mm	6 / 6 °
	5800 mm	3675 mm	150 mm	6560 mm	6 / 6 °
	6000 mm	3775 mm	150 mm	6760 mm	6 / 6 °
Zweifach-Hubgerüst ZZ	<b>3100 mm</b>	<b>2190 mm</b>	<b>1450 mm</b>	<b>3840 mm</b>	<b>6 / 8 °</b>

	3300 mm	2290 mm	1550 mm	4040 mm	6 / 8 °
	3500 mm	2390 mm	1650 mm	4240 mm	6 / 8 °
	3700 mm	2490 mm	1750 mm	4440 mm	6 / 8 °
	4000 mm	2640 mm	1900 mm	4740 mm	6 / 8 °
<b>DFG 435s</b>	<b>Lift (h3)</b>	<b>Retracted mast height (h1)</b>	<b>Free lift (h2)</b>	<b>Extended mast height (h4)</b>	<b>Forward/backward tilt of mast</b>
<b>Dreifach-Hubgerüst DZ</b>	<b>4250 mm</b>	<b>2120 mm</b>	<b>1350 mm</b>	<b>5020 mm</b>	<b>6 / 6 °</b>
	4400 mm	2170 mm	1401 mm	5169 mm	6 / 8 °
	4700 mm	2270 mm	1501 mm	5469 mm	6 / 8 °
	5000 mm	2370 mm	1601 mm	5769 mm	6 / 6 °
	5500 mm	2570 mm	1801 mm	6269 mm	6 / 6 °
	6000 mm	2770 mm	2001 mm	6769 mm	6 / 6 °
	6500 mm	2970 mm	2201 mm	7269 mm	6 / 6 °
	7000 mm	3170 mm	2401 mm	7769 mm	6 / 6 °
	7500 mm	3370 mm	2601 mm	8269 mm	6 / 6 °
<b>Zweifach-Hubgerüst ZT</b>	<b>2900 mm</b>	<b>2205 mm</b>	<b>150 mm</b>	<b>3689 mm</b>	<b>6 / 8 °</b>
	3100 mm	2305 mm	150 mm	3889 mm	6 / 8 °
	3300 mm	2405 mm	150 mm	4089 mm	6 / 8 °
	3500 mm	2505 mm	150 mm	4289 mm	6 / 8 °
	3700 mm	2605 mm	150 mm	4489 mm	6 / 8 °
	4000 mm	2755 mm	150 mm	4789 mm	6 / 8 °
	4300 mm	2955 mm	150 mm	5089 mm	6 / 8 °
	4500 mm	3055 mm	150 mm	5289 mm	6 / 8 °
	4700 mm	3155 mm	150 mm	5489 mm	6 / 6 °
	5000 mm	3305 mm	150 mm	5789 mm	6 / 6 °
	5500 mm	3605 mm	150 mm	6289 mm	6 / 6 °
	5800 mm	3755 mm	150 mm	6589 mm	6 / 6 °
	6000 mm	3855 mm	150 mm	6789 mm	6 / 6 °
<b>Zweifach-Hubgerüst ZZ</b>	<b>2900 mm</b>	<b>2170 mm</b>	<b>1400 mm</b>	<b>3670 mm</b>	<b>6 / 8 °</b>
	3100 mm	2270 mm	1501 mm	3869 mm	6 / 8 °
	3300 mm	2370 mm	1601 mm	4069 mm	6 / 8 °
	3500 mm	2470 mm	1701 mm	4269 mm	6 / 8 °
	3700 mm	2570 mm	1801 mm	4469 mm	6 / 8 °
	4000 mm	2720 mm	1951 mm	4769 mm	6 / 8 °
<b>DFG S35s</b>	<b>Lift (h3)</b>	<b>Retracted mast height (h1)</b>	<b>Free lift (h2)</b>	<b>Extended mast height (h4)</b>	<b>Forward/backward tilt of mast</b>
<b>Dreifach-Hubgerüst DZ</b>	<b>4250 mm</b>	<b>2125 mm</b>	<b>1348 mm</b>	<b>5027 mm</b>	<b>6 / 6 °</b>
	4400 mm	2175 mm	1398 mm	5177 mm	6 / 8 °
	4700 mm	2275 mm	1498 mm	5477 mm	6 / 8 °
	5000 mm	2375 mm	1598 mm	5777 mm	6 / 6 °
	5500 mm	2575 mm	1798 mm	6277 mm	6 / 6 °
	6000 mm	2775 mm	1998 mm	6777 mm	6 / 6 °
	6500 mm	2975 mm	2198 mm	7277 mm	6 / 6 °
	7000 mm	3175 mm	2398 mm	7777 mm	6 / 6 °
	7500 mm	3375 mm	2598 mm	8277 mm	6 / 6 °
<b>Zweifach-Hubgerüst ZT</b>	<b>2900 mm</b>	<b>2210 mm</b>	<b>150 mm</b>	<b>3697 mm</b>	<b>6 / 8 °</b>
	3100 mm	2310 mm	150 mm	3897 mm	6 / 8 °
	3300 mm	2410 mm	150 mm	4097 mm	6 / 8 °
	3500 mm	2510 mm	150 mm	4297 mm	6 / 8 °
	3700 mm	2610 mm	150 mm	4497 mm	6 / 8 °
	4000 mm	2760 mm	150 mm	4797 mm	6 / 8 °
	4300 mm	2960 mm	150 mm	5097 mm	6 / 8 °

4500 mm	3060 mm	150 mm	5297 mm	6 / 8 °
4700 mm	3160 mm	150 mm	5497 mm	6 / 6 °
5000 mm	3310 mm	150 mm	5797 mm	6 / 6 °
5500 mm	3610 mm	150 mm	6297 mm	6 / 6 °
5800 mm	3760 mm	150 mm	6597 mm	6 / 6 °
6000 mm	3860 mm	150 mm	6797 mm	6 / 6 °

# VDI table

Stand-on: 09/2022

Characteristic	1.1	Manufacturer (abbreviated description)		Jungheinrich					
	1.2	Manufacturer's type designation		DFG 425s-S35s					
	1.3	Drive		Diesel					
	1.4	Operation		Sitz					
	1.5	Load capacity/load	Q kg	2500	3000	3500			
	1.6	Load centre distance	c mm	500	600	500	600		
	1.8	Load distance, centre of drive axle to fork	x mm	473	493		527		
	1.9	Wheelbase	y mm	1750	1820	1880			
	Weights	2.1	Service weight	kg	3965	4580	4780	4995	5650
2.2		Axle load laden front/rear	kg	5625 / 830	6715 / 860	6890 / 890	7515 / 985	8048 / 1100	
2.3		Axle load unladen front/rear	kg	1720 / 2245	1990 / 2590	2070 / 2710	2085 / 2910	2450 / 3198	
Wheels/suspension system	3.1	Tyres		Superelastik (SE)					
	3.2	Tyre size, front		7.00-12	27x10-12			355/45-15	
	3.3	Tyre size, rear		6.50-10			23x9-10		
	3.5	Wheels, number front/back (x=driven)		2x/2					
	3.6	Tread width, front	b <sub>10</sub> mm	1000	1060			1098	
	3.7	Tread width, rear	b <sub>11</sub> mm	940			950		
	Basic dimensions	4.1	Forward/backward tilt of mast	a/β °	6 / 8				
4.2		Retracted mast height (h1)	h <sub>1</sub> mm	2321	2325	2405	2410		
4.3		Free lift (h2)	h <sub>2</sub> mm	150					
4.4		Lift (h3)	h <sub>3</sub> mm	3300					
4.5		Extended mast height (h4)	h <sub>4</sub> mm	4051	4060	4089	4097		
4.7		Height of overhead guard (cab)	h <sub>6</sub> mm	2215	2235			2242	
4.8		Seat height/stand height	h <sub>7</sub> mm	1165	1180				
4.12		Coupling height	h <sub>10</sub> mm	377	394				
4.19		Overall length	l <sub>1</sub> mm	3753	3853	3933	4002		
4.20		Length including fork shank	l <sub>2</sub> mm	2603	2703	2783	2852		
4.21.1		Overall width	b <sub>1</sub> mm	1180	1320			1414	
4.22		Fork dimensions	s/ e/l mm	40 x 100 x 1150	45 x 125 x 1150			50 x 125 x 1150	
4.23		Fork carriage connection class		2A	3A				
4.24		Fork carriage width	b <sub>3</sub> mm	1120					
4.31		Ground clearance laden under mast	m <sub>1</sub> mm	112	118	147	154		
4.32		Ground clearance centre of wheelbase	m <sub>2</sub> mm	130	148				
4.34.1		Aisle width (pallet 1000x1200 sideways)	Ast mm	3983	4082	4153	4212		
4.34.2	Aisle width (pallet 800x1200 length)	Ast mm	4183	4282	4353	4412			
4.35	Turning radius	W <sub>a</sub> mm	2310	2389	2460	2485			
4.36	Smallest pivot point distance	b <sub>13</sub> mm	630			650			
Performance data	5.1	Travel speed laden/unladen	km/h	21.5 / 21.5	22 / 22				
	5.2	Lift speed laden/unladen	m/s	0.56 / 0.56					
	5.3	Lowering speed laden/unladen	m/s	0.56 / 0.56					
	5.5	Drawbar pull laden	N	21800	20800				
	5.7	Gradeability laden/unladen	%	31 / 31	30 / 30	29 / 29	27 / 27	24 / 24	
	5.9	Acceleration time laden/unladen	s	4.9 / 4.4	5.4 / 4.6	5.5 / 4.7	5.7 / 4.7	5.7 / 4.8	
	5.10	Service brake		hydrostatisch					

C motor	7.1	Motor manufacturer/type		Kubota V2403-CR-T				
	7.3	Rated speed	1/min	2400				
	7.4	Cylinder number/cubic capacity	st / cm <sup>3</sup>	4 / 2434				
	7.5.1	Fuel consumption as per EN 16796 (diesel)	l/h	2.7	2.9	3	3.1	3.2
	7.5.2	CO2 equivalent as per EN 16796 (diesel)	kg/h	8.58	9.21	9.53	9.85	10.17
Other	10.1	Operating pressure for attachment	bar	250				
	10.2	Oil flow for attachments	l/min	40				
	10.7	Sound level as per EN12053, operator's ear	dB (A)	79				
	10.8	Trailer coupling, model/type DIN		DIN 15170 H				

- This data sheet according to VDI guideline 2198 only states the technical values of the standard truck. Different tyres, other masts, additional equipment etc. may result in different values.



The German production facilities in  
Norderstedt, Moosburg and Landsberg  
are certified.

ISO 9001  
ISO 14001

Jungheinrich fork lift trucks meet  
European safety requirements.



 **JUNGHEINRICH**

The Jungheinrich logo, featuring a red upward-pointing arrow above the word 'JUNGHEINRICH' in a bold, black, sans-serif font.