



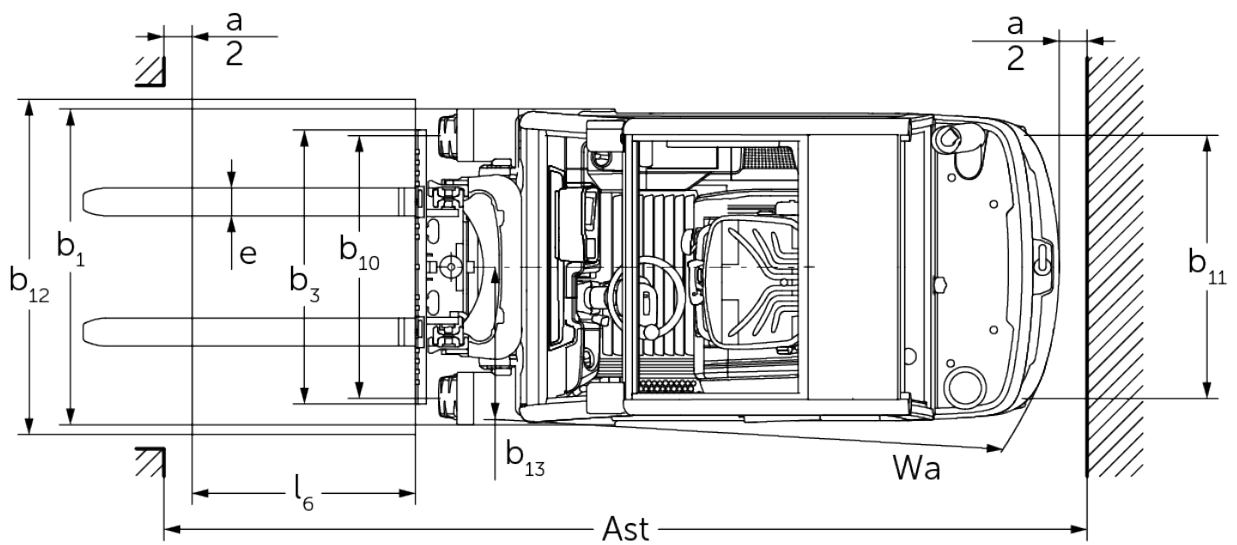
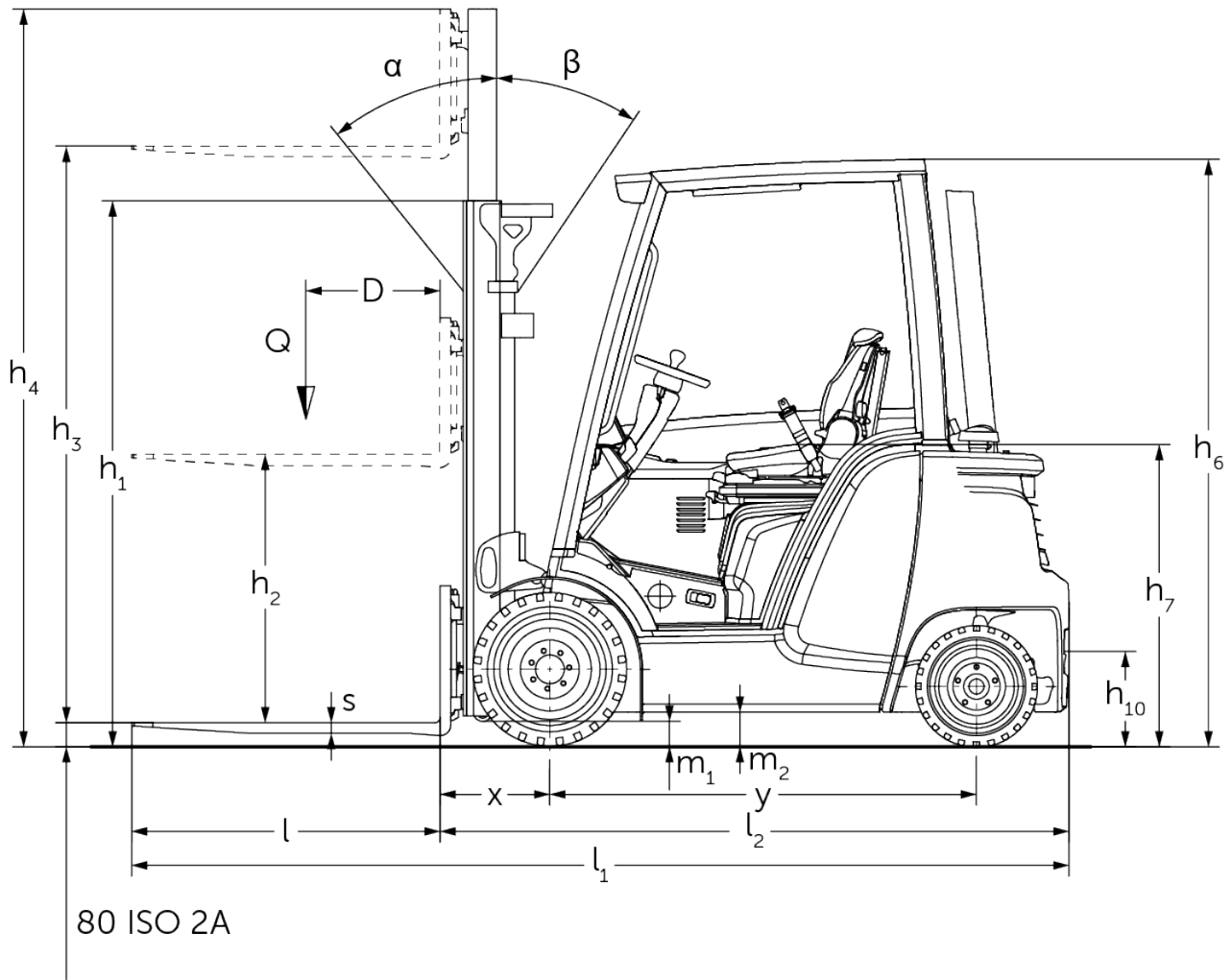
Diesel forklift truck

DFG 316s-320s

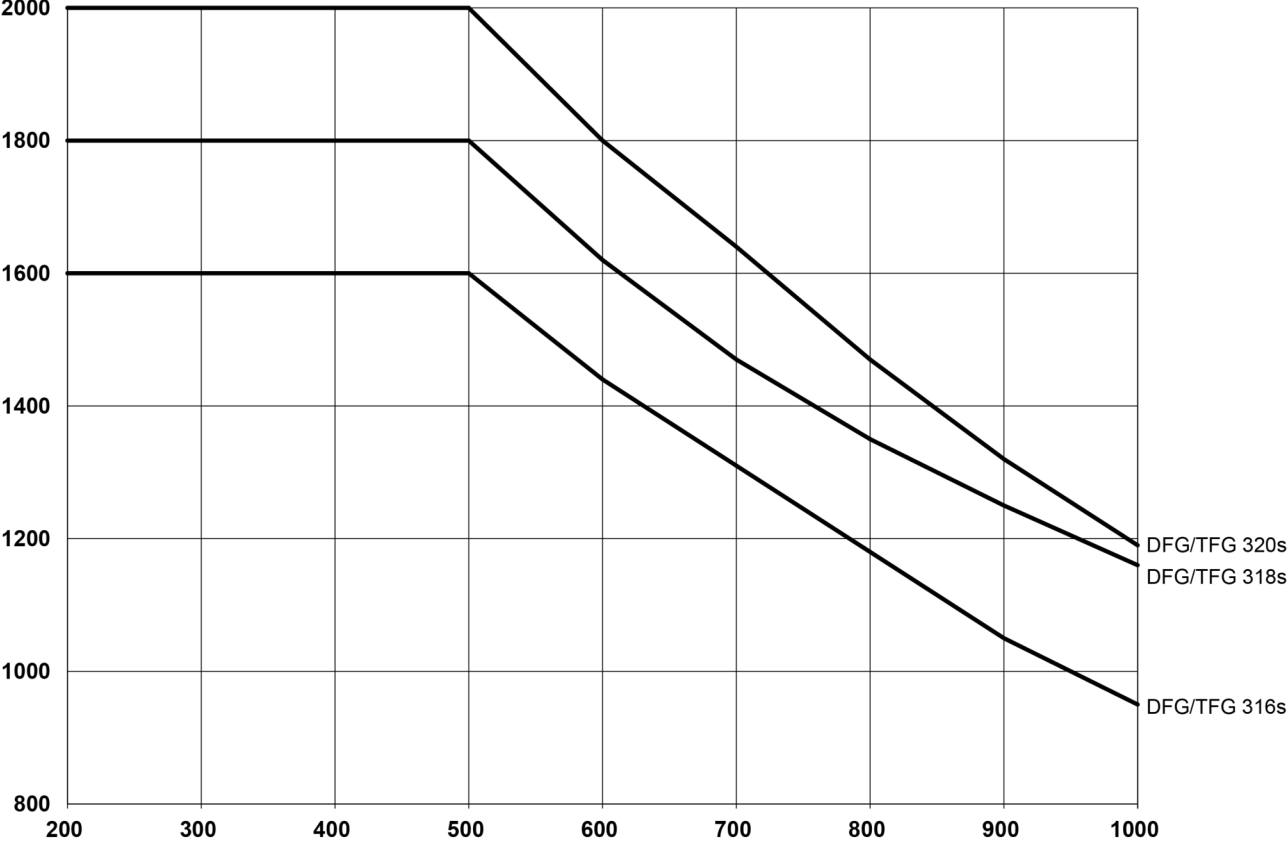
Lift height: 2900-7500 mm / Load capacity: 1600-2000 kg

 JUNGHEINRICH

DFG 316s-320s



DFG 316s-320s



DFG 316s-320s

DFG 316s	Lift (h3)	Retracted mast height (h1)	Free lift (h2)	Extended mast height (h4)	Forward/backward tilt of mast
Dreifach-Hubgerüst DZ	4400 mm	2020 mm	1435 mm	4985 mm	7 / 5 °
	4640 mm	2100 mm	1515 mm	5225 mm	7 / 5 °
	4700 mm	2120 mm	1535 mm	5285 mm	7 / 5 °
	4800 mm	2160 mm	1575 mm	5385 mm	7 / 5 °
	5000 mm	2230 mm	1645 mm	5585 mm	7 / 5 °
	5500 mm	2410 mm	1825 mm	6085 mm	7 / 5 °
	6000 mm	2580 mm	1995 mm	6585 mm	7 / 5 °
	6500 mm	2760 mm	2175 mm	7085 mm	7 / 5 °
	7000 mm	2930 mm	2345 mm	7585 mm	7 / 5 °
	7500 mm	3100 mm	2515 mm	8085 mm	7 / 5 °
Zweifach-Hubgerüst ZT	2900 mm	2005 mm	150 mm	3485 mm	7 / 7 °
	3100 mm	2105 mm	150 mm	3685 mm	7 / 7 °
	3300 mm	2205 mm	150 mm	3885 mm	7 / 7 °
	3500 mm	2305 mm	150 mm	4085 mm	7 / 6 °
	3700 mm	2405 mm	150 mm	4285 mm	7 / 6 °
	4000 mm	2555 mm	150 mm	4585 mm	7 / 6 °
	4300 mm	2705 mm	150 mm	4885 mm	7 / 6 °
	4500 mm	2805 mm	150 mm	5085 mm	7 / 6 °
Zweifach-Hubgerüst ZZ	3100 mm	2060 mm	1475 mm	3685 mm	7 / 7 °
	3300 mm	2160 mm	1575 mm	3885 mm	7 / 7 °
	3500 mm	2260 mm	1675 mm	4085 mm	7 / 6 °
	3700 mm	2360 mm	1775 mm	4285 mm	7 / 6 °
	4000 mm	2510 mm	1925 mm	4585 mm	7 / 6 °
DFG 318s, DFG 320s	Lift (h3)	Retracted mast height (h1)	Free lift (h2)	Extended mast height (h4)	Forward/backward tilt of mast
Dreifach-Hubgerüst DZ	4400 mm	2027 mm	1390 mm	5037 mm	7 / 5 °
	4640 mm	2107 mm	1470 mm	5277 mm	7 / 5 °
	4700 mm	2127 mm	1490 mm	5337 mm	7 / 5 °
	4800 mm	2167 mm	1530 mm	5437 mm	7 / 5 °
	5000 mm	2237 mm	1600 mm	5637 mm	7 / 5 °
	5500 mm	2417 mm	1780 mm	6137 mm	7 / 5 °
	6000 mm	2587 mm	1950 mm	6637 mm	7 / 5 °
	6500 mm	2767 mm	2130 mm	7137 mm	7 / 5 °
	7000 mm	2937 mm	2300 mm	7637 mm	7 / 5 °
	7500 mm	3107 mm	2470 mm	8137 mm	7 / 5 °
Zweifach-Hubgerüst ZT	2900 mm	2012 mm	150 mm	3507 mm	7 / 7 °
	3100 mm	2112 mm	150 mm	3707 mm	7 / 7 °
	3300 mm	2212 mm	150 mm	3907 mm	7 / 7 °
	3500 mm	2312 mm	150 mm	4107 mm	7 / 6 °
	3700 mm	2412 mm	150 mm	4307 mm	7 / 6 °
	4000 mm	2562 mm	150 mm	4607 mm	7 / 6 °
	4300 mm	2712 mm	150 mm	4907 mm	7 / 6 °
	4500 mm	2812 mm	150 mm	5107 mm	7 / 6 °
	5000 mm	3112 mm	150 mm	5607 mm	7 / 5 °
	Zweifach-Hubgerüst ZZ	3100 mm	2067 mm	1430 mm	3737 mm
3300 mm		2167 mm	1530 mm	3937 mm	7 / 7 °
3500 mm		2267 mm	1630 mm	4137 mm	7 / 6 °

3700 mm	2367 mm	1730 mm	4337 mm	7 / 6 °
4000 mm	2517 mm	1880 mm	4637 mm	7 / 6 °

VDI table

Stand-on: 09/2022

Characteristic	1.1	Manufacturer (abbreviated description)		Jungheinrich		
	1.2	Manufacturer's type designation		DFG 316s-320s		
	1.3	Drive		Diesel		
	1.4	Operation		Sitz		
	1.5	Load capacity/load	Q kg	1600	1800	2000
	1.6	Load centre distance	c mm	500		
	1.8	Load distance, centre of drive axle to fork	x mm	414	421	
	1.9	Wheelbase	y mm	1590		
	Weights	2.1	Service weight	kg	2872	3075
2.2		Axle load laden front/rear	kg	3870 / 605	4260 / 620	4580 / 635
2.3		Axle load unladen front/rear	kg	1330 / 1542	1350 / 1725	1380 / 1830
Wheels/suspension system	3.1	Tyres		Superelastik (SE)		
	3.2	Tyre size, front		6.50-10		
	3.3	Tyre size, rear		18x7-8		
	3.5	Wheels, number front/back (x=driven)		2x/2		
	3.6	Tread width, front	b ₁₀ mm	930		
	3.7	Tread width, rear	b ₁₁ mm	870		
	Basic dimensions	4.1	Forward/backward tilt of mast	a/β °	7 / 7	
4.2		Retracted mast height (h1)	h ₁ mm	2205	2212	
4.3		Free lift (h2)	h ₂ mm	150		
4.4		Lift (h3)	h ₃ mm	3300		
4.5		Extended mast height (h4)	h ₄ mm	3885	3907	
4.7		Height of overhead guard (cab)	h ₆ mm	2185		
4.8		Seat height/stand height	h ₇ mm	1130		
4.12		Coupling height	h ₁₀ mm	380		
4.19		Overall length	l ₁ mm	3499	3506	3549
4.20		Length including fork shank	l ₂ mm	2349	2356	2399
4.21.1		Overall width	b ₁ mm	1130		
4.22		Fork dimensions	s/e/l mm	40 x 80 x 1150		40 x 100 x 1150
4.23		Fork carriage connection class		2A		
4.24		Fork carriage width	b ₃ mm	980		
4.31		Ground clearance laden under mast	m ₁ mm	90	95	
4.32		Ground clearance centre of wheelbase	m ₂ mm	120		
4.34.1		Aisle width (pallet 1000x1200 sideways)	Ast mm	3709	3716	3744
4.34.2		Aisle width (pallet 800x1200 length)	Ast mm	3909	3916	3944
4.35		Turning radius	W _a mm	2095		2123
4.36		Smallest pivot point distance	b ₁₃ mm	545		
Performance data		5.1	Travel speed laden/unladen	km/h	22 / 22	
	5.2	Lift speed laden/unladen	m/s	0.6 / 0.62		
	5.3	Lowering speed laden/unladen	m/s	0.54 / 0.57		
	5.5	Drawbar pull laden	N	14800		
	5.7	Gradeability laden/unladen	%	31 / 31	30 / 30	
	5.9	Acceleration time laden/unladen	s	4.8 / 4.4	4.9 / 4.5	5.1 / 4.6
	5.10	Service brake		hydrostatisch		

C motor	7.1	Motor manufacturer/type		Kubota D1803-CR-T		
	7.3	Rated speed	1/min	2400		
	7.4	Cylinder number/cubic capacity	st / cm ³	3 / 1826		
	7.5.1	Fuel consumption as per EN 16796 (diesel)	l/h	2	2.1	2.2
	7.5.2	CO2 equivalent as per EN 16796 (diesel)	kg/h	6.35	6.67	6.99
Other	10.1	Operating pressure for attachment	bar	250		
	10.2	Oil flow for attachments	l/min	40		
	10.7	Sound level as per EN12053, operator's ear	dB (A)	78		
	10.8	Trailer coupling, model/type DIN		DIN 15170 H		

- This data sheet according to VDI guideline 2198 only states the technical values of the standard truck. Different tyres, other masts, additional equipment etc. may result in different values.

The German production facilities in
Norderstedt, Moosburg and Landsberg
are certified.

ISO 9001
ISO 14001

Jungheinrich fork lift trucks meet
European safety requirements.



 **JUNGHEINRICH**

The Jungheinrich logo, featuring a red upward-pointing arrow above the word 'JUNGHEINRICH' in a bold, black, sans-serif font.