

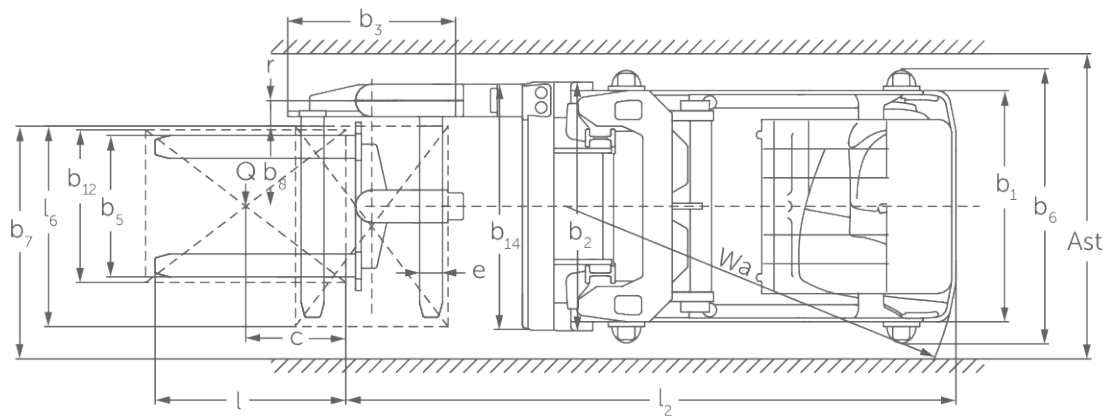
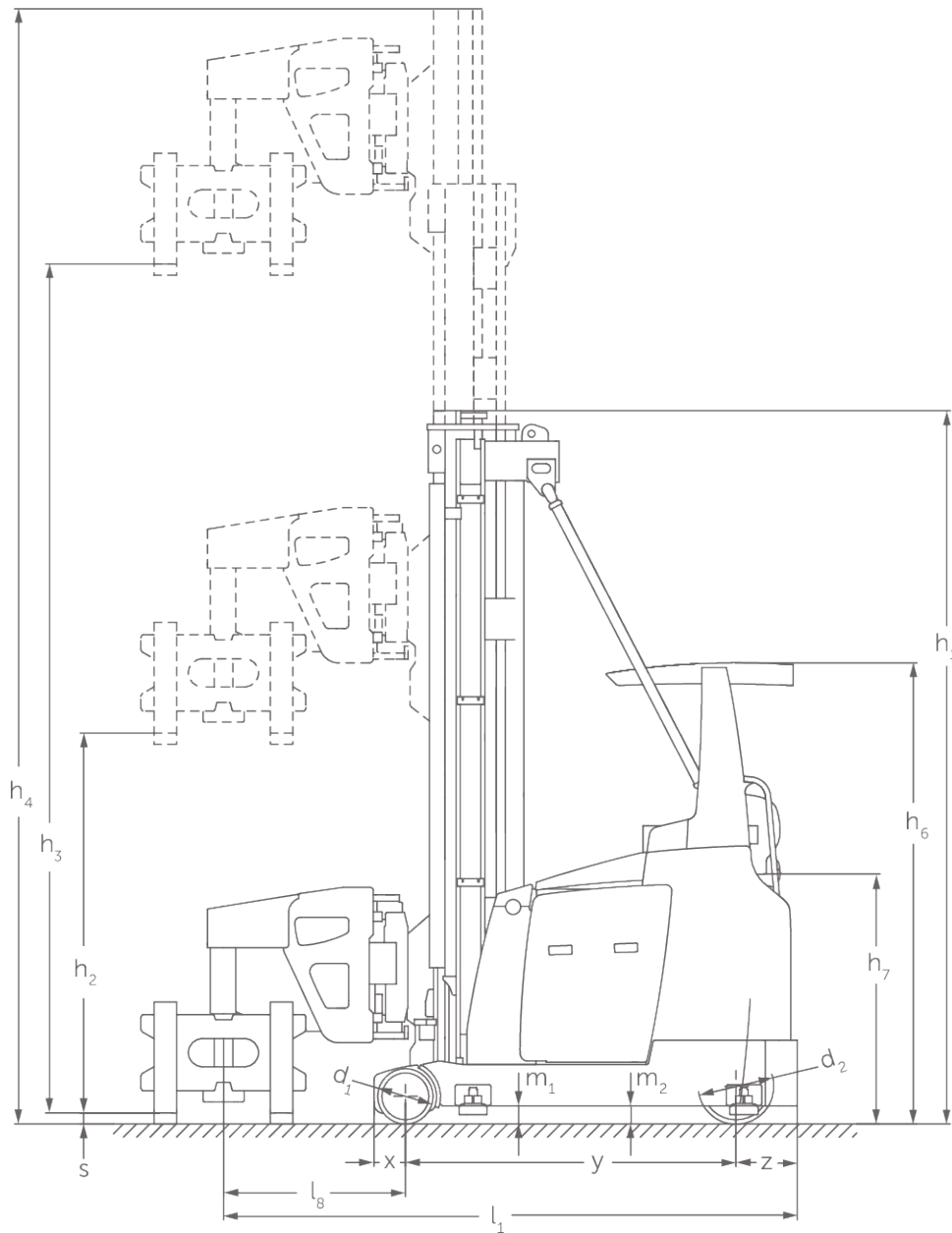


## **Electric sideways-seated / tri-lateral stacker**

**ETX 513 / 515**

**Lift height: 3000-13000 mm / Load capacity: 1200-1500 kg**

# ETX 513 / 515



# ETX 513 / 515

ETX 513	Lift (h3)	Retracted mast height (h1)	Free lift (h2)	Extended mast height (h4)	
Dreifach-Hubgerüst DZ	<b>5500 mm</b>	<b>2900 mm</b>	<b>1750 mm</b>	<b>6650 mm</b>	
	6000 mm	3100 mm	1950 mm	7150 mm	
	6500 mm	3300 mm	2150 mm	7650 mm	
	7000 mm	3500 mm	2350 mm	8150 mm	
	7500 mm	3700 mm	2550 mm	8650 mm	
	8000 mm	3900 mm	2750 mm	9150 mm	
	8500 mm	4100 mm	2950 mm	9650 mm	
	9000 mm	4300 mm	3150 mm	10150 mm	
	9500 mm	4500 mm	3350 mm	10650 mm	
	10000 mm	4700 mm	3550 mm	11150 mm	
Zweifach-Hubgerüst ZT	<b>3000 mm</b>	<b>2570 mm</b>		<b>4150 mm</b>	
	3500 mm	2820 mm		4650 mm	
	4000 mm	3070 mm		5150 mm	
	4500 mm	3320 mm		5650 mm	
	5000 mm	3570 mm		6150 mm	
	5500 mm	3820 mm		6650 mm	
	6000 mm	4070 mm		7150 mm	
	6500 mm	4320 mm		7650 mm	
	7000 mm	4570 mm		8150 mm	
	7500 mm	4820 mm		8650 mm	
8000 mm	5070 mm		9150 mm		
ETX 515	<b>Lift (h3)</b>	<b>Retracted mast height (h1)</b>	<b>Free lift (h2)</b>	<b>Extended mast height (h4)</b>	
	Dreifach-Hubgerüst DZ	<b>6000 mm</b>	<b>3200 mm</b>	<b>1950 mm</b>	<b>7250 mm</b>
		6500 mm	3400 mm	2150 mm	7750 mm
		7000 mm	3600 mm	2350 mm	8250 mm
		7500 mm	3800 mm	2550 mm	8750 mm
		8000 mm	4000 mm	2750 mm	9250 mm
		8500 mm	4200 mm	2950 mm	9750 mm
		9000 mm	4400 mm	3150 mm	10250 mm
		9500 mm	4600 mm	3350 mm	10750 mm
		10000 mm	4750 mm	3500 mm	11250 mm
		10500 mm	4950 mm	3700 mm	11750 mm
		11000 mm	5100 mm	3850 mm	12250 mm
		11500 mm	5300 mm	4050 mm	12750 mm
		12000 mm	5450 mm	4200 mm	13250 mm
		12500 mm	5650 mm	4400 mm	13750 mm
13000 mm		5800 mm	4550 mm	14250 mm	
Zweifach-Hubgerüst ZT	<b>3000 mm</b>	<b>2670 mm</b>		<b>4250 mm</b>	
	3500 mm	2920 mm		4750 mm	
	4000 mm	3170 mm		5250 mm	
	4500 mm	3420 mm		5750 mm	
	5000 mm	3670 mm		6250 mm	
	5500 mm	3920 mm		6750 mm	
	6000 mm	4170 mm		7250 mm	
	6500 mm	4420 mm		7750 mm	
7000 mm	4720 mm		8250 mm		
7500 mm	4970 mm		8750 mm		

8000 mm

5220 mm

9250 mm

8500 mm

5470 mm

9750 mm

9000 mm

5720 mm

10250 mm

# VDI table

Stand-on: 09/2022

Characteristic	1.1	Manufacturer (abbreviated description)		Jungheinrich		
	1.2	Manufacturer's type designation		<b>ETX 513</b>	<b>ETX 515</b>	
Weights	1.3	Drive		Elektro		
	1.4	Operation		Dreiseitenstapler		
	1.5	Load capacity/load	Q	kg	1250	1500
	1.6	Load centre distance	c	mm	600	
	1.8	Load distance, centre of drive axle to fork	x	mm	168	193
	1.9	Wheelbase	y	mm	1764	2094
	Wheels/ suspension system	2.1	Service weight		kg	6540
2.2		Axle load laden front/rear		kg	5736 / 2058	6540 / 2490
2.3		Axle load unladen front/rear		kg	3810 / 2730	4350 / 3180
Basic dimensions	3.1	Tyres		Vulkollan®		
	3.2	Tyre size, front		Ø 295 x 144	Ø 380 x 192	
	3.3	Tyre size, rear		Ø 400 x 160		
	3.5	Wheels, number front/back (x=driven)		2 / 1x		
Performance data	4.2	Retracted mast height (h1)	h <sub>1</sub>	mm	3820	3920
	4.3	Free lift (h2)	h <sub>2</sub>	mm	0	
	4.4	Lift (h3)	h <sub>3</sub>	mm	5500	
	4.5	Extended mast height (h4)	h <sub>4</sub>	mm	6650	6750
	4.7	Height of overhead guard (cab)	h <sub>6</sub>	mm	2461	
	4.8	Seat height/stand height	h <sub>7</sub>	mm	1360	
	4.20	Length including fork shank	l <sub>2</sub>	mm	3176	3475
	4.21.1	Overall width	b <sub>1</sub>	mm	1210	
	4.21.2	Overall width	b <sub>2</sub>	mm	1450	
	4.22	Fork dimensions	s/e/l	mm	40 x 120 x 1200	50 x 120 x 1200
	4.23	Fork carriage connection class			2A	
	4.24	Fork carriage width	b <sub>3</sub>	mm	880	
	4.25	Width across forks	b <sub>5</sub>	mm	845	
	4.29	Reach, lateral		mm	1290	
	4.31	Ground clearance laden under mast	m <sub>1</sub>	mm	80	
	4.32	Ground clearance centre of wheelbase	m <sub>2</sub>	mm	85	
	E-motor/ Electronics	4.35	Turning radius	W <sub>a</sub>	mm	2135
4.38.4		Pallet width		mm	800	
4.38.5		Pallet length		mm	1200	
5.1		Travel speed laden/unladen		km/h	10.5 / 10.5	
5.2		Lift speed laden/unladen		m/s	0.45 / 0.46	
E-motor/ Electronics	5.3	Lowering speed laden/unladen		m/s	0.48 / 0.48	
	5.4	Reach speed laden/unladen		m/s	0.3 / 0.3	
	5.10	Service brake			generatorisch	
	5.11	Parking brake			elektrischer Federspeicher	
	6.1	Drive motor, performance S2 60 min		kW	7.6	
	6.2	Lift motor, performance with S3		kW	21	
E-motor/ Electronics	6.3	Battery according to DIN 43531/35/36			3 PzS 465	5 PzS 775
	6.4	Battery voltage/nominal capacity		V / Ah	80 / 465	80 / 775
	6.5	Battery weight		kg	1238	1863

Other	8.1	Type of drive control		AC-Antriebssteuerung
	10.5	Steering version		elektrisch
	10.7	Sound level as per EN12053, operator's ear	dB (A)	65

- This data sheet according to VDI guideline 2198 only states the technical values of the standard truck. Different tyres, other masts, additional equipment etc. may result in different values.

The German production facilities in  
Norderstedt, Moosburg and Landsberg  
are certified.

ISO 9001  
ISO 14001

Jungheinrich fork lift trucks meet  
European safety requirements.



 **JUNGHEINRICH**

The Jungheinrich logo, featuring a red upward-pointing arrow above the word 'JUNGHEINRICH' in a bold, black, sans-serif font.