

Resistant to acids and salt

Corrosion-resistant

Grease nipples on all moving components

Electric lift (AMX I15e)

Electrically polished surfaces

Robust and reliable



AMX I15/I15p/I15e/I15ep

Stainless steel scissor lift hand pallet truck (1,500 kg)

The Inox versions of the AMX I15/I15e scissor lift pedestrian pallet trucks are ideal for transporting goods in areas where absolute hygiene is required. The advantages of the stainless steel range come to the fore in damp and harsh environments.

Different equipment variants allow individual adaptation to the specific requirement.

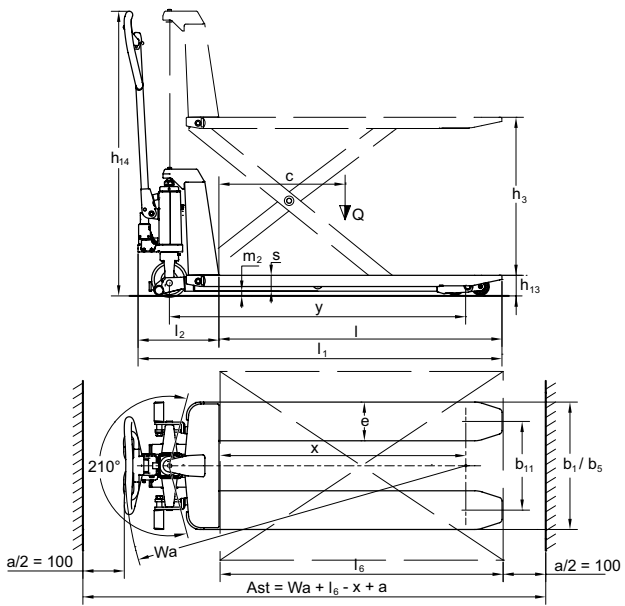
Our decades of experience in stainless steel hand pallet trucks are reflected today by our completely reliable and robust trucks.

In meat or fish processing, the chemical or pharmaceuticals sectors, scissor lift pedestrian pallet trucks offer the right solution.

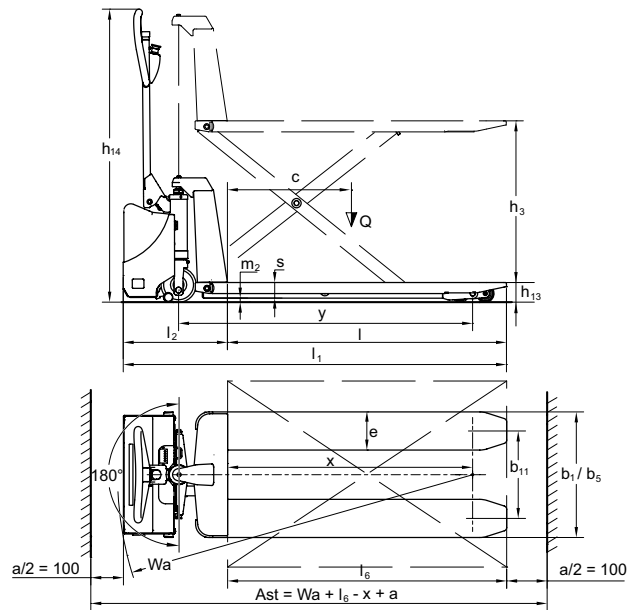
JUNGHEINRICH

AMX I15/I15p/I15e/I15ep

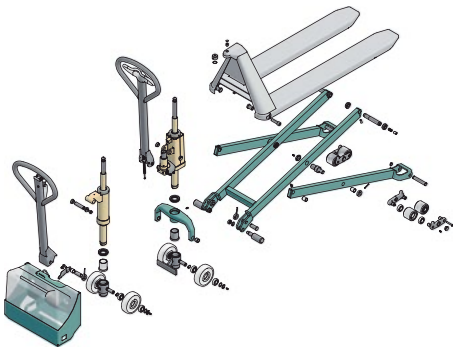
AMX I15/ I15p







AMX I15p/ I15e/ I15ep



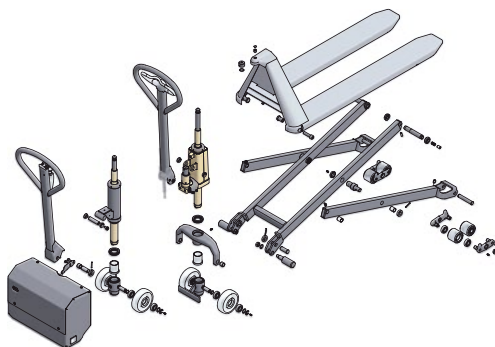
AMX I15/I15e



Left tiller image is for the E model

-  Electro-plating
-  Chromite coating
-  Stainless steel (AISI 303/304)
-  Acid resistant stainless steel (AISI 316)

AMX I15p/I15ep



Left tiller image is for the E model

Technical data in line with VDI 2198

			Jungheinrich					
			AMX I15	AMX I15p	AMX I15e	AMX I15ep		
Identification	1.1	Manufacturer (abbreviation)						
	1.2	Model						
	1.3	Drive	manual	manual	Electric	Electric		
	1.4	Manual, pedestrian, stand-on, seated, order picker operation			hand			
	1.5	Load capacity/rated load	Q	t	1,5 ¹⁾			
	1.6	Load centre distance	c	mm	600			
	1.8	Load distance	x	mm	1,050			
	1.9	Wheelbase	y	mm	1,255			
	Weights	2.1	Net weight	kg	125	125	132	132
2.2		Axle loading, laden front/rear	kg	720 / 358	750 / 358	753 / 357	753 / 387	
2.3		Axle loading, unladen front/rear	kg	38 / 70	38 / 70	40 / 100	40 / 100	
Wheels / frame	3.1	Tyres		N,V				
	3.2	Tyre size, front	mm	Ø 150x45				
	3.3	Tyre size, rear	mm	Ø 75x68				
	3.5	Wheels, number front/rear (x = driven wheels)		2/4				
	3.6	Tread width, front	b ₁₀	mm	145			
	3.7	Tread width, rear	b ₁₁	mm	440			
	Basic dimensions	4.4	Lift	h ₃	mm	710		
4.9		Height of tiller in drive position min. / max.	h ₁₄	mm	1,230	1,230	1,270	1,270
4.15		Height, lowered	h ₁₃	mm	85			
4.19		Overall length	l ₁	mm	1,580	1,580	1,645	1,645
4.20		Length including fork shank	l ₂	mm	340	340	445	445
4.21		Overall width	b ₁ /b ₂	mm	540			
4.22		Fork dimensions	s/e/l	mm	50 / 163 / 1,200			
4.25		Width across forks	b ₅	mm	540			
4.32		Ground clearance, centre of wheelbase	m ₂	mm	19			
4.33		Aisle width for pallets 1000 x 1200 crossways	Ast	mm	1,630	1,630	1,690	1,690
4.34		Aisle width for pallets 800 x 1200 lengthways	Ast	mm	1,830	1,830	1,890	1,890
4.35	Turning radius	W _a	mm	1,480	1,480	1,540	1,540	
Performance data	5.3	Lowering speed, laden/unladen	m/s	0.15 / 0.09	0.15 / 0.09	0.07 / 0.05	0.07 / 0.05	
Electrics	6.4	Battery voltage/nominal capacity K5	V/Ah			12 / 65	12 / 65	
	6.5	Battery weight	kg	0	0	21	21	

¹⁾ 1 t lifting capacity from lift height of 470 mm

Benefit from the advantages



AMX I15/I15p controls



Enclosed fork tips



AMX I15e/I15ep controls

Easy handling

- Smooth controls for both left and right-handed operators.
- Special lowering valve for sensitive, controlled load lowering.
- Short front end dimension (340 mm) ensures safe operation even in confined spaces.
- Improved stability combined with floor protection thanks to standard tandem load rollers.

Optimum hygiene

- The enclosed fork tips ensure that no dirt sprays up from the fork rollers onto the load during travel.

- Freely accessible or fully enclosed cavities allow for effective cleaning with no hiding places for bacteria.
- Grease nipples on critical moving parts.
- Food grade lubricant (class H1 and H2).

Lift height

Extra support legs offer high stability up to a height of 800 mm.

Effortless lifting and lowering

- Option of manual hydraulic (AMX I15) or electro-hydraulic (AMX I15e) with 1.2 kW lift motor.
- Integrated pump unit with reservoir.

- Sensitive lowering with hand lever. The lowering valve is incorporated in the pump unit. The hydraulic system is protected against overloading by a pressure relief valve.

Forks

Robust, torsion-resistant construction with closed fork tips.

Maintenance-free battery and built-in charger (AMX I15e)

- Built-in electronically controlled battery charger.
- Charging possible at any 230-V mains socket.
- Maintenance-free 65 Ah battery.

Jungheinrich UK Ltd.

Head Office:
Sherbourne House
Sherbourne Drive
Tilbrook
Milton Keynes MK7 8HX
Telephone 01908 363100
Fax 01908 363180

info@jungheinrich.co.uk
www.jungheinrich.co.uk

The German production facilities in Norderstedt, Moosburg and Landsberg are certified. **ISO 9001**
ISO 14001

Jungheinrich fork lift trucks meet European safety requirements.



JUNGHEINRICH