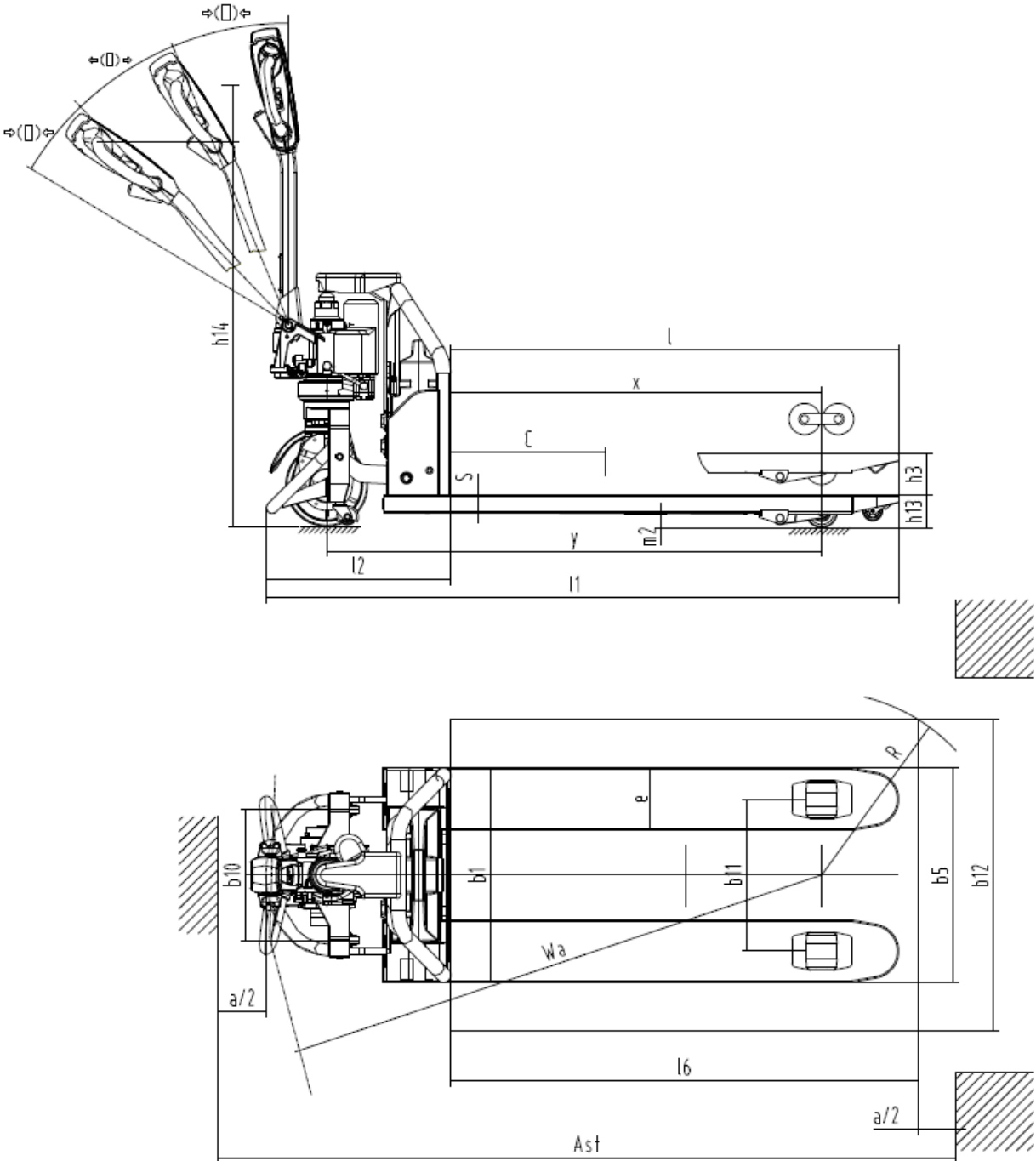




Electric pedestrian pallet truck **AME 13**

Lift height: 110 mm / Load capacity: 1300 kg

AME 13



VDI table

Stand-on: 01/2023

Kennzeichen	1.1	Manufacturer (abbreviated description)		Jungheinrich			
	1.2	Manufacturer's type designation		AME 13			
	1.3	Drive		Electric			
	1.4	Operation		Pedestrian			
	1.5	Load capacity/load	Q kg	1300			
	1.6	Load centre distance	c mm	600			
	1.8	Load distance, centre of drive axle to fork	x mm	601	951	601	951
	1.9	Wheelbase	y mm	919	1269	1119	1269
	Gewichte	2.1.1	Service weight (incl. battery)	kg	132	135	137
2.2		Axle load laden front/rear	kg	509 / 924	511 / 924	513 / 924	514 / 924
2.3		Axle load unladen front/rear	kg	99 / 33	102 / 33	104 / 33	105 / 33
Räder/Fahrwerk	3.1	Tyres		Polyurethane (PU)			
	3.2	Tyre size, front		Ø210 x 70			
	3.3	Tyre size, rear		Ø80 x 70			
	3.4	Additional wheels		Ø42 x 17			
	3.5	Wheels, number front/back (x=driven)		1x+2/4			
	3.6	Tread width, front	b ₁₀ mm	335			
	3.7	Tread width, rear	b ₁₁ mm	390	525		
Grundabmessungen	4.4	Lift (h ₃)	h ₃ mm	110			
	4.9	Height of tiller handle in drive position min./max.	mm	635 / 1200			
	4.15	Height, lowered	h ₁₅ mm	80			
	4.19	Overall length	l ₁ mm	1273	1623	1473	1623
	4.20	Length including fork shank	l ₂ mm	473			
	4.21.1	Overall width	b ₁ mm	550	685		
	4.22	Fork dimensions	s/ e/l mm	45 x 160 x 800	45 x 160 x 1150	45 x 160 x 1000	45 x 160 x 1150
	4.25	Width across forks	b ₅ mm	550	685		
	4.32	Ground clearance centre of wheelbase	m ₂ mm	35			
	4.34.1	Aisle width (pallet 1000x1200 sideways)	Ast mm	1994	2226	2106	2226
	4.34.2	Aisle width (pallet 800x1200 length)	Ast mm	1993	2095	-	
	4.35	Turning radius	W _a mm	1074	1424	1274	1424
Leistungsdaten	5.1	Travel speed laden/unladen	km/h	4.8 / 5			
	5.2	Lift speed laden/unladen	m/s	0.03 / 0.03			
	5.8	Max. gradeability laden/unladen	%	5 / 20			
	5.10	Service brake		electromagnetic			
E-Motor/ Elektronik	6.1	Drive motor, performance S2 60 min	kW	0.65			
	6.2	Lift motor, performance with S3	kW	0.8			
	6.4	Battery voltage/nominal capacity	V / Ah	48 / 20			
	6.5	Battery weight	kg	8.5			
Sonstiges	8.1	Type of drive control		Impulse/DC			
	10.7	Sound level as per EN12053, operator's ear	dB (A)	70			

- This data sheet according to VDI guideline 2198 only states the technical values of the standard truck. Different tyres, other masts, additional equipment etc. may result in different values.

The German production facilities in
Norderstedt, Moosburg and Landsberg
are certified.

ISO 9001
ISO 14001

Jungheinrich fork lift trucks meet
European safety requirements.



 **JUNGHEINRICH**

The Jungheinrich logo, featuring a red upward-pointing arrow above the word 'JUNGHEINRICH' in a bold, black, sans-serif font.