

24-volt 3-phase AC technology

Maximum speed  
and acceleration for  
maximum productivity

Large stand-on platform,  
optionally sprung for  
comfortable travel

Optional electric steering for  
effortless control of the truck



## ECR 327/336

### Electric End Rider Pallet Truck (2,700/3,600 kg)

The ECR 327 / 336 electric end rider pallet truck with stand-on platform was developed to increase your productivity, giving you the ability to accomplish more in less time.

**The highlights:**

- Quick acceleration

The ECR Series has exceptional acceleration.

Not only can operators rapidly obtain maximum speed, but can do so with smooth and precise control due to the proprietary controller and optimal programming.

- Speed

The ECR is the fastest end rider on the market, achieving speeds up to 15 km/h.

- Smooth directional changes

The incredibly responsive regenerative braking system provides a seamless transition from one direction to another, while maintaining load stability.

This feature can be particularly useful when engaging in frequent directional changes and leads to tremendous gains in productivity.

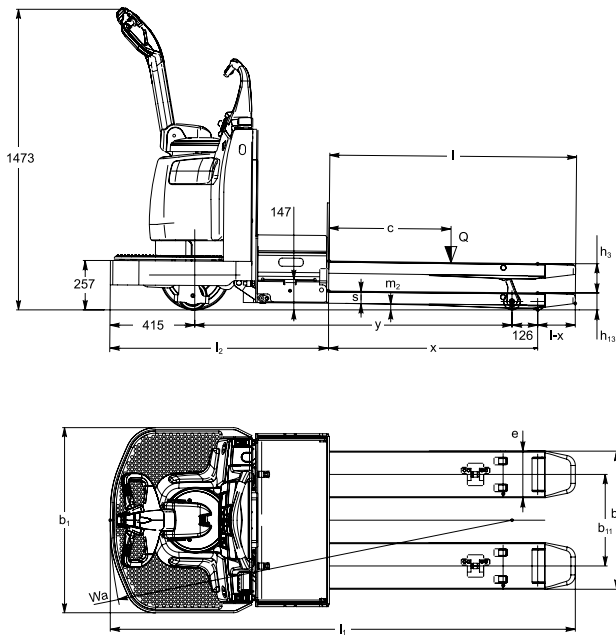
- High performance reliability on inclines

The ECR Series also achieves high levels of performance and control on inclines.

This is accomplished through our proprietary Jungheinrich-built motor and high output controller which were designed to meet the application demands of the ECR.

This high level of performance enables you to move more pallets in very short times.

# ECR 327/336



Fork length-dependent dimensions ECR 327/336

Capacity (kg) Q (t)	Fork length l (mm)	Fork overhang (mm)	Overall length l <sub>1</sub> (mm)	Wheelbase y (mm)	Turning radius W <sub>a</sub> (mm)	Load distance x (mm)	Aisle width A <sub>st</sub> (mm)
2.7	907	185	1981	1255	1679	719	2592
	1059	185	2133	1407	1829	871	2645
	1212	185	2286	1562	1981	1024	2725
	1514	185	2588	1864	2283	1328	3003
	1694	185	2768	2042	2462	1506	3245
	1821	185	2895	2169	2588	1633	3483
	2126	594	3200	2067	2487	1532	3284
	2355	823	3429	2067	2487	1532	3726
3.6	2431	899	3505	2076	2487	1532	3726
	907	185	1981	1255	1679	719	2592
	1059	185	2133	1407	1829	871	2645
	1212	185	2286	1562	1981	1024	2725
	1514	185	2588	1864	2283	1328	3003
	2126	594	3200	2067	2487	1532	3284
	2355	823	3429	2067	2487	1532	3726
	2431	899	3505	2067	2487	1532	3726
2609	1077	3683	2067	2487	1532	3726	
3645	1407	4719	2774	3193	2283	4900	

# Technical data in line with VDI 2198

				Jungheinrich	
Identification	1.1	Manufacturer (abbreviation)			
	1.2	Model		<b>ECR 327</b>	<b>ECR 336</b>
Weights	1.3	Drive		Electric	
	1.5	Load capacity/rated load	Q t	2.7	3.6
	1.6	Load centre distance	c mm	600	1,200
	1.8	Load distance	x mm	1,024 <sup>1)</sup>	1,532 <sup>1)</sup>
	1.9	Wheelbase	y mm	1,560 <sup>1)</sup>	2,068 <sup>1)</sup>
Wheels / frame	2.1.1	Net weight incl. battery (see row 6.5)	kg	1,240	1,375
	2.2	Axle load with load front/rear	kg	1,420 / 2,520	1,300 / 3,675
	2.3	Axle load without load front/rear	kg	918 / 322	960 / 415
Basic dimensions	3.1	Tyres		PU	
	3.2	Tyre size, front	mm	Ø 305 x 127	
	3.3	Tyre size, rear	mm	Ø 83 x 160	
	3.4	Additional wheels (dimensions)	mm	Ø 101 x 63	
	3.5	Wheels, number front/rear (x = driven wheels)		1x+2 /2 or 4	
	3.7	Tread width, rear	b <sub>11</sub> mm	450	
	Performance data	4.4	Lift	h <sub>3</sub> mm	137
4.15		Height, lowered	h <sub>13</sub> mm	85	
4.19		Overall length	l <sub>1</sub> mm	2,286	3,505
4.20		Length to face of forks	l <sub>2</sub> mm	1,074	
4.21		Overall width	b <sub>1</sub> /b <sub>2</sub> mm	910	
4.22		Fork dimensions	s/e/l mm	60 / 229 / 1,212	60 / 249 / 2,431
4.25		Width across forks	b <sub>5</sub> mm	679	698
4.32		Ground clearance, centre of wheelbase	m <sub>2</sub> mm	25	27
Electrics	4.35	Turning radius	W <sub>a</sub> mm	1,981 <sup>1)</sup>	2,487 <sup>1)</sup>
	5.1	Travel speed, laden/unladen	km/h	11 / 15	10 / 15
	5.2	Lift speed, laden/unladen	m/s	0.04 / 0.05	0.038 / 0.05
	5.8	Max. gradeability, laden/unladen	%	13 / 25	10 / 25
	5.10	Service brake		regenerative	
	5.11	Parking brake		electromagnetic	
Misc.	6.1	Drive motor, output S2 60 min.	kW	3.2	
	6.2	Lift motor rating at S3 10%	kW	1.5	
	6.4	Battery voltage/nominal capacity K5	V/Ah	24 / 620 <sup>2)</sup>	
	6.5	Battery weight	kg	457	
	8.1	Type of drive control		AC SpeedControl	

<sup>1)</sup> Load section lowered + 126 mm

<sup>2)</sup> Other battery capacities available

# Benefit from the advantages



Optional ProTraLink support wheel



Ergonomic tiller



Strong forks



Standing platform

## Electro-magnetic brakes:

Unlike traditional mechanical brakes which require regular maintenance, the ECR Series electro-magnetic brake requires limited servicing.

## Advanced regenerative braking

At Jungheinrich, we took our brake design one step further. The wear-free regenerative braking system engages when braking, coasting and changing direction. Only very seldom, when regenerative braking power is not sufficient, is an electro-magnetic brake engaged. This avoids wear.

## Adjustable casters

Castors are one of the most frequently serviced parts on any end rider. But, the ECR allows for automatic caster adjustment, without having to raise the truck, saving time and money.

## Simplified drawbar adjustment

Unlike traditional designs, the ECR utilises lock nuts to adjust the drawbar. This simplification reduces the maintenance requirement significantly.

## Strongest in the industry

Our formed forks are the strongest in the industry. Combined with cast steel fork tips, they are designed to withstand tough environments.

## Resistant to harsh and corrosive environments

For those extra harsh environments, a corrosion protection package is available which includes the following galvanised components

- Frame
- Drawbar
- Forks

- Load wheel lever

## Motor cover

Steel is not always the best material for the job. Therefore the motor cover is made of a heavy-duty thermoplastic polyolefin (TPO) plastic. This plastic is significantly lighter than steel and enables the motor cover to be removed with just one hand. Moreover, the material is less prone to cracking and will not dent.

## More surface area

The operator platform has a spacious surface area, enabling the operator to comfortably adjust their position throughout the journey. In addition, the 'foot alcove' allows for a wider stance and helps to ensure the operator's feet are fully on the platform.

## Jungheinrich UK Ltd.

Head Office:  
Sherbourne House  
Sherbourne Drive  
Tilbrook  
Milton Keynes MK7 8HX  
Telephone 01908 363100  
Fax 01908 363180

info@jungheinrich.co.uk  
www.jungheinrich.co.uk

 **JUNGHEINRICH**  
Machines. Ideas. Solutions.