

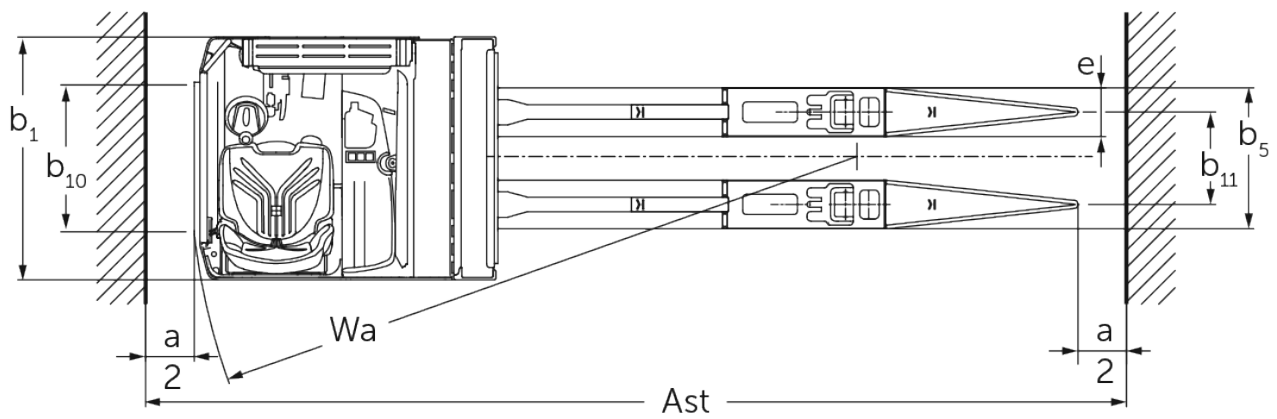
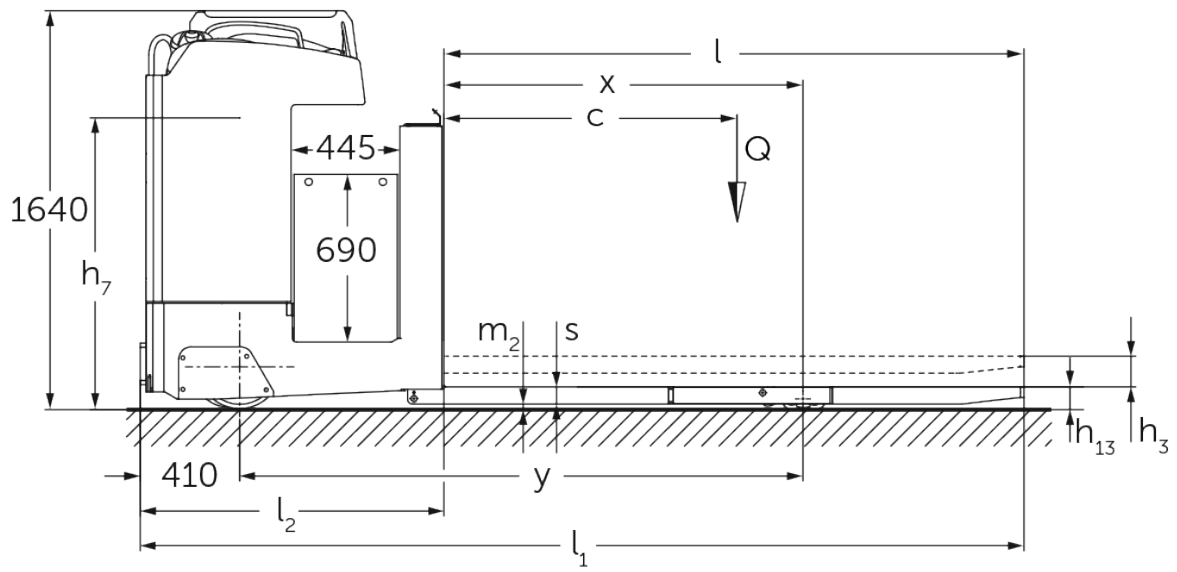


## **Electric stand-on/sideways-seated pallet truck**

### **ESE 430**

Lift height: 115 mm / Load capacity: 3000 kg

# ESE 430



# VDI table

Stand-on: 08/2023

Characteristic	1.1	Manufacturer (abbreviated description)		Jungheinrich	
	1.2	Manufacturer's type designation		<b>ESE 430</b>	
	1.3	Drive		Electric	
	1.4	Operation		Seat	
	1.5	Load capacity/load	Q	kg	3000
	1.6	Load centre distance	c	mm	1200
	1.8	Load distance, centre of drive axle to fork	x	mm	1480
	1.9	Wheelbase	y	mm	2320
	Weights	2.1.1	Service weight (incl. battery)		kg
2.2		Axle load laden front/rear		kg	2190 / 3280
2.3		Axle load unladen front/rear		kg	1975 / 500
Wheels/suspension system	3.1	Tyres			Vulkollan ®
	3.2	Tyre size, front			Ø 343 x 114
	3.3	Tyre size, rear			Ø 90 x 100
	3.4	Additional wheels			Ø 285 x 100
	3.5	Wheels, number front/back (x=driven)			2 - 1x / 4
	3.6	Tread width, front	b <sub>10</sub>	mm	604
	3.7	Tread width, rear	b <sub>11</sub>	mm	380
Basic dimensions	4.4	Lift (h <sub>3</sub> )	h <sub>3</sub>	mm	115
	4.8	Seat height/stand height	h <sub>7</sub>	mm	1200
	4.15	Height, lowered	h <sub>15</sub>	mm	90
	4.19	total length	l <sub>1</sub>	mm	3650
	4.20	Length including fork shank	l <sub>2</sub>	mm	1250
	4.21.1	total width	b <sub>1</sub>	mm	1000
	4.22	Fork dimensions	s/e/l	mm	70 x 200 x 2400
	4.25	Width across forks	b <sub>5</sub>	mm	580
	4.32	Ground clearance centre of wheelbase	m <sub>2</sub>	mm	20
	4.34.2	Aisle width (pallet 800x1200 length)	A <sub>st</sub>	mm	4050
	4.35	Turning radius	W <sub>a</sub>	mm	2750
Performance data	5.1	Travel speed laden/unladen		km/h	14 / 14
	5.2	Lift speed laden/unladen		m/s	0.06 / 0.06
	5.3	Lowering speed laden/unladen		m/s	0.05 / 0.05
	5.7	Gradeability laden/unladen		%	6 / 15
	5.10	Service brake			electric
E-motor/Electronics	6.1	Drive motor, performance S2 60 min		kW	8.5
	6.2	Lift motor, performance with S3		kW	2
	6.3	Battery according to DIN 43531/35/36			A
	6.4	Battery voltage/nominal capacity		V / Ah	48 / 620
	6.5	Battery weight		kg	945
	6.6.1	Energy consumption according to EN cycle		kWh/h	0.56
	6.6.2	CO2 equivalent as per EN 16796		kg/h	0.3
Other	8.1	Type of drive control			Mosfet/AC

- This data sheet according to VDI guideline 2198 only states the technical values of the standard truck. Different tyres, other masts, additional equipment etc. may result in different values.

The German production facilities in  
Norderstedt, Moosburg and Landsberg  
are certified as well as our Genuine Parts  
Center in Kaltenkirchen. ISO 9001  
ISO 14001

Jungheinrich fork lift trucks meet  
European safety requirements. 

**JUNGHEINRICH**