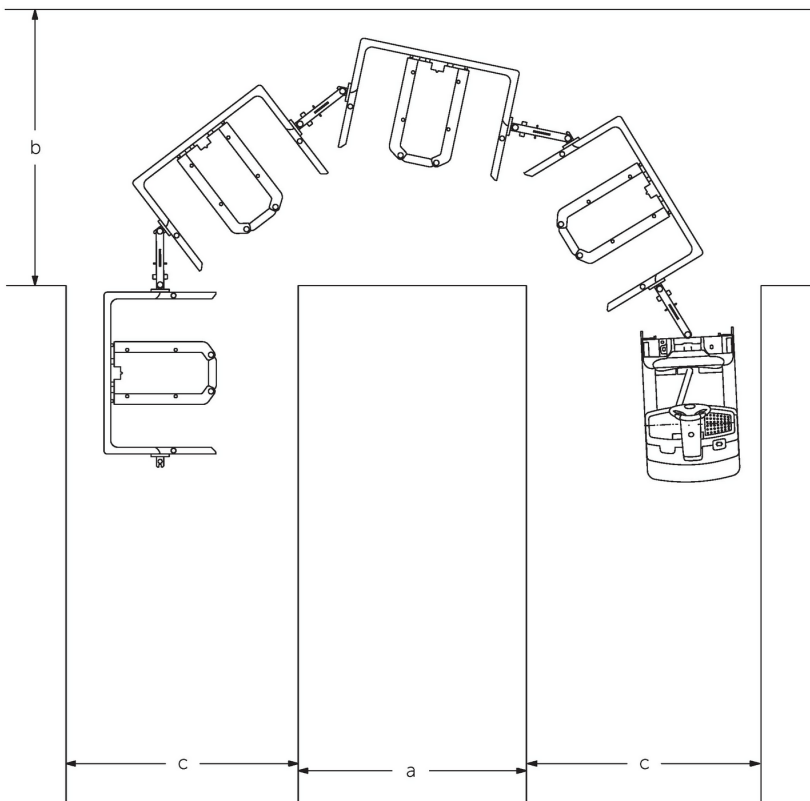
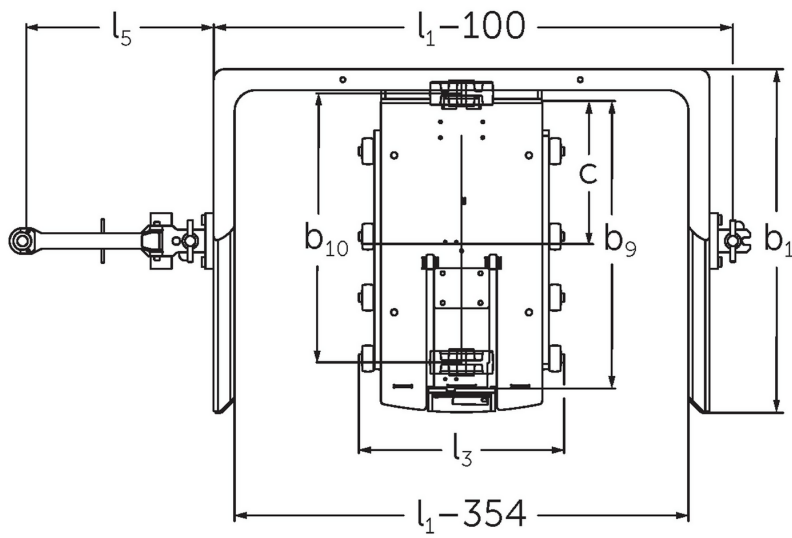
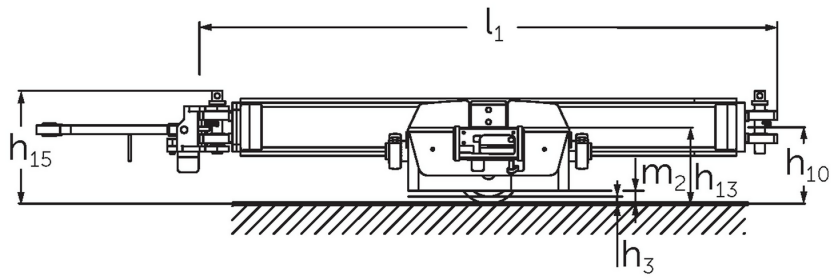


Trailer
GTE 106 / 212 / 312

GTE 106 / 212 / 312



VDI table


Stand-on: 09/2023

Characteristic	1.1	Manufacturer (abbreviated description)	Jungheinrich							
			GTE 106 1200x800	GTE 212 1200x800	GTE 312 1200x800	GTE 106 1200x1000	GTE 212 1200x1000	GTE 312 1200x1000		
Characteristic	1.2	Manufacturer's type designation								
	1.5	Load capacity/load	Q kg	600	1200		600	1200		
	1.6	Load centre distance	c mm	405			505			
	1.7	Rated drawbar pull	N	1400						
	Weights	2.1	tare weight	kg	195	250	263	220	283	296
Wheels/ suspension system	3.1	Tyres		Polyurethane (PU)						
	3.2	Tyre size, front		Ø 180x65						
	3.5	Wheels, number front/ back (x=driven)		2 / -						
	3.6	Tread width, front	b ₁₀ mm	770			970			
Basic dimensions	4.2.1	total height	h ₁₅ mm	309	346		309	346		
	4.4	Lift (h ₃)	h ₃ mm	20	62		20	62		
	4.12	Coupling height	h ₁₀ mm	219						
	4.15	Height, lowered	h ₁₃ mm	221	208		221	208		
	4.16	Loading area length	l ₃ mm	590	550		590	550		
	4.17	Overhang length	mm	547						
	4.18	Loading area width	b ₉ mm	810			1010			
	4.19	total length	l ₁ mm	1619						
	4.21.1	total width	b ₁ mm	985			1185			
	4.32	Ground clearance centre of wheelbase	m ₂ mm	37						
Performance data	5.1	Travel speed laden/ unladen	km/h	8.5 / 18						
	5.2	Lift speed laden/ unladen	m/s	0.03 / 0.03			-	0.03 / 0.03		
	5.3	Lowering speed laden/ unladen	m/s	0.03 / 0.03			-	0.03 / 0.03		
	5.7	Gradeability laden/ unladen	%	10 / 10						
	5.10	Service brake		none						
E-motor/ Electronics	6.2	Lift motor, performance with S3	kW	-	0.56		-	0.56		
	6.4	Battery voltage/ nominal capacity	V / Ah	-	24 / 0		-	24 / 0		
	6.6	Energy consumption according to VDI cycle	kWh/h	0						
Other	10.8	Trailer coupling, model/type DIN		GTE tiller						

- This data sheet according to VDI guideline 2198 only states the technical values of the standard truck. Different tyres, other masts, additional equipment etc. may result in different values.

- 1.7: a maximum of 4 trailers are recommended per train.
- 5.1: maximum permissible speed for trailers. Actual speed is dependent on load and tow tractor.
- 6.4: the nominal capacity of the battery comes from the basic truck.

The German production facilities in
Norderstedt, Moosburg and Landsberg
are certified as well as our Genuine Parts
Center in Kaltenkirchen. ISO 9001
ISO 14001

Jungheinrich fork lift trucks meet
European safety requirements. 

**JUNGHEINRICH**