

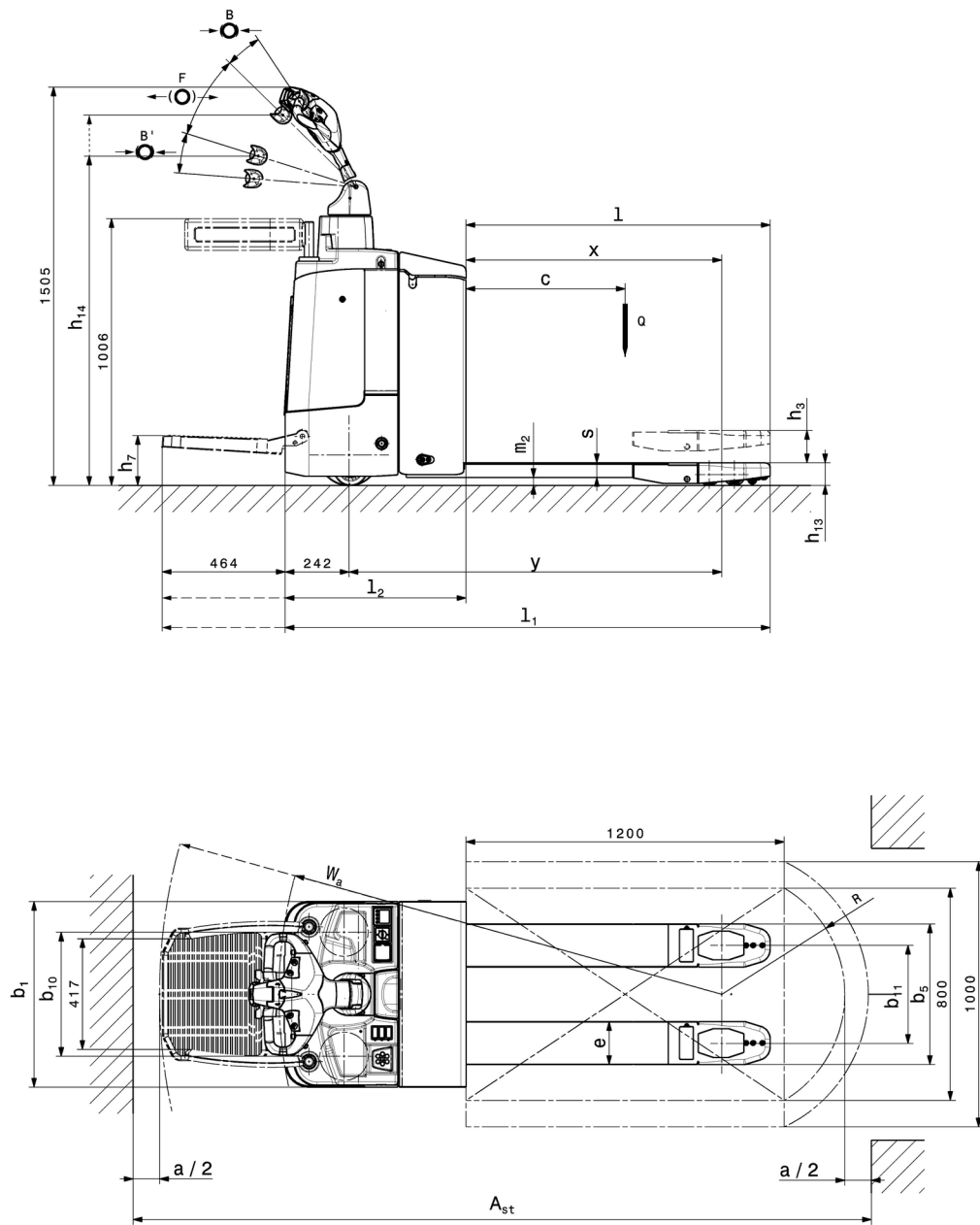


## **Electric ride-on/pedestrian pallet truck**

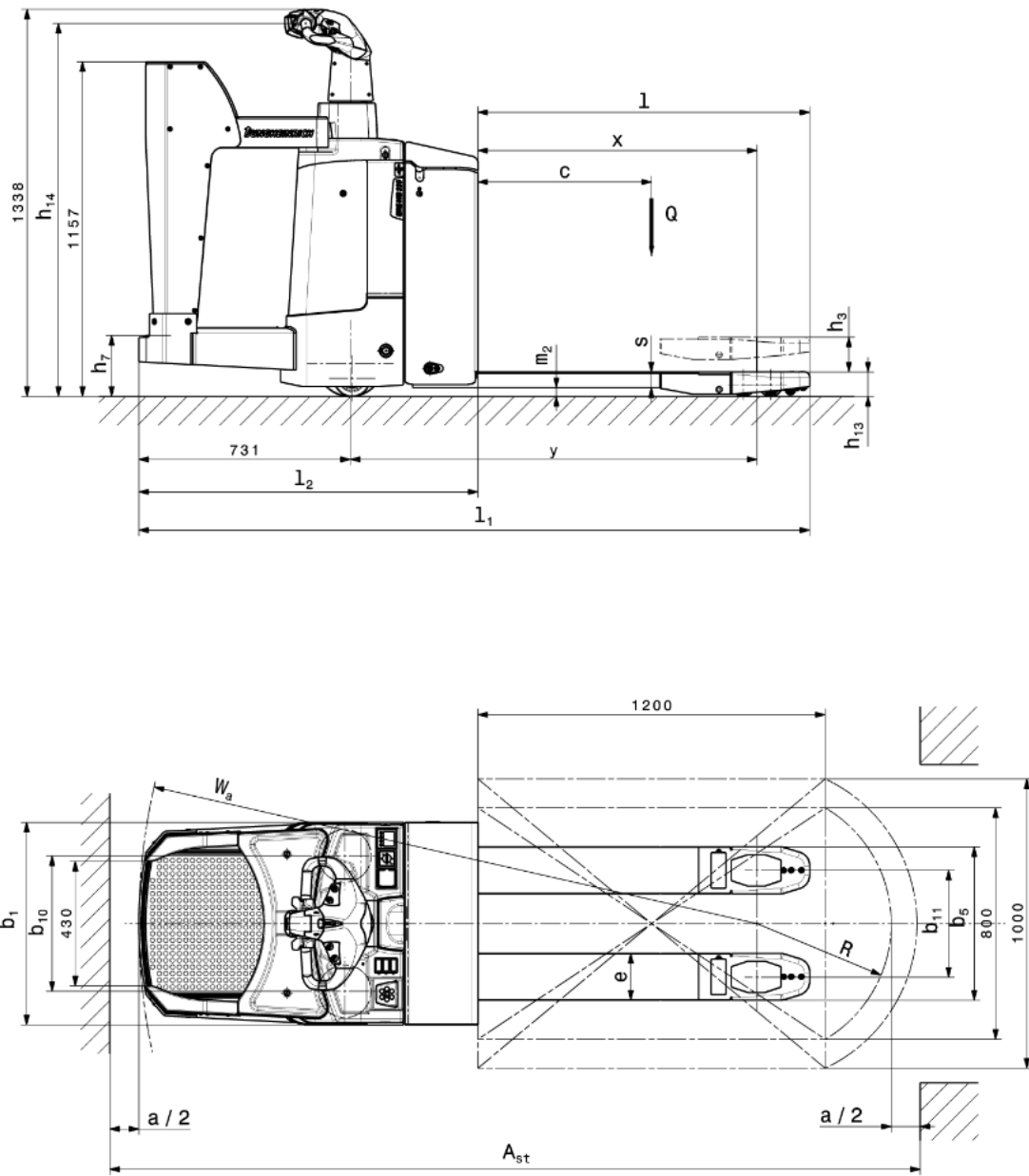
### **ERE MB 220 / 225**

**Lift height: 122 mm / Load capacity: 2000-2500 kg**

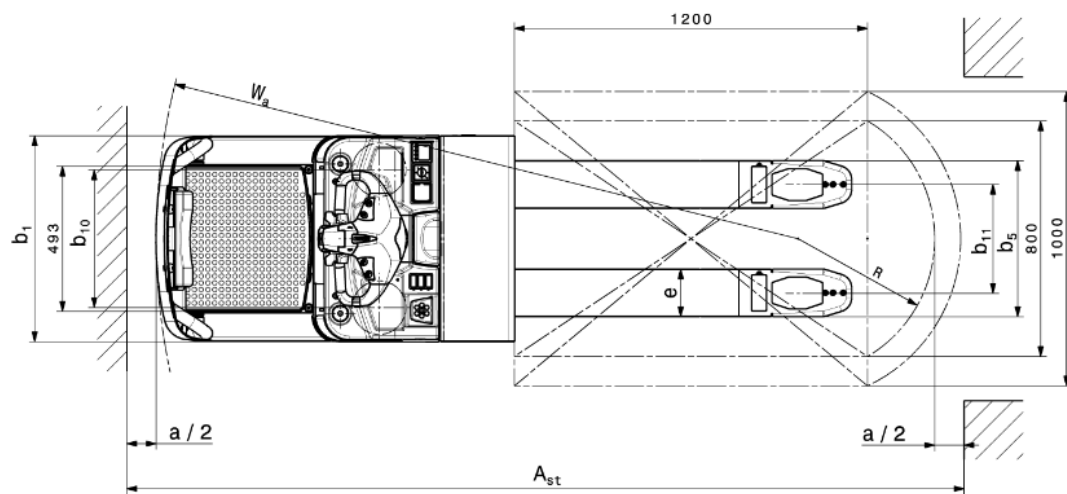
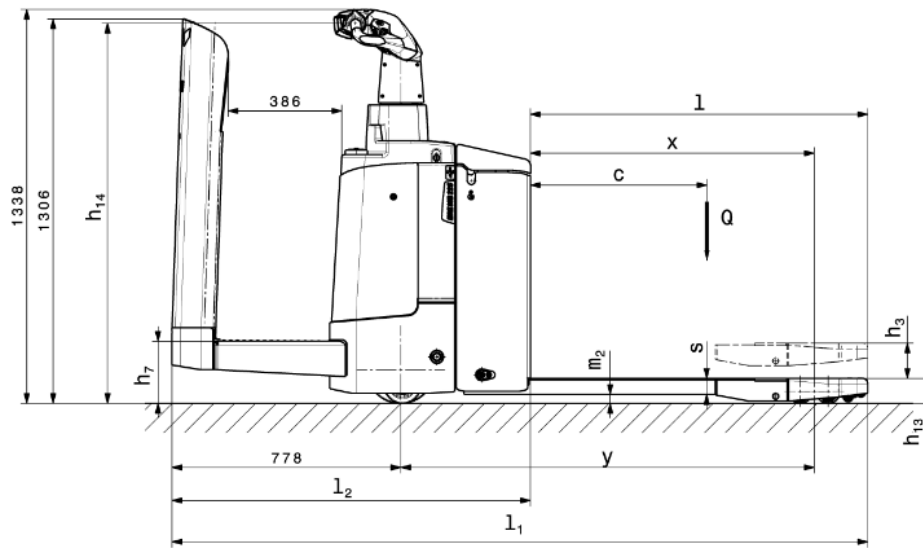
# ERE MB 220 / 225



# ERE MB 220 / 225



# ERE MB 220 / 225



# VDI table

Stand-on: 03/2023

Characteristic	Item No.	Description	Unit	Jungheinrich	
				ERE MB 220	ERE MB 225
Characteristic	1.1	Manufacturer (abbreviated description)		Jungheinrich	
	1.2	Manufacturer's type designation			
	1.3	Drive		Electric	
	1.4	Operation		Stand-on/pedestrian	
	1.5	Load capacity/load	Q kg	2000	2500
	1.6	Load centre distance	c mm	600	
	1.8	Load distance, centre of drive axle to fork	x mm	964	
	1.9	Wheelbase	y mm	1405	
Weights	2.1.1	Service weight (incl. battery)	kg	817	
	2.2	Axle load laden front/rear	kg	1173 / 2147	
	2.3	Axle load unladen front/rear	kg	675 / 142	
Wheels/suspension system	3.1	Tyres		Polyurethane (PU)	
	3.2	Tyre size, front		Ø 230 x 70	
	3.3	Tyre size, rear		Ø 85 x 100 / Ø 82 x 70	
	3.4	Additional wheels		Ø 125 x 54	
	3.5	Wheels, number front/back (x=driven)		1x+2/ 2 or 4	
	3.6	Tread width, front	b <sub>10</sub> mm	464	
	3.7	Tread width, rear	b <sub>11</sub> mm	368	
Basic dimensions	4.4	Lift (h <sub>3</sub> )	h <sub>3</sub> mm	122	
	4.9	Height of tiller handle in drive position min./max.	mm	1240 / 1400	
	4.15	Height, lowered	h <sub>13</sub> mm	85	
	4.19	Overall length	l <sub>1</sub> mm	1832	
	4.20	Length including fork shank	l <sub>2</sub> mm	682	
	4.21.1	Overall width	b <sub>1</sub> mm	700	
	4.22	Fork dimensions	s/e/l mm	55 x 162 x 1150	
	4.25	Width across forks	b <sub>5</sub> mm	530	
	4.32	Ground clearance centre of wheelbase	m <sub>2</sub> mm	30	
	4.34.1	Aisle width (pallet 1000x1200 sideways)	A <sub>st</sub> mm	2424	
	4.34.2	Aisle width (pallet 800x1200 length)	A <sub>st</sub> mm	2334	
4.35	Turning radius	W <sub>a</sub> mm	1670		
Performance data	5.1	Travel speed laden/unladen	km/h	8.5 / 8.5	8 / 8.5
	5.2	Lift speed laden/unladen	m/s	0.05 / 0.07	
	5.3	Lowering speed laden/unladen	m/s	0.06 / 0.05	
	5.7	Gradeability laden/unladen	%	8 / 16	
	5.10	Service brake		generative	
E - motor/Electronics	6.1	Drive motor, performance S2 60 min	kW	1.6	
	6.2	Lift motor, performance with S3	kW	2.2	
	6.3	Battery according to DIN 43531/35/36		B	
	6.4	Battery voltage/nominal capacity	V / Ah	24 / 250	
	6.5	Battery weight	kg	212	
	6.6.1	Energy consumption according to EN cycle	kWh/h	0.61	
	6.6.2	CO2 equivalent as per EN 16796	kg/h	0.3	
Other	8.1	Type of drive control		AC	
	10.7	Sound level as per EN12053, operator's ear	dB (A)	69	

- This data sheet according to VDI guideline 2198 only states the technical values of the standard truck. Different tyres, other masts, additional equipment etc. may result in different values.

The German production facilities in  
Norderstedt, Moosburg and Landsberg  
are certified as well as our Genuine Parts  
Center in Kaltenkirchen.

ISO 9001  
ISO 14001

Jungheinrich fork lift trucks meet  
European safety requirements.



 **JUNGHEINRICH**

The Jungheinrich logo, featuring a red upward-pointing arrow above the word 'JUNGHEINRICH' in a bold, black, sans-serif font.