

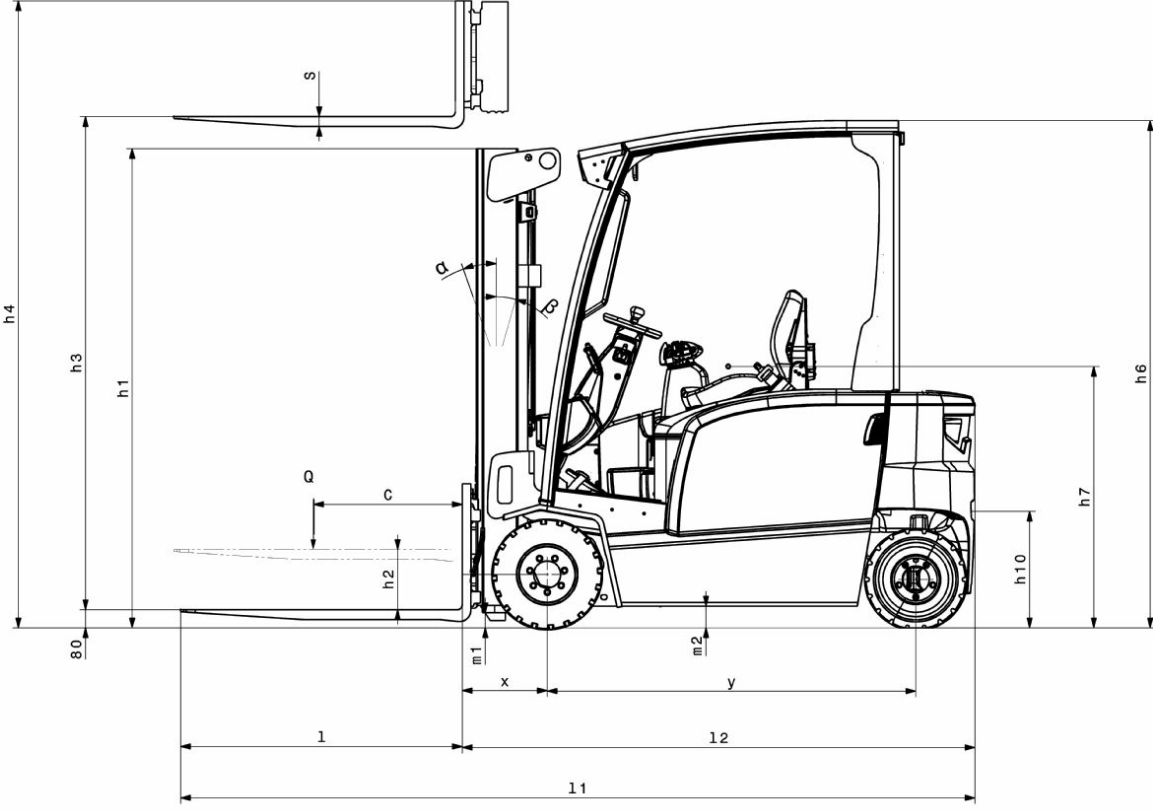


Electric four wheel counterbalance forklift truck

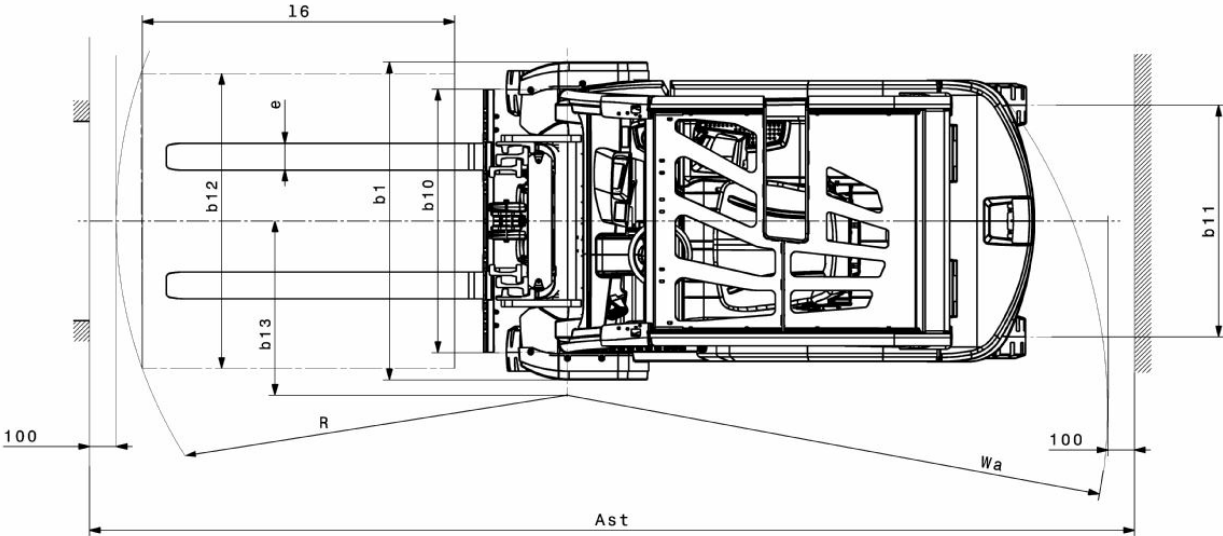
EFG MC 316k/316/320/325k/325/330

Lift height: 3000-6500 mm / Load capacity: 1600-3000 kg

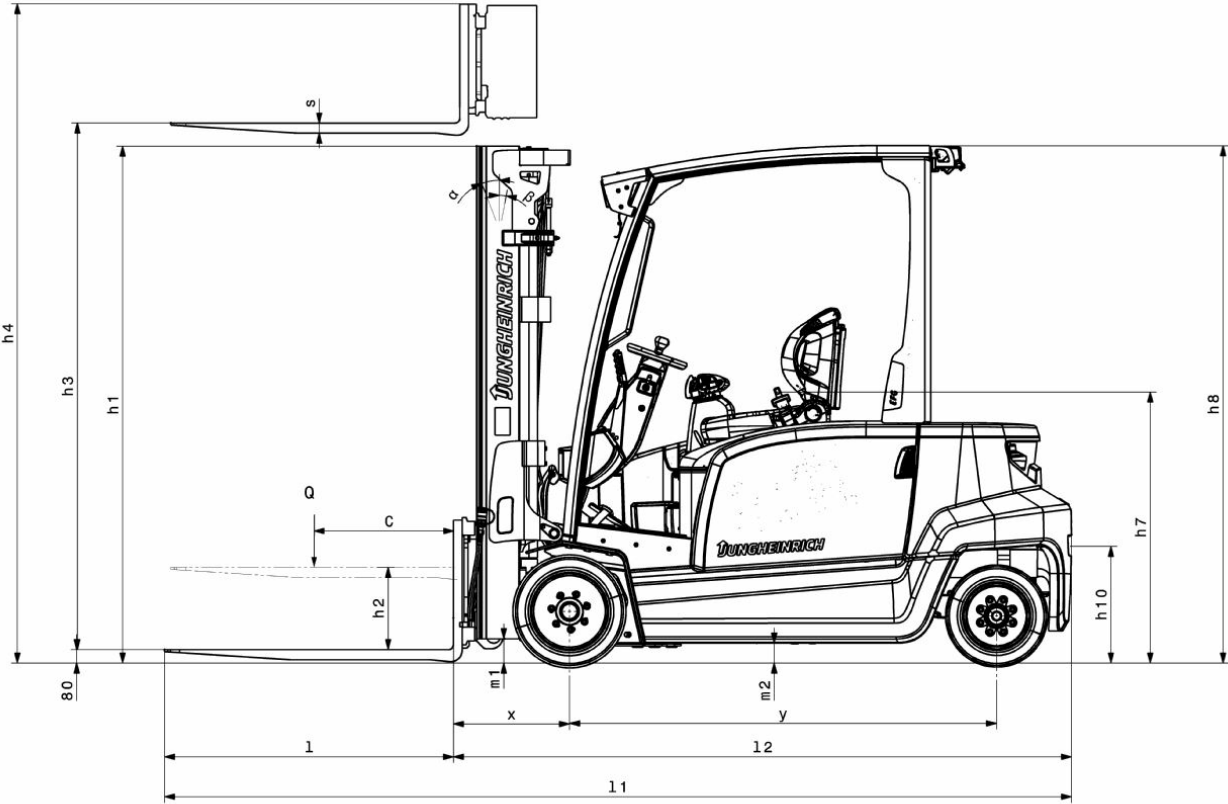
EFG MC 316k/316/320/325k/325/330



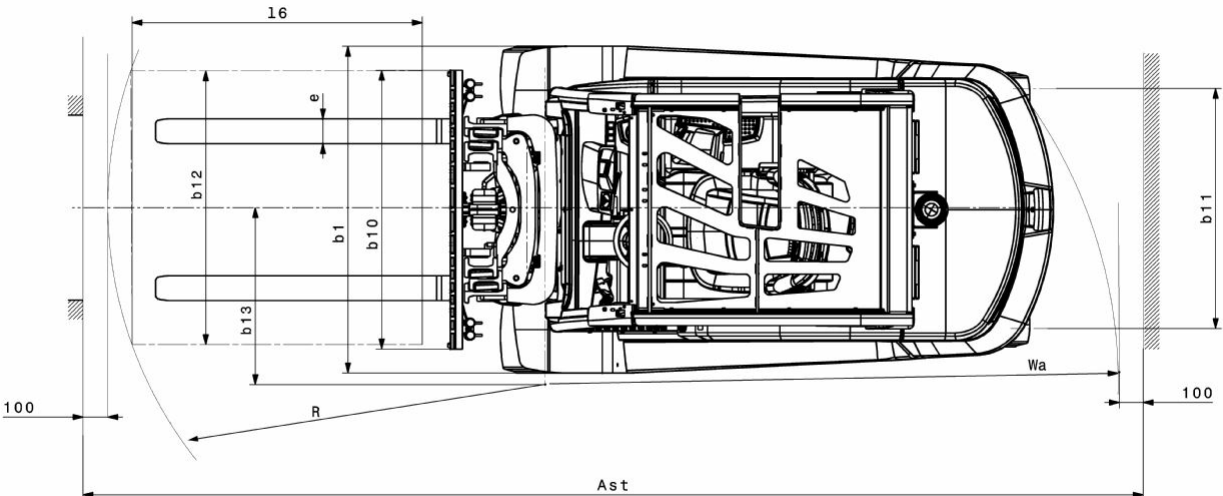
EFG MC 316k/316/320/325k/325/330



EFG MC 316k/316/320/325k/325/330



EFG MC 316k/316/320/325k/325/330



EFG MC 316k/316/320/325k/325/330

EFG MC 316k, EFG MC 316	Lift (h3)	Retracted mast height (h1)	Free lift (h2)	Extended mast height (h4)	Forward/backward tilt of mast
Mast tilt / Duplex mast ZT / hot-rolled	3000 mm	2000 mm	150 mm	3555 mm	7 / 5 °
	3300 mm	2150 mm	150 mm	3855 mm	7 / 5 °
	3600 mm	2300 mm	150 mm	4155 mm	7 / 5 °
	4000 mm	2500 mm	150 mm	4555 mm	7 / 5 °
	4500 mm	2800 mm	150 mm	5055 mm	7 / 5 °
	5000 mm	3050 mm	150 mm	5555 mm	7 / 5 °
Mast tilt / Duplex mast ZZ / hot-rolled	3300 mm	2105 mm	1470 mm	3855 mm	7 / 5 °
	3600 mm	2255 mm	1620 mm	4155 mm	7 / 5 °
	4000 mm	2455 mm	1820 mm	4555 mm	7 / 5 °
Mast tilt / Triplex mast DZ / hot-rolled	4500 mm	2005 mm	1360 mm	5055 mm	7 / 5 °
	4800 mm	2105 mm	1460 mm	5355 mm	7 / 5 °
	5000 mm	2180 mm	1530 mm	5555 mm	7 / 5 °
	5500 mm	2355 mm	1710 mm	6055 mm	7 / 5 °
	6000 mm	2555 mm	1910 mm	6555 mm	7 / 5 °
	6500 mm	2805 mm	2160 mm	7055 mm	7 / 5 °
EFG MC 320	Lift (h3)	Retracted mast height (h1)	Free lift (h2)	Extended mast height (h4)	Forward/backward tilt of mast
Mast tilt / Duplex mast ZT / hot-rolled	3000 mm	2000 mm	150 mm	3605 mm	7 / 5 °
	3300 mm	2150 mm	150 mm	3905 mm	7 / 5 °
	3600 mm	2300 mm	150 mm	4205 mm	7 / 5 °
	4000 mm	2500 mm	150 mm	4605 mm	7 / 5 °
	4500 mm	2800 mm	150 mm	5105 mm	7 / 5 °
	5000 mm	3050 mm	150 mm	5605 mm	7 / 5 °
Mast tilt / Duplex mast ZZ / hot-rolled	3300 mm	2105 mm	1470 mm	3935 mm	7 / 5 °
	3600 mm	2255 mm	1620 mm	4235 mm	7 / 5 °
	4000 mm	2455 mm	1820 mm	4635 mm	7 / 5 °
Mast tilt / Triplex mast DZ / hot-rolled	4500 mm	2005 mm	1360 mm	5135 mm	7 / 5 °
	4800 mm	2105 mm	1460 mm	5435 mm	7 / 5 °
	5000 mm	2180 mm	1530 mm	5635 mm	7 / 5 °
	5500 mm	2355 mm	1710 mm	6135 mm	7 / 5 °

	6000 mm	2555 mm	1910 mm		6635 mm	7 / 5 °
	6500 mm	2805 mm	2160 mm		7135 mm	7 / 5 °
EFG MC 325k, EFG MC 325	Lift (h3)	Retracted mast height (h1)	Free lift (h2)		Extended mast height (h4)	Forward/backward tilt of mast
Mast tilt / Duplex mast ZT / hot-rolled	3100 mm	2200 mm	150 mm		3700 mm	7 / 5 °
	3300 mm	2300 mm	150 mm		3900 mm	7 / 5 °
	3500 mm	2400 mm	150 mm		4100 mm	7 / 5 °
	3700 mm	2500 mm	150 mm		4300 mm	7 / 5 °
	4000 mm	2650 mm	150 mm		4600 mm	7 / 5 °
	4500 mm	2950 mm	150 mm		5100 mm	7 / 5 °
Mast tilt / Duplex mast ZZ / hot-rolled	3100 mm	2160 mm	1600 mm		3700 mm	7 / 5 °
	3300 mm	2260 mm	1700 mm		3900 mm	7 / 5 °
	3500 mm	2360 mm	1800 mm		4100 mm	7 / 5 °
	4000 mm	2610 mm	2060 mm		4600 mm	7 / 5 °
Mast tilt / Triplex mast DZ / hot-rolled	4400 mm	2060 mm	1500 mm		5000 mm	7 / 5 °
	4700 mm	2160 mm	1600 mm		5300 mm	7 / 5 °
	5000 mm	2260 mm	1700 mm		5600 mm	7 / 5 °
EFG MC 330	Lift (h3)	Retracted mast height (h1)	Free lift (h2)		Extended mast height (h4)	Forward/backward tilt of mast
Mast tilt / Duplex mast ZT / hot-rolled	3100 mm	2200 mm	150 mm		3850 mm	7 / 5 °
	3300 mm	2300 mm	150 mm		4050 mm	7 / 5 °
	3500 mm	2400 mm	150 mm		4250 mm	7 / 5 °
	3700 mm	2500 mm	150 mm		4450 mm	7 / 5 °
	4000 mm	2650 mm	150 mm		4750 mm	7 / 5 °
	4500 mm	2950 mm	150 mm		5250 mm	7 / 5 °
Mast tilt / Duplex mast ZZ / hot-rolled	3100 mm	2160 mm	1440 mm		3850 mm	7 / 5 °
	3300 mm	2260 mm	1540 mm		4050 mm	7 / 5 °
	3500 mm	2360 mm	1640 mm		4250 mm	7 / 5 °
	4000 mm	2610 mm	1900 mm		4750 mm	7 / 5 °
Mast tilt / Triplex mast DZ / hot-rolled	4400 mm	2060 mm	1340 mm		5150 mm	7 / 5 °
	4700 mm	2160 mm	1440 mm		5450 mm	7 / 5 °
	5000 mm	2260 mm	1540 mm		5750 mm	7 / 5 °


VDI table

Stand-on: 05/2023

Characteristic	1.1	Manufacturer (abbreviated description)	Jungheinrich							
			EFG MC 316K	EFG MC 316	EFG MC 320	EFG MC 325k	EFG MC 325	EFG MC 330		
Characteristic	1.2	Manufacturer's type designation	Electric							
	1.3	Drive	Seat							
	1.4	Operation	Seat							
	1.5	Load capacity/load	Q	kg	1600	2000	2500	3000		
	1.6	Load centre distance	c	mm	500					
	1.8	Load distance, centre of drive axle to fork	x	mm	352		467		472	
	1.9	Wheelbase	y	mm	1398	1506	1453	1561	1700	
	Weights	2.1.1	Service weight (incl. battery)	kg	3261	3437	3768	4397	4502	4783
		2.2	Axle load laden front/rear	kg	4094 / 767	3989 / 1048	4971 / 797	6207 / 690	6302 / 700	7004 / 779
2.3		Axle load unladen front/rear	kg	1596 / 1665	1699 / 1738	1880 / 1888	1855 / 2542	1981 / 2521	2248 / 2535	
Wheels/suspension system	3.1	Tyres	Super-elastic (SE)							
	3.2	Tyre size, front	18x7-8		200/50-10		18 x 9 - 12		TANDEM, 18 x 5 & 6 - 12(1/8)	
	3.3	Tyre size, rear	16x6-8			16 x 6 -10 (1/2)		16 x 7 -10 (1/2)		
	3.5	Wheels, number front/back (x=driven)	2x/2			2x / 2				
	3.6	Tread width, front	b ₁₀	mm	904	924	938	1013		
	3.7	Tread width, rear	b ₁₁	mm	870		864	995		
	Basic dimensions	4.1	Forward/backward tilt of mast	a/β	°	7 / 5				
4.2		Retracted mast height (h1)	h ₁	mm	2000		2200			
4.2.1		Overall height	h ₁₅	mm	2080		2200			
4.3		Free lift (h2)	h ₂	mm	150					
4.4		Lift (h3)	h ₃	mm	3000		3100			
4.5		Extended mast height (h4)	h ₄	mm	3555	3605	3700	3850		
4.7		Height of overhead guard (cab)	h ₆	mm	2080					
4.8		Seat height/stand height	h ₇	mm	1030					
4.12		Coupling height	h ₁₀	mm	475					
4.19		Overall length	l ₁	mm	2988	3096	3213	3321	3469	
4.20		Length including fork shank	l ₂	mm	1988	2096	2213	2321	2469	
4.21.1		Overall width	b ₁	mm	1060	1120	1170		1313	
4.22		Fork dimensions	s/ e/l	mm	40 x 100 x 1000				45 x 125 x 1000	
4.23		Fork carriage connection class	2A						3A	
4.24		Fork carriage width	b ₃	mm	980		1120			
4.31		Ground clearance laden under mast	m ₁	mm	97					
4.32		Ground clearance centre of wheelbase	m ₂	mm	83		88			
4.34.1		Aisle width (pallet 1000x1200 sideways)	Ast	mm	3405	3513	3608	3727	3897	
4.34.2		Aisle width (pallet 800x1200 length)	Ast	mm	3604	3712	3807	3927	4097	
4.35		Turning radius	W _a	mm	1852	1960	1940	2060	2225	
4.36	Smallest pivot point distance	b ₁₃	mm	542	562	542	600	667		

Performance data	5.1	Travel speed laden/unladen	km/h	16 / 16		0 / 0	
	5.2	Lift speed laden/unladen	m/s	0.43 / 0.66	0.38 / 0.52	0 / 0	
	5.3	Lowering speed laden/unladen	m/s	0.55 / 0.55			
	5.5	Drawbar pull laden	N	2100	1900	2400	2300
	5.6	Max. drawbar pull laden/unladen	N	13500 / 13500		14000 / 8700	13800 / 14600
	5.7	Gradeability laden/unladen	%	12 / 20		9 / 13	8 / 12
	5.8	Max. gradeability laden/unladen	%	24 / 35	22 / 35	16 / 22	15 / 22
	5.9	Acceleration time laden/unladen	s	5.2 / 4.9	5 / 4.5	0 / 0	
	5.10	Service brake		mechanical/hydraulic			
	E-motor/Electronics	6.1	Drive motor, performance S2 60 min	kW	4.6		
6.1.1		2. Drive motor, performance S2 60 min	kW	4.6			
6.2		Lift motor, performance with S3	kW	15.5			
6.3		Battery according to DIN 43531/35/36		DIN 43531 A			
6.4		Battery voltage/nominal capacity	V / Ah	48 / 625	48 / 750	48 / 625	48 / 750
6.5		Battery weight	kg	856	1013	856	1013
6.6.1		Energy consumption according to EN cycle	kWh/h	4.8	4.94	0	
6.6.2		CO2 equivalent as per EN 16796	kg/h	2.6		-	
6.7		Throughput	t/h	118	141	0	
6.8.1		Energy consumption with max. throughput	kWh/h	6.39	7.27	0	
Other	8.1	Type of drive control		Impulse/AC			
	10.1	Operating pressure for attachment	bar	230			
	10.2	Oil flow for attachments	l/min	22		25	
	10.7	Sound level as per EN12053, operator's ear	dB (A)	72		78	
	10.8	Trailer coupling, model/type DIN		Bolts			
- This data sheet according to VDI guideline 2198 only states the technical values of the standard truck. Different tyres, other masts, additional equipment etc. may result in different values.							

The German production facilities in
Norderstedt, Moosburg and Landsberg
are certified as well as our Genuine Parts
Center in Kaltenkirchen. ISO 9001
ISO 14001

Jungheinrich fork lift trucks meet
European safety requirements. 

 **JUNGHEINRICH**