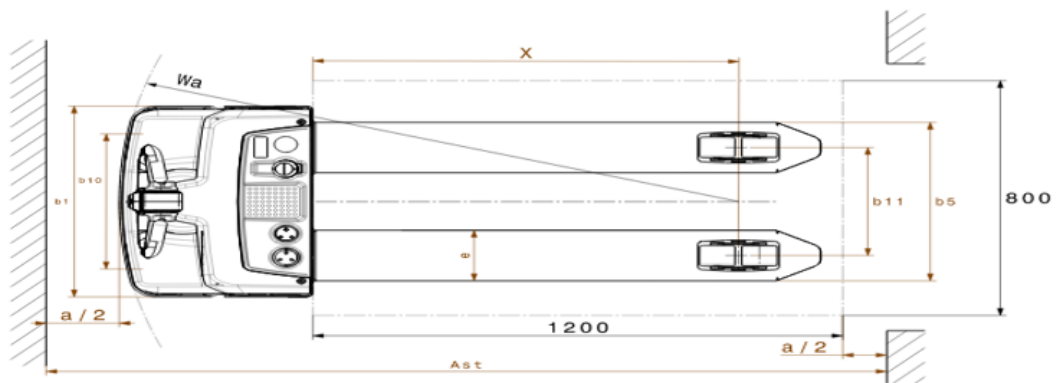
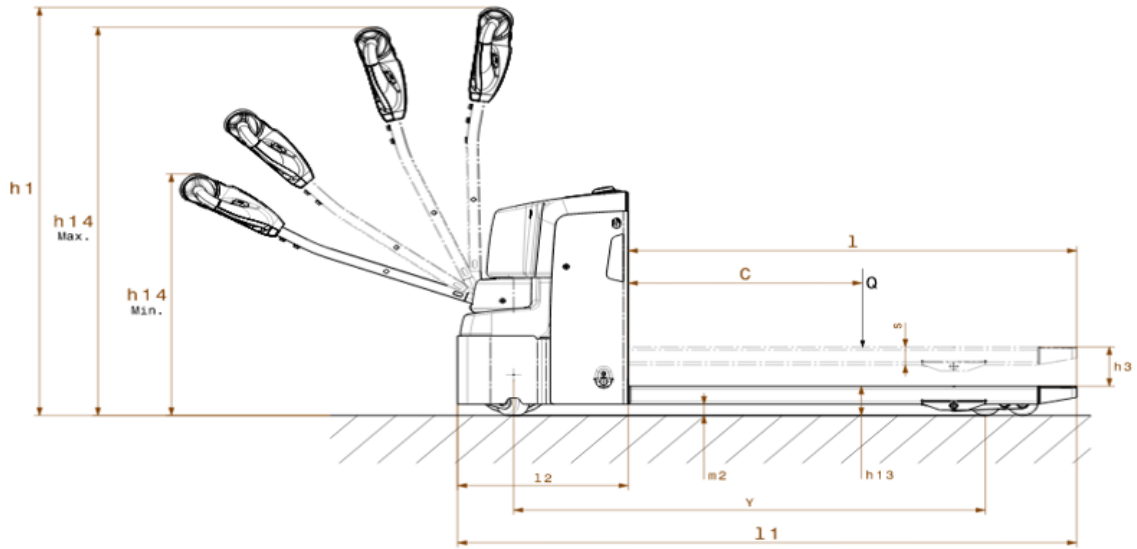




Electric pedestrian pallet truck **EJE BA 115 / 120**

Load capacity: 1500-2000 kg

EJE BA 115 / 120



VDI table


Stand-on: 09/2023

				Jungheinrich			
Characteristic	1.1	Manufacturer (abbreviated description)					
	1.2	Manufacturer's type designation		EJE BA 115	EJE BA 120		
	1.3	Drive		Electric			
	1.4	Operation		Pedestrian			
	1.5	Load capacity/load	Q	kg	1500	2000	
	1.6	Load centre distance	c	mm	600		
	1.8	Load distance, centre of drive axle to fork	x	mm	914		
	1.9	Wheelbase	y	mm	1212		
	Weights	2.1.1	Service weight (incl. battery)		kg		219
2.2		Axle load laden front/rear		kg		703 / 816	
2.3		Axle load unladen front/rear		kg		166 / 53	
Wheels/suspension system	3.1	Tyres		TPU/PU		Polyurethane (PU)	
	3.2	Tyre size, front		Ø 210 x 70			
	3.3	Tyre size, rear		Ø 80 x 70			
	3.4	Additional wheels		2 x Ø 80 x 40			
	3.5	Wheels, number front/back (x=driven)		1x+2/4			
	3.6	Tread width, front	b10	mm	460		
	3.7	Tread width, rear	b11	mm	368		
Basic dimensions	4.4	Lift (h3)		h3		mm	120
	4.9	Height of tiller handle in drive position min./max.		h14		mm	740 / 1190
	4.15	Height, lowered		h13		mm	85
	4.19	total length		l1		mm	1585
	4.20	Length including fork shank		l2		mm	435
	4.21.1	total width		b1		mm	650
	4.22	Fork dimensions		s/e/l		mm	55 x 172 x 1150
	4.25	Width across forks		b5		mm	540
	4.32	Ground clearance centre of wheelbase		m2		mm	35
	4.34.2	Aisle width (pallet 800x1200 length)		Ast		mm	1843
4.35	Turning radius		Wa		mm	1357	
Performance data	5.1	Travel speed laden/unladen		km/h		5 / 5	
	5.2	Lift speed laden/unladen		m/s		0.05 / 0.06	
	5.3	Lowering speed laden/unladen		m/s		0.04 / 0.02	
	5.8	Max. gradeability laden/unladen		%		6 / 16	
	5.10	Service brake				electric	
E-motor/Electronics	6.1	Drive motor, performance S2 60 min		kW		1	
	6.2	Lift motor, performance with S3		kW		1.2	
	6.3	Battery according to DIN 43531/35/36				no	
	6.4	Battery voltage/nominal capacity		V / Ah		24 / 50	24 / 100
	6.5	Battery weight		kg		15	30
	6.6.1	Energy consumption according to EN cycle		kWh/h		0.16	
	6.6.2	CO2 equivalent as per EN 16796		kg/h		0.1	
Other	8.1	Type of drive control				BLDC brushless direct current	
	10.7	Sound level as per EN12053, operator's ear		dB (A)		64	

- This data sheet according to VDI guideline 2198 only states the technical values of the standard truck. Different tyres, other masts, additional equipment etc. may result in different values.

8.4: 60 dB is per PEAK.

The German production facilities in
Norderstedt, Moosburg and Landsberg
are certified as well as our Genuine Parts
Center in Kaltenkirchen. ISO 9001
ISO 14001

Jungheinrich fork lift trucks meet
European safety requirements. 

 **JUNGHEINRICH**