

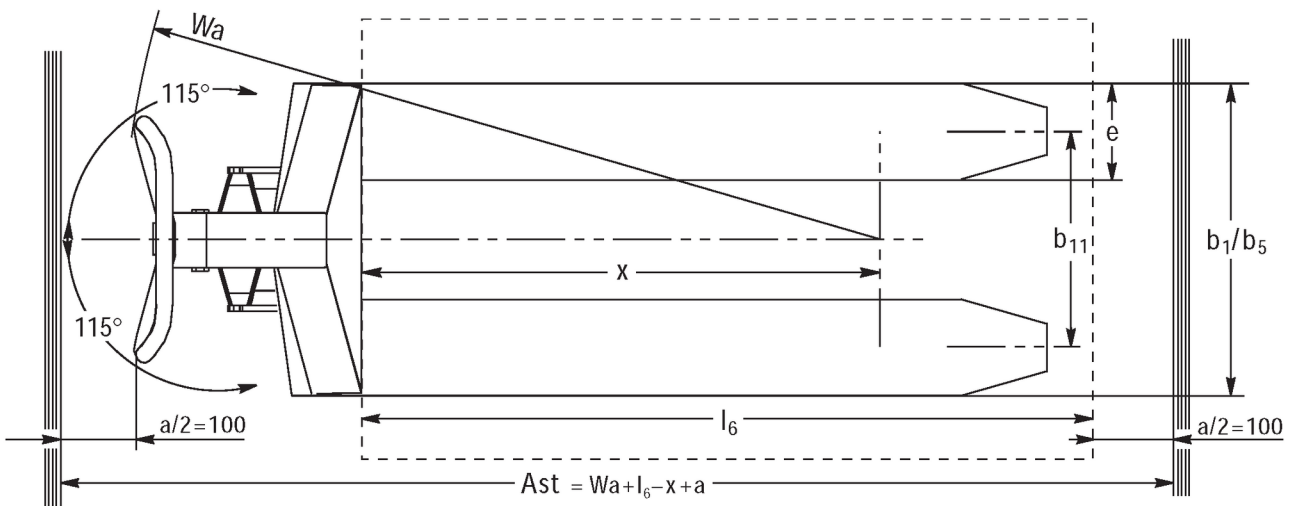
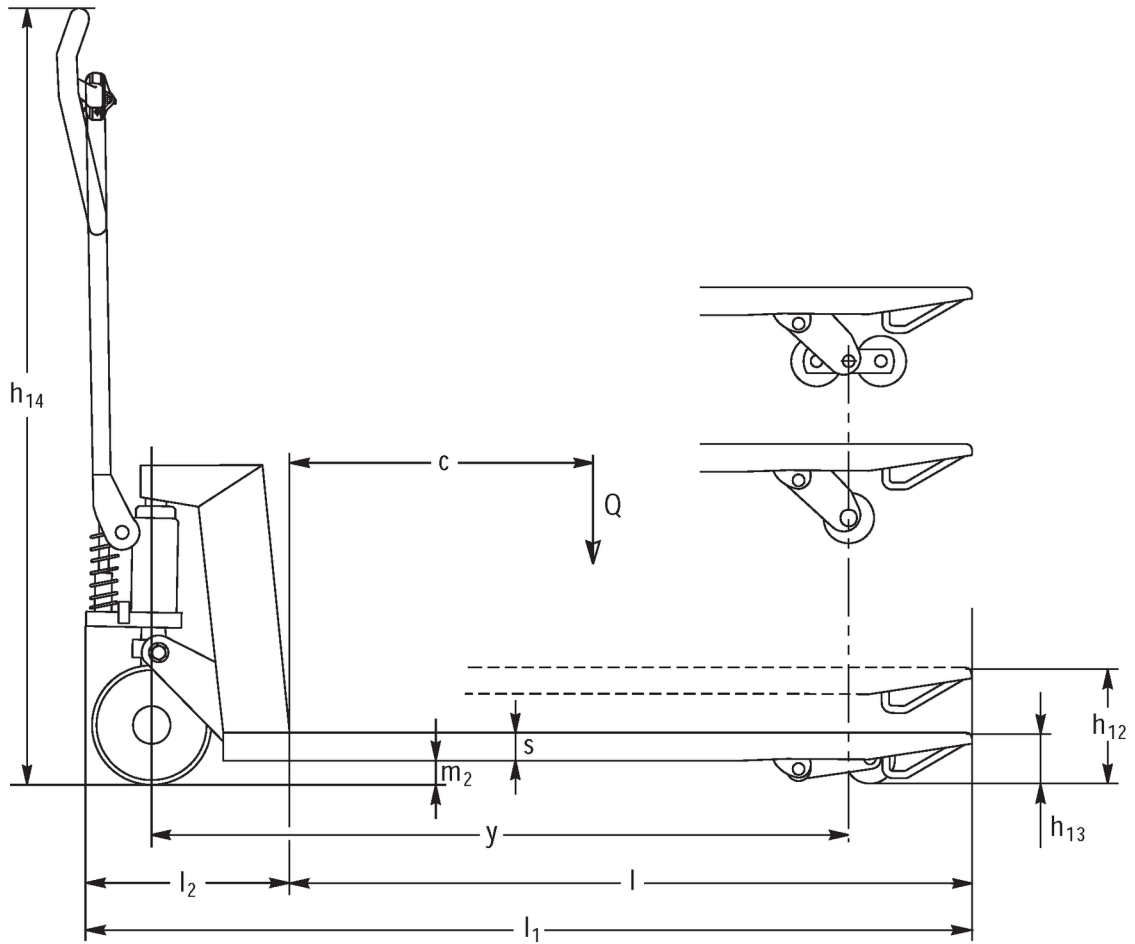


Hand pallet truck

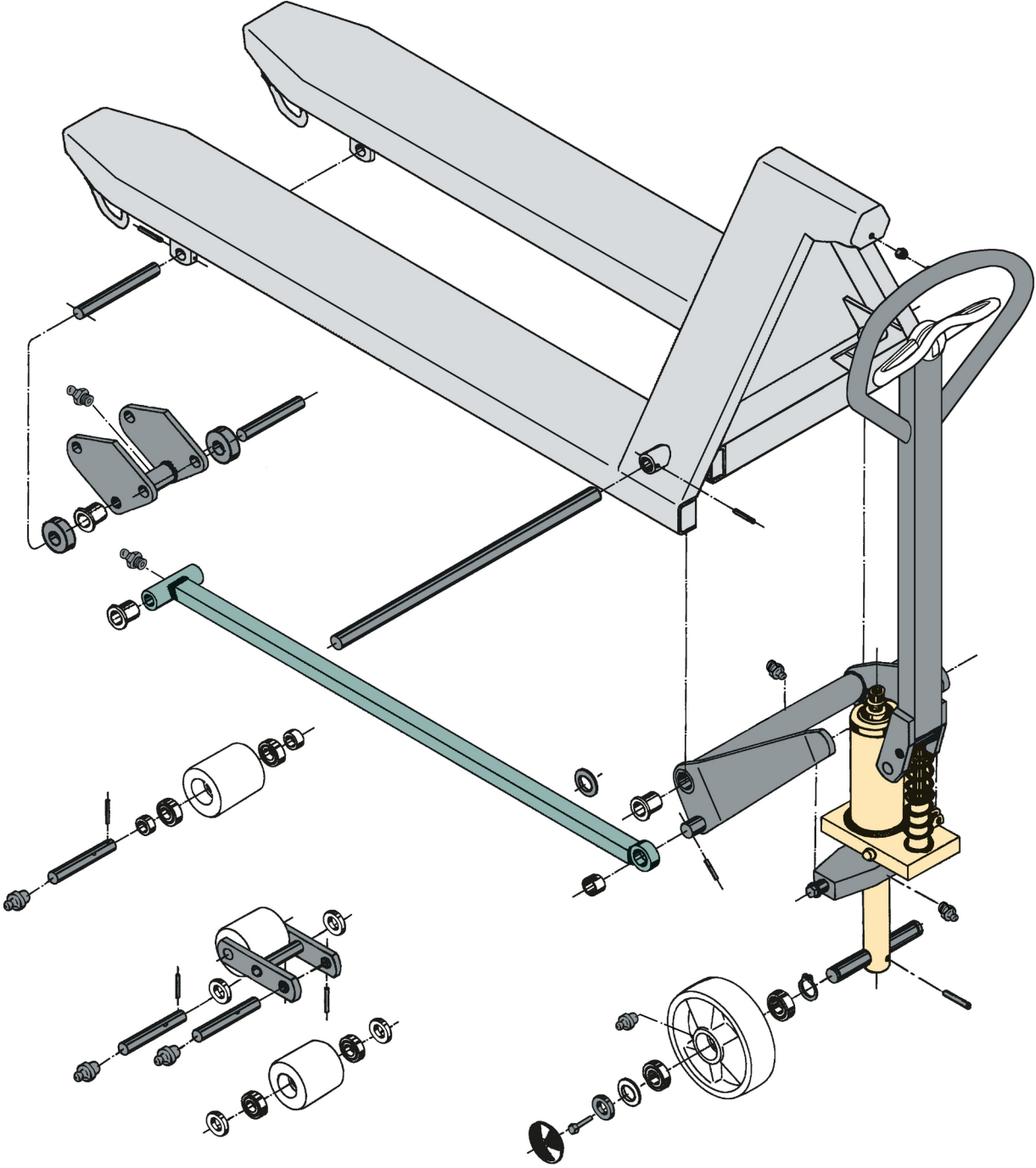
AM 120 / 120p

Lift height: 120 mm / Load capacity: 2000 kg

AM l20 / l20p

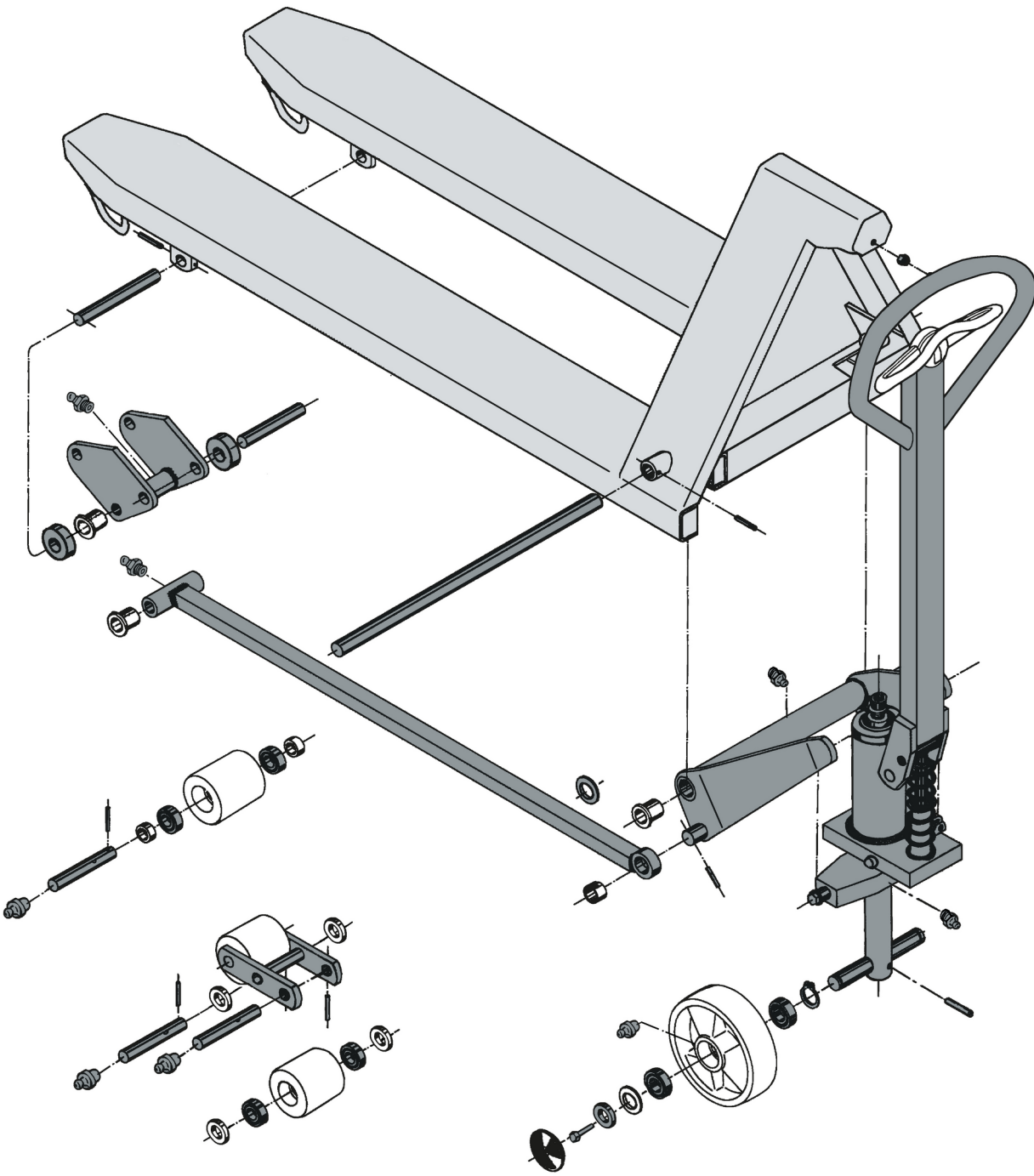


AM 120 / 120p



AM I20

AM 120 / 120p



AM 120p

VDI table

Stand-on: 02/2024

Characteristic	1.1	Manufacturer (abbreviated description)																						
	1.2	Manufacturer's type designation																						
	1.3	Drive																						
	1.4	Operation																						
	1.5	Load capacity/load	Q	kg																				
Weights	1.6	Load centre distance	c	mm	610				570				485				405				610			
	1.9	Wheelbase	y	mm	1245				1165				995				835				1245			
	2.1	tare weight		kg	81	78			75	72	69			65	75	72								
	2.1.1	Service weight (incl. battery)		kg	81	78	-			72	69	66	-			75	72							
	2.2	Axle load laden front/rear		-	- / -																			
	2.3	Axle load unladen front/rear		-	- / -																			
	Wheels/suspension system	3.1	Tyres	V-BV N-BN V-GV N-GN V-BV N-BN C-GV N-GN V-BV N-BN V-GV N-GN V-BV N-BN V-GV N-GN V-BV N-BN V-GV N-GN																				
		3.2	Tyre size, front																					
		3.3	Tyre size, rear	∅ 80x70	∅ 80x65	∅ 80x90	∅ 80x70	∅ 80x65	∅ 80x90	∅ 80x70	∅ 80x65	∅ 80x90	∅ 80x70	∅ 80x65	∅ 80x90	∅ 80x70	∅ 80x65	∅ 80x90	∅ 80x70	∅ 80x65	∅ 80x90	∅ 80x70		
		3.5	Wheels, number front/back (x=driven)																					
3.6		Tread width, front	b10	mm																				
3.7		Tread width, rear	b11	mm	520																			
Basic dimensions		4.4	Lift (h3)	h3	mm																			
	4.9	Height of tiller handle in drive position min./max.	h14	mm	1170																			
	4.14	Stand height, elevated	h12	mm	205																			
	4.15	Height, lowered	h13	mm																				
	4.19	total length	l1	mm	1555				1475				1305				1145				1555			
	4.20	Length including fork shank	l2	mm	-																			
	4.21.1	total width	b1	mm	680																			
	4.22	Fork dimensions	s/e/l	mm	51 x 160 x 1220				51 x 160 x 1140				51 x 160 x 970				51 x 160 x 810				51 x 160 x 1220			
	4.25	Width across forks	b5	mm	680																			
	4.32	Ground clearance centre of wheelbase	m2	mm	34																			
4.34.1	Aisle width (pallet 1000x1200 sideways)	Ast	mm																					
4.34.2	Aisle width (pallet)	Ast	mm	1830				1810				1810				1830								

Performance data	4.35	800x1200 length) Turning radius	Wa mm	1410	1330	1160	1000	1410
	3	Lowering speed laden/ unladen	m/s					
- This data sheet according to VDI guideline 2198 only states the technical values of the standard truck. Different tyres, other masts, additional equipment etc. may result in different values.								

The German production facilities in
Norderstedt, Moosburg and Landsberg
are certified as well as our Genuine Parts
Center in Kaltenkirchen. ISO 9001
ISO 14001

Jungheinrich fork lift trucks meet
European safety requirements. 

 **JUNGHEINRICH**