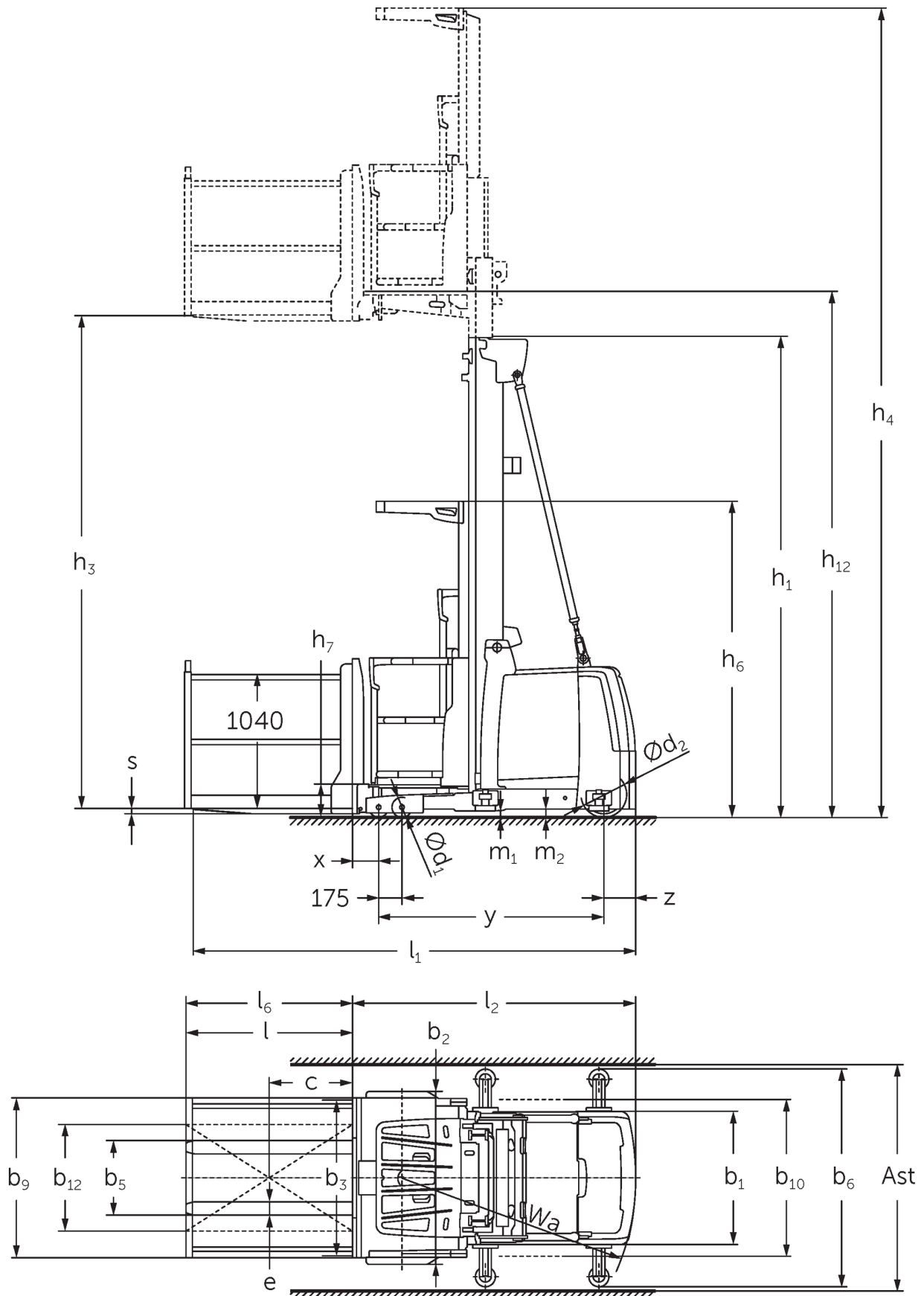




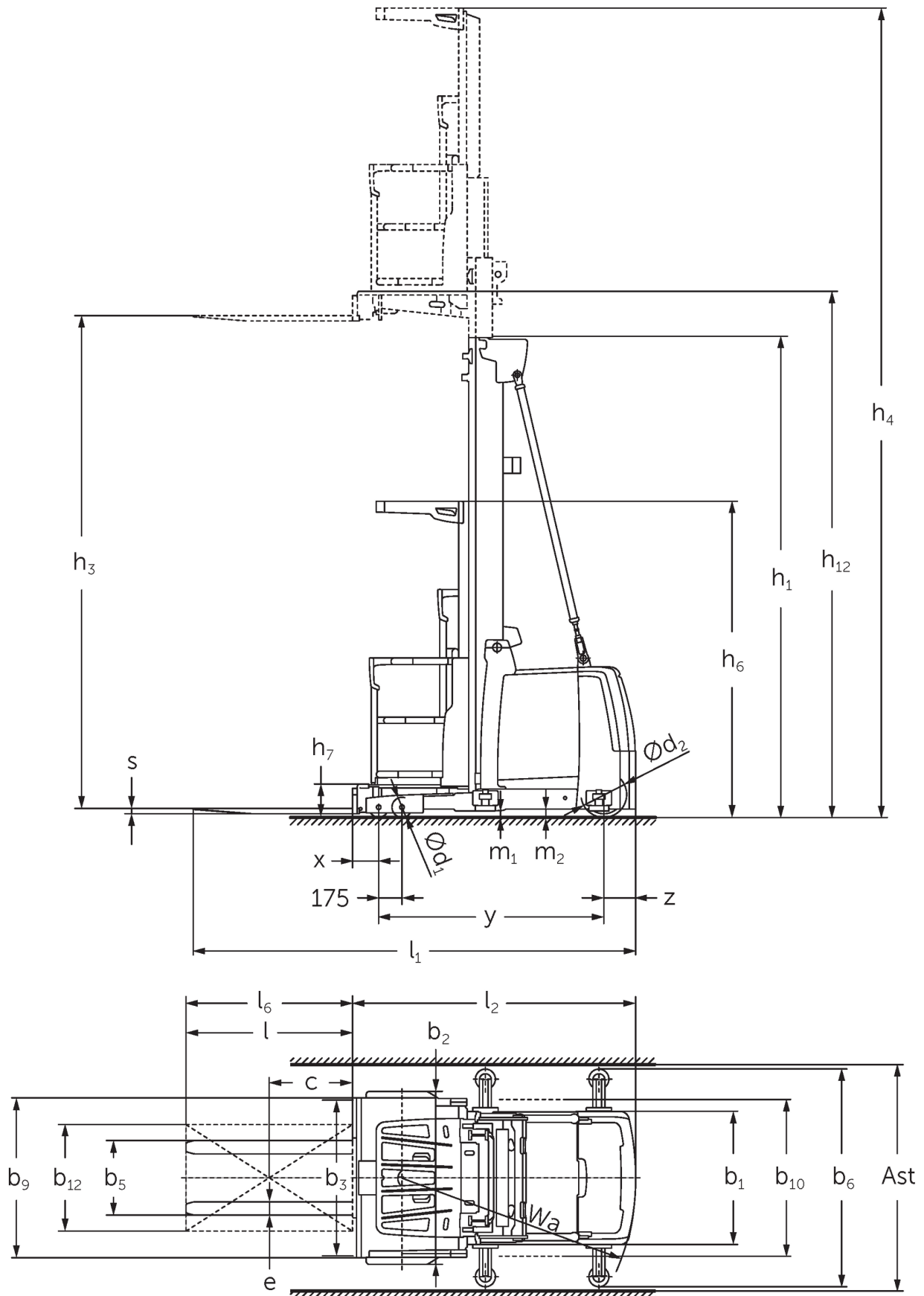
Medium/high level order picker **EKS 310 / 412**

Lift height: 7000-9000 mm / Load capacity: 1200 kg

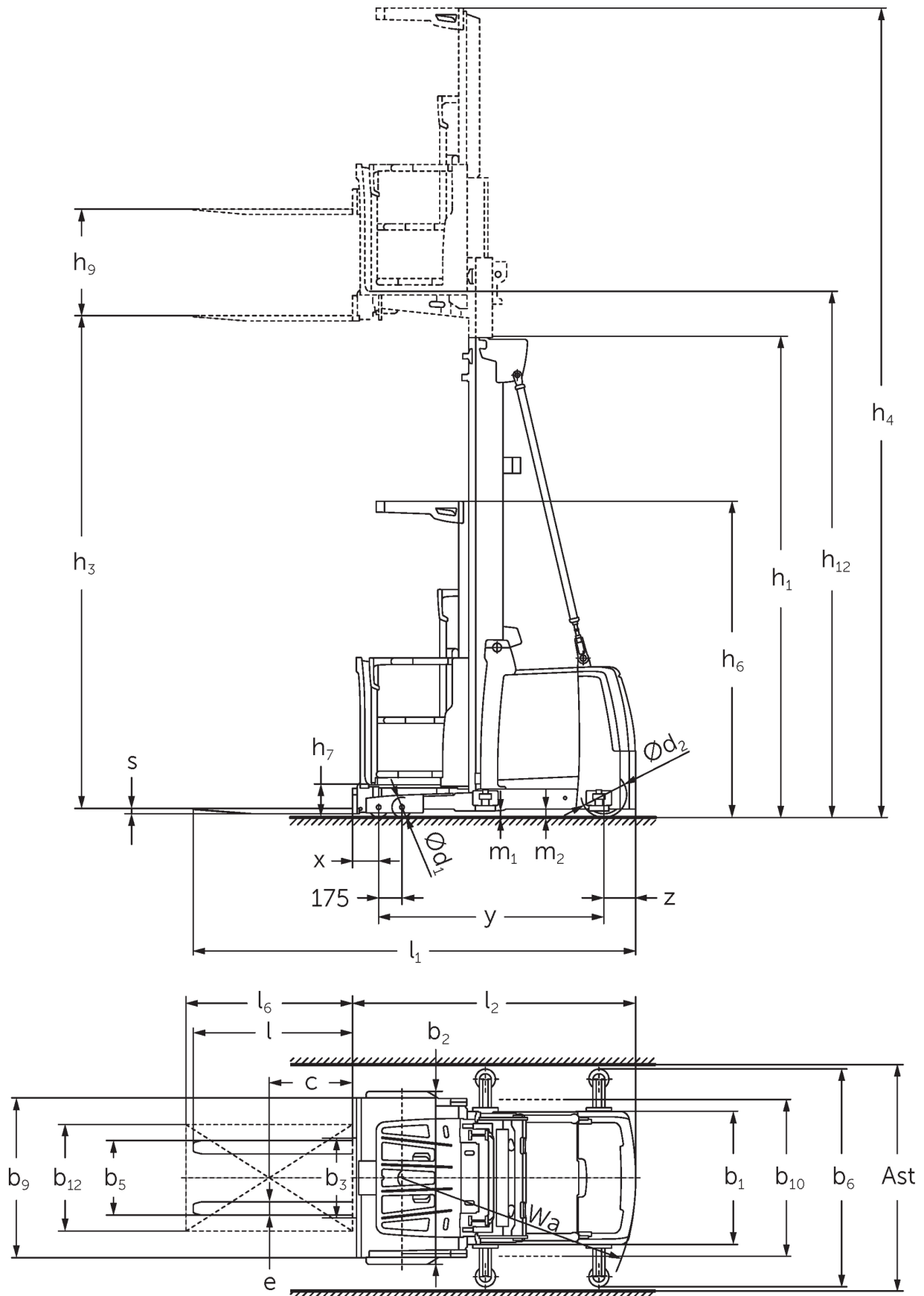
EKS 310 / 412



EKS 310 / 412



EKS 310 / 412



EKS 310 / 412

| EKS 310 Z, EKS 310 L, EKS 310 O | Lift (h3) | Retracted mast height (h1) | Free lift (h2) | Extended mast height (h4) |
|--|-----------|----------------------------|----------------|---------------------------|
| Duplex mast ZT | 2800 mm | 2325 mm | | 5170 mm |
| | 3500 mm | 2550 mm | | 5870 mm |
| Triplex mast DT | 4750 mm | 2370 mm | | 7120 mm |
| Triplex mast DZ | 4750 mm | 2370 mm | | 7120 mm |
| EKS 310 Z, EKS 310 L, EKS 310 O, EKS 412 Z, EKS 412 L, EKS 412 O | Lift (h3) | Retracted mast height (h1) | Free lift (h2) | Extended mast height (h4) |
| Duplex mast ZT | 4250 mm | 2950 mm | | 6620 mm |
| | 5000 mm | 3330 mm | | 7370 mm |
| | 5500 mm | 3600 mm | | 7870 mm |
| | 6000 mm | 3850 mm | | 8370 mm |
| Triplex mast DT | 5500 mm | 2610 mm | | 7870 mm |
| | 6000 mm | 2780 mm | | 8370 mm |
| | 6500 mm | 2940 mm | | 8870 mm |
| | 7000 mm | 3110 mm | | 9370 mm |
| Triplex mast DZ | 5500 mm | 2610 mm | 240 mm | 7870 mm |
| | 6000 mm | 2780 mm | 410 mm | 8370 mm |
| | 6500 mm | 2940 mm | 570 mm | 8870 mm |
| | 7000 mm | 3110 mm | 740 mm | 9370 mm |
| EKS 412 Z, EKS 412 L, EKS 412 O | Lift (h3) | Retracted mast height (h1) | Free lift (h2) | Extended mast height (h4) |
| Duplex mast ZT | 6500 mm | 4125 mm | | 8870 mm |
| | 7500 mm | 4650 mm | | 9870 mm |
| | 8500 mm | 5150 mm | | 10870 mm |
| Triplex mast DT | 7500 mm | 3275 mm | | 9870 mm |
| | 8000 mm | 3440 mm | | 10370 mm |
| | 8500 mm | 3610 mm | | 10870 mm |
| | 9000 mm | 3810 mm | | 11370 mm |
| Triplex mast DZ | 7500 mm | 3275 mm | 905 mm | 9870 mm |
| | 8000 mm | 3440 mm | 1070 mm | 10370 mm |
| | 8500 mm | 3610 mm | 1240 mm | 10870 mm |
| | 9000 mm | 3810 mm | 1440 mm | 11370 mm |


VDI table

Stand-on: 04/2024

| | | Jungheinrich | | | | | | | | |
|------------------------------|----------------|---|--------------------------------|-----------|-------------------------|-----------------|-----------------|-----------------|-----------------|-----------------|
| Characteristic | 1.1 | Manufacturer (abbreviated description) | | | | | | | | |
| | 1.2 | Manufacturer's type designation | EKS 310 Z | EKS 310 L | EKS 310 O | EKS 412 Z | EKS 412 L | EKS 412 O | | |
| | 1.3 | Drive | Electric | | | | | | | |
| | 1.4 | Operation | Order pickers | | | | | | | |
| | 1.5 | Load capacity/load | Q | kg | 1000 | | 1200 | | | |
| | 1.6 | Load centre distance | c | mm | 400 | | | | | |
| | 1.8 | Load distance, centre of drive axle to fork | x | mm | 155 | | | | | |
| | 1.9 | Wheelbase | y | mm | 1520 | | 1690 | | | |
| | Weights | 2.1.1 | Service weight (incl. battery) | | kg | 2550 | | 2500 | 3450 | |
| 2.2 | | Axle load laden front/rear | | kg | 2740 / 860 | 2770 / 830 | 2695 / 855 | 3425 / 1255 | 3455 / 1195 | 3380 / 1220 |
| 2.3 | | Axle load unladen front/rear | | kg | 1215 / 1335 | 1270 / 1330 | 1195 / 1355 | | 1655 / 1795 | 1580 / 1820 |
| Wheels/ suspension system | 3.1 | Tyres | Polyurethane (PU) | | | | | | | |
| | 3.2 | Tyre size, front | Ø 150 x 100 | | | | | | | |
| | 3.3 | Tyre size, rear | Ø 250 x 80 | | | Ø 343 x 114 | | | | |
| | 3.5 | Wheels, number front/back (x=driven) | 4 / 1 x | | | | | | | |
| Basic dimensions | 4.2 | Retracted mast height (h1) | h1 | mm | 2950 | | 3330 | | | |
| | 4.4 | Lift (h3) | h3 | mm | 4250 | | 5000 | | | |
| | 4.5 | Extended mast height (h4) | h4 | mm | 6620 | | 7370 | | | |
| | 4.7 | Height of overhead guard (cab) | h6 | mm | 2370 | | | | | |
| | 4.8.1 | Stand height | h7 | mm | 245 | | | | | |
| | 4.14 | Stand height, elevated | h12 | mm | 4495 | | 5245 | | | |
| | 4.15 | Height, lowered | h13 | mm | 60 | | | | | |
| | 4.19 | total length | l1 | mm | 3095 | 3140 | 3085 | 3285 | 3330 | 3275 |
| | 4.20 | Length including fork shank | l2 | mm | 1895 | 1885 | | 2085 | 2075 | |
| | 4.21.1 | total width | b1 | mm | 900 | | | 1000 | | |
| | 4.22 | Fork dimensions | s/ e/l | mm | 40 x 100 x 1200 | 50 x 100 x 1250 | 50 x 100 x 1200 | 40 x 100 x 1200 | 50 x 100 x 1250 | 50 x 100 x 1200 |
| | 4.25 | Width across forks | b5 | mm | 560 | | | | | |
| | 4.31 | Ground clearance laden under mast | m1 | mm | 50 | | | | | |
| 4.35 | Turning radius | Wa | mm | 1643 | | 1845 | | | | |
| Performance data | 5.1 | Travel speed laden/unladen | | km/h | 10 / 10 | | | | | |
| | 5.2 | Lift speed laden/unladen | | m/s | 0.25 / 0.3 | | | | | |
| | 5.3 | Lowering speed laden/unladen | | m/s | 0.3 / 0.25 | | | | | |
| | 5.10 | Service brake | | | regenerative | | | | | |
| | 5.11 | Parking brake | | | Electric sprung-loaded | | | | | |
| E-motor/ Electronics | 6.1 | Drive motor, performance S2 60 min | | kW | 3 | | 6 | | | |
| | 6.2 | Lift motor, performance with S3 | | kW | 8 | | | | | |
| | 6.3 | Battery according to DIN 43531/35/36 | | | 6 PzS 930 | | | 8 PzS 1240 | | |
| | 6.4 | Battery voltage/nominal capacity | | V / Ah | 24 / 930 | | | 24 / 1240 | | |
| | 6.5 | Battery weight | | kg | 700 | | | 910 | | |
| Other | 8.1 | Type of drive control | | | AC drive control system | | | | | |
| | 10.5 | Steering version | | | electric | | | | | |
| | 10.7 | Sound level as per EN12053, operator's ear | | dB (A) | 60 | | | 65 | | |

- This data sheet according to VDI guideline 2198 only states the technical values of the standard truck. Different tyres, other masts, additional equipment etc. may result in different values.

The German production facilities in
Norderstedt, Moosburg and Landsberg
are certified as well as our Genuine Parts
Center in Kaltenkirchen. ISO 9001
ISO 14001

Jungheinrich fork lift trucks meet
European safety requirements. 

 **JUNGHEINRICH**