

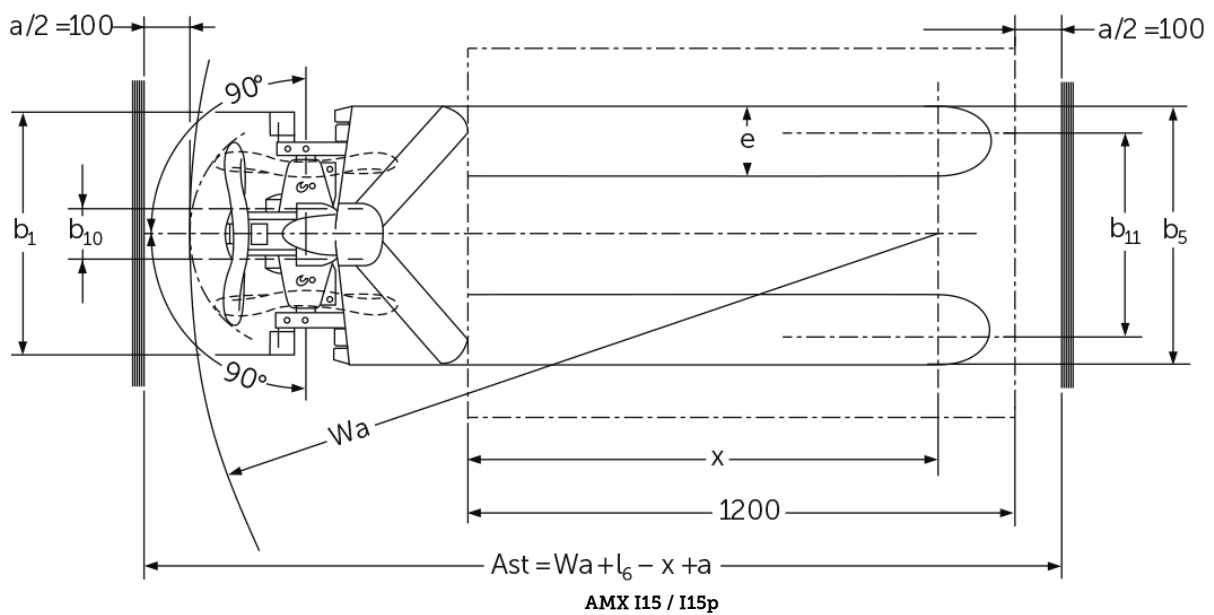
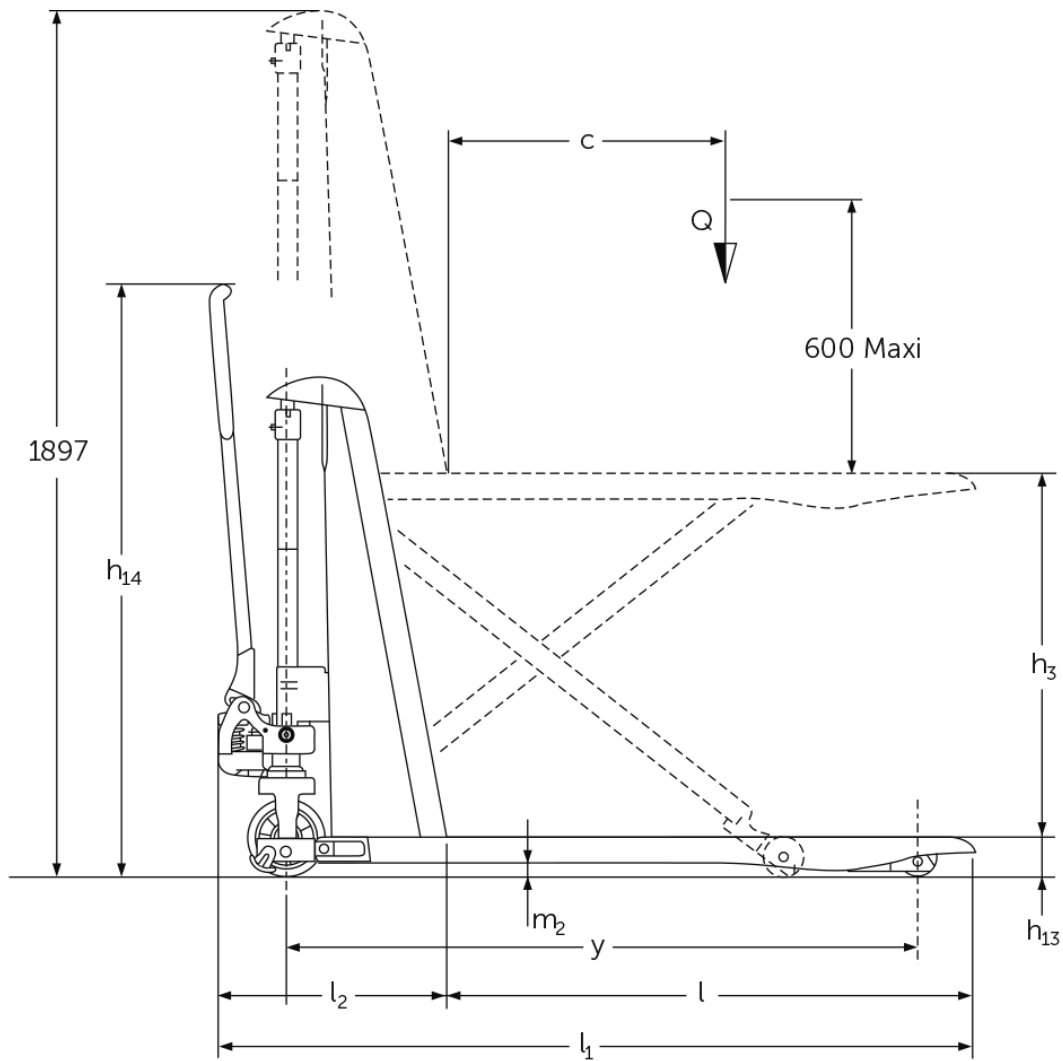


## Scissor lift hand pallet truck **AMX 10 / 10e**

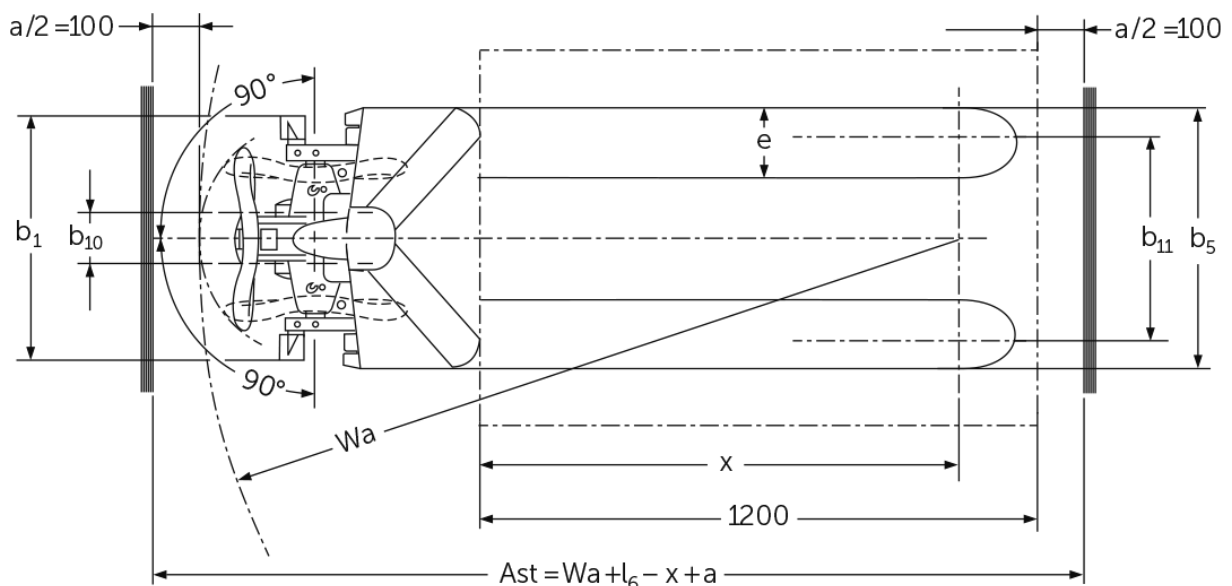
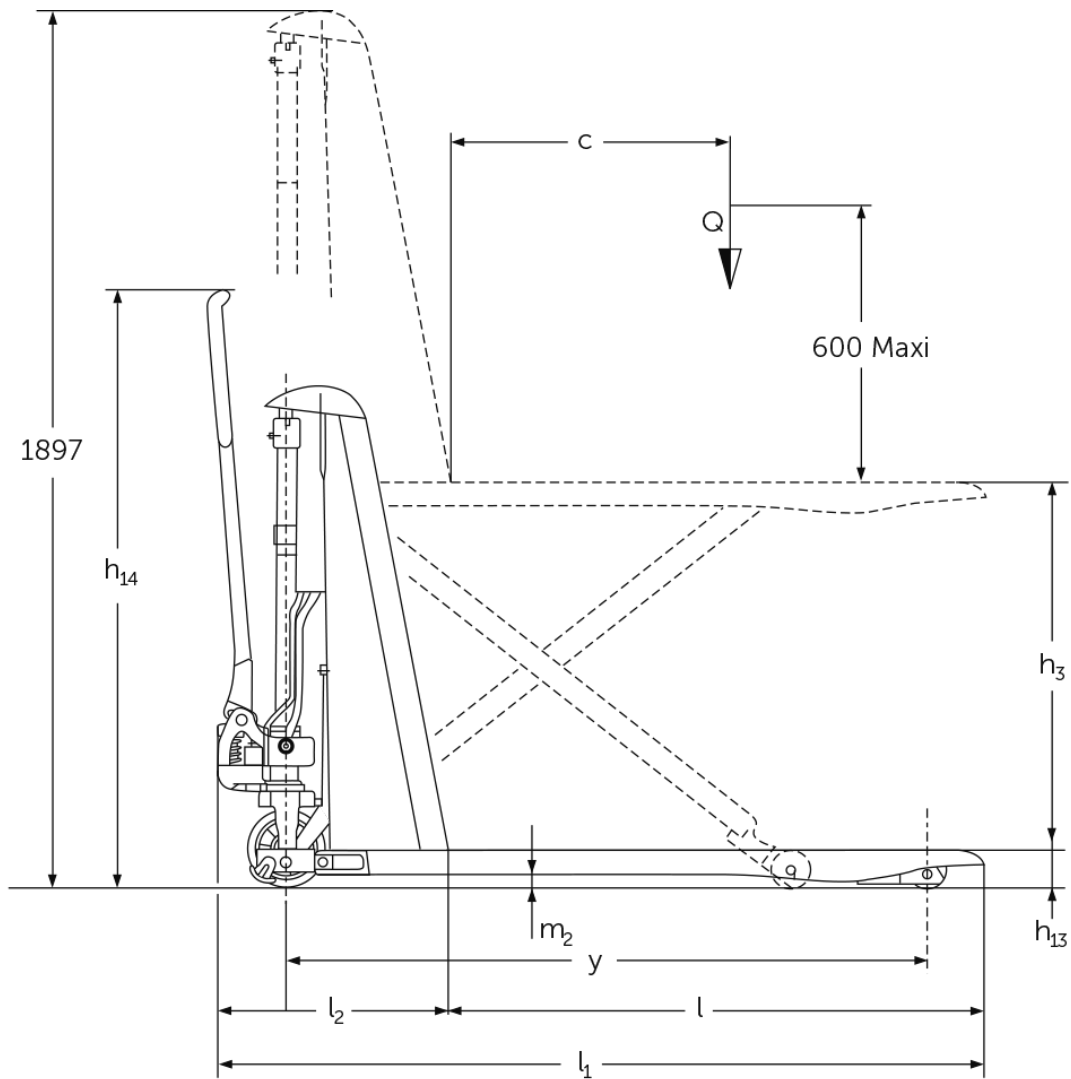
Lift height: 714 mm / Load capacity: 1000 kg

**JUNGHEINRICH**

# AMX 10 / 10e



# AMX 10 / 10e



AMX I15e / I15ep


# VDI table

Stand-on: 04/2024

Characteristic	1.1	Manufacturer (abbreviated description)		Jungheinrich											
	1.2	Manufacturer's type designation		AMX 10e					AMX 10						
	1.3	Drive		Electric	Manual										
	1.4	Operation		Manual											
	1.5	Load capacity/load	Q kg	1000											
	1.6	Load centre distance	c mm	600											
	1.9	Wheelbase	y mm	1383	-					1383	-				
Weights	2.1	tare weight	kg	195					157						
	2.2	Axle load laden front/rear	kg	443 / 752	- / -					406 / 751	- / -				
	2.3	Axle load unladen front/rear	kg	136 / 59	- / -					101 / 56	- / -				
Wheels/suspension system	3.1	Tyres		C-GN	N-GN	V-GV	N-GN	C-GN	V-GV	C-GN	N-GN	V-GV	N-GN	C-GN	V-GV
	3.2	Tyre size, front		Ø 170 x 50	-					Ø 170 x 50	-				
	3.3	Tyre size, rear		Ø 82 x 62	-					Ø 82 x 62	-				
	3.5	Wheels, number front/back (x=driven)		2/2	-					2/2	-				
	3.6	Tread width, front	b10 mm	109	-					109	-				
	3.7	Tread width, rear	b11 mm	440	-					440	-				
	Basic dimensions	4.4	Lift (h3)	h3 mm	714										
4.5		Extended mast height (h4)	h4 mm	1897	-					1897	-				
4.9		Height of tiller handle in drive position min./max.	h14 mm	1299	-					1299	-				
4.15		Height, lowered	h13 mm	86											
4.19		total length	l1 mm	1650											
4.20		Length including fork shank	l2 mm	500	-					500	-				
4.21.1		total width	b1 mm	560			680			560			680		
4.22		Fork dimensions	s/ e/l mm	53 x 150 x 1150	150 x 1150					53 x 150 x 1150	150 x 1150				
4.25		Width across forks	b5 mm	560			680			560			680		
4.32		Ground clearance centre of wheelbase	m2 mm	30	-					30	-				
4.34.2		Aisle width (pallet 800x1200 length)	Ast mm	2005	-					2005	-				
4.35	Turning radius	Wa mm	-					1635	-						
Performance data	5.3	Lowering speed laden/unladen	m/s	0.13 / 0.05	- / -					0.11 / 0.04	- / -				
E-motor/ Electronics	6.2	Lift motor, performance with S3	kW	0.5					-						
	6.4	Battery voltage/nominal capacity	V / Ah	12 / 70					-						
	6.5	Battery weight	kg	24	-										

- This data sheet according to VDI guideline 2198 only states the technical values of the standard truck. Different tyres, other masts, additional equipment etc. may result in different values.

The German production facilities in  
Norderstedt, Moosburg and Landsberg  
are certified as well as our Genuine Parts  
Center in Kaltenkirchen. ISO 9001  
ISO 14001

Jungheinrich fork lift trucks meet  
European safety requirements. 

 **JUNGHEINRICH**