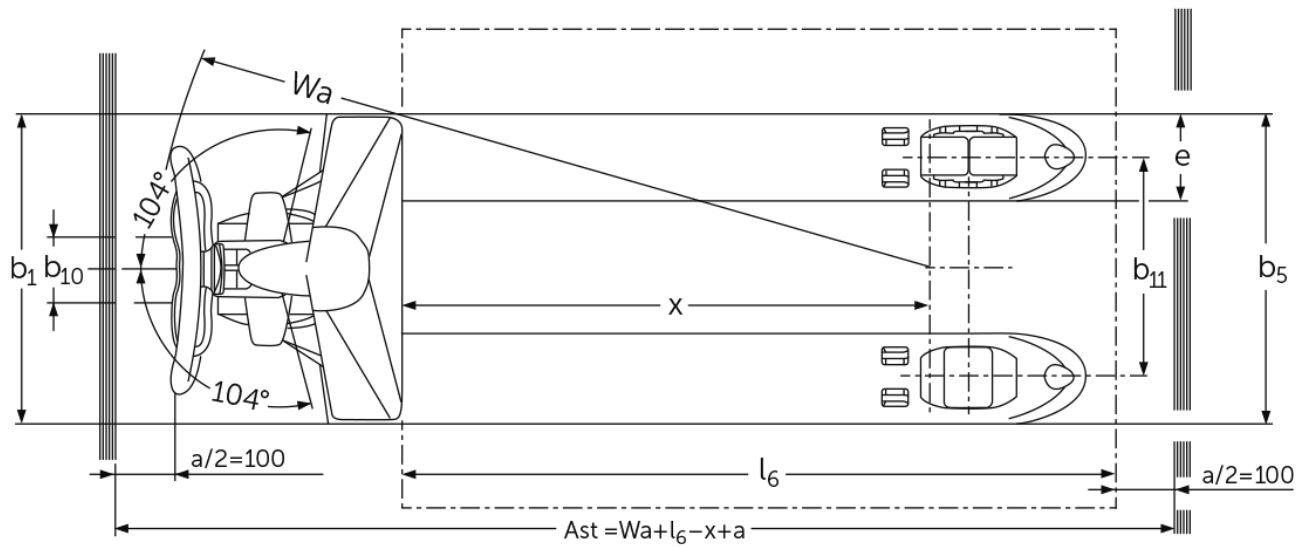




Hand pallet truck with flat forks **AM 15l**

Lift height: 120 mm / Load capacity: 1500 kg

AM 15l



VDI table

Stand-on: 04/2024

Characteristic	1.1	Manufacturer (abbreviated description)		Jungheinrich			
	1.2	Manufacturer's type designation		AM 15I			
	1.3	Drive		Manual			
	1.4	Operation		Manual			
	1.5	Load capacity/load	Q kg	1500			
	1.6	Load centre distance	c mm	600	500	400	600
	1.9	Wheelbase	y mm	1100	900	745	1080
Weights	2.1	tare weight	kg	74	72	71	65
	2.2	Axle load laden front/rear	-	- / -			476 / 613
	2.3	Axle load unladen front/rear	-	- / -	60 / 28	- / -	60 / 28
Wheels/suspension system	3.1	Tyres		C-BN			
	3.2	Tyre size, front		Ø 170x50			
	3.3	Tyre size, rear		Ø 50x70			
	3.5	Wheels, number front/back (x=driven)		2/4			
	3.6	Tread width, front	b10 mm	109			
	3.7	Tread width, rear	b11 mm	370			
	Basic dimensions	4.4	Lift (h3)	h3 mm	120		
4.9		Height of tiller handle in drive position min./max.	h14 mm	1237			
4.14		Stand height, elevated	h12 mm	171			
4.15		Height, lowered	h13 mm	51			
4.19		total length	l1 mm	1530	1330	1175	1530
4.20		Length including fork shank	l2 mm	380			
4.21.1		total width	b1 mm	520			680
4.22		Fork dimensions	s/ e/l mm	38 x 150 x 1150	38 x 150 x 950	38 x 150 x 795	38 x 150 x 1150
4.25		Width across forks	b5 mm	520			680
4.32		Ground clearance centre of wheelbase	m2 mm	13			
4.34.1		Aisle width (pallet 1000x1200 sideways)	Ast mm	1584			
4.34.2		Aisle width (pallet 800x1200 length)	Ast mm	1784			
4.35		Turning radius	Wa mm	1274			
Performance data	5.3	Lowering speed laden/unladen	m/s	0.09 / 0.02			
<p>- This data sheet according to VDI guideline 2198 only states the technical values of the standard truck. Different tyres, other masts, additional equipment etc. may result in different values.</p>							

The German production facilities in
Norderstedt, Moosburg and Landsberg
are certified as well as our Genuine Parts
Center in Kaltenkirchen. ISO 9001
ISO 14001

Jungheinrich fork lift trucks meet
European safety requirements. 

 **JUNGHEINRICH**