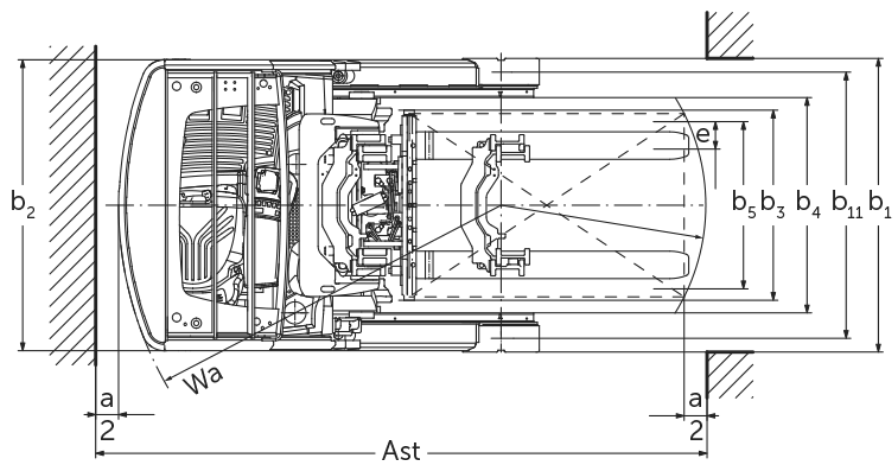
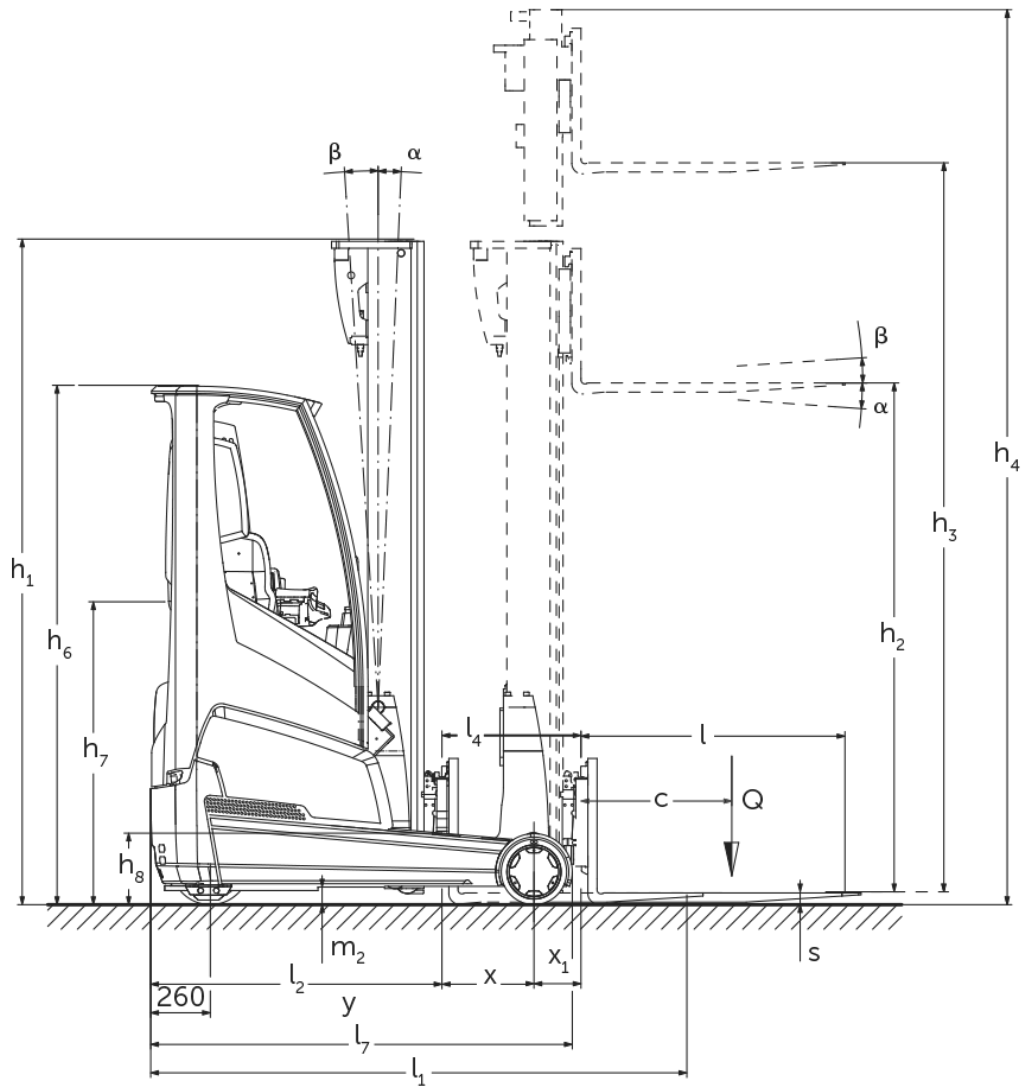




## **Electric reach truck** **ETV 216i**

Lift height: 4550-10700 mm / Load capacity: 1600 kg

# ETV 216i



# ETV 216i

ETV 216i	Lift (h3)	Retracted mast height (h1)	Free lift (h2)	Extended mast height (h4)	Forward/backward tilt of mast	Forward/backward tilt of fork carriage
Fork tilt / Triplex mast DZ / cold-formed	5000 mm	2200 mm	1546 mm	5654 mm		2 / 5 °
	5300 mm	2300 mm	1646 mm	5954 mm		2 / 5 °
	5600 mm	2400 mm	1746 mm	6254 mm		2 / 5 °
	5900 mm	2500 mm	1846 mm	6554 mm		2 / 5 °
	6500 mm	2700 mm	2046 mm	7154 mm		2 / 5 °
	6800 mm	2800 mm	2146 mm	7454 mm		2 / 5 °
	7100 mm	2900 mm	2246 mm	7754 mm		2 / 5 °
	7400 mm	3000 mm	2346 mm	8054 mm		2 / 5 °
	7700 mm	3100 mm	2446 mm	8354 mm		2 / 5 °
	8000 mm	3200 mm	2546 mm	8654 mm		2 / 5 °
	8300 mm	3300 mm	2646 mm	8954 mm		2 / 5 °
	8420 mm	3340 mm	2686 mm	9074 mm		2 / 5 °
	8720 mm	3440 mm	2786 mm	9374 mm		2 / 5 °
	9020 mm	3540 mm	2886 mm	9674 mm		2 / 5 °
	9410 mm	3670 mm	3016 mm	10064 mm		2 / 5 °
	9920 mm	3840 mm	3186 mm	10574 mm		2 / 5 °
	10250 mm	3950 mm	3296 mm	10904 mm		2 / 5 °
	10520 mm	4040 mm	3386 mm	11174 mm		2 / 5 °
10700 mm	4100 mm	3446 mm	11354 mm		2 / 5 °	
Mast tilt / Triplex mast DZ / cold-formed	6500 mm	2700 mm	2046 mm	7154 mm	0.5 / 2 °	
	6800 mm	2800 mm	2146 mm	7454 mm	0.5 / 2 °	
	7100 mm	2900 mm	2246 mm	7754 mm	0.5 / 2 °	
	7310 mm	2970 mm	2316 mm	7964 mm	0.5 / 1 °	
	7400 mm	3000 mm	2346 mm	8054 mm	0.5 / 1 °	
	7700 mm	3100 mm	2446 mm	8354 mm	0.5 / 1 °	
	8000 mm	3200 mm	2546 mm	8654 mm	0.5 / 1 °	
	8300 mm	3300 mm	2646 mm	8954 mm	0.5 / 1 °	
	8420 mm	3340 mm	2686 mm	9074 mm	0.5 / 1 °	
	8720 mm	3440 mm	2786 mm	9374 mm	0.5 / 1 °	
	9020 mm	3540 mm	2886 mm	9674 mm	0.5 / 1 °	

Mast tilt / Triplex mast DZ / hot-rolled	4550 mm	2050 mm	1396 mm	5204 mm	1 / 3 °
	5000 mm	2200 mm	1546 mm	5654 mm	1 / 3 °
	5240 mm	2280 mm	1626 mm	5894 mm	1 / 3 °
	5300 mm	2300 mm	1646 mm	5954 mm	1 / 3 °
	5450 mm	2350 mm	1696 mm	6104 mm	1 / 3 °
	5600 mm	2400 mm	1746 mm	6254 mm	1 / 3 °
	5720 mm	2440 mm	1786 mm	6374 mm	1 / 3 °
	5900 mm	2500 mm	1846 mm	6554 mm	1 / 3 °
	6200 mm	2600 mm	1946 mm	6854 mm	1 / 3 °
	6500 mm	2700 mm	2046 mm	7154 mm	0.5 / 2 °
	6800 mm	2800 mm	2146 mm	7454 mm	0.5 / 2 °
	7100 mm	2900 mm	2246 mm	7754 mm	0.5 / 2 °
	7310 mm	2970 mm	2316 mm	7964 mm	0.5 / 1 °
	7400 mm	3000 mm	2346 mm	8054 mm	0.5 / 1 °
Triplex mast DZ / cold-formed	6200 mm	2600 mm	1946 mm	6854 mm	2 / 5 °

# VDI table

Stand-on: 05/2024

Characteristic	1.1	Manufacturer (abbreviated description)		Jungheinrich
	1.2	Manufacturer's type designation		<b>ETV 216i</b>
	1.3	Drive		Electric
	1.4	Operation		Sideways-seated
	1.5	Load capacity/load	Q kg	1600
	1.6	Load centre distance	c mm	600
	1.8	Load distance, centre of drive axle to fork	x mm	401
	1.8.1	Load distance, centre of drive axle to fork, mast extended	mm	215
	1.9	Wheelbase	y mm	1410
Weights	2.1.1	Service weight (incl. battery)	kg	3438
	2.3	Axle load unladen front/rear	kg	2292 / 1146
	2.4	Axle load fork forward laden front/rear	kg	902 / 4132
	2.5	Axle load fork back laden front/rear	kg	2024 / 3014
Wheels/suspension system	3.1	Tyres		Polyurethane (PU)
	3.2	Tyre size, front		Ø 343 x 114
	3.3	Tyre size, rear		Ø 285 x 100
	3.5	Wheels, number front/back (x=driven)		1x / 2
	3.7	Tread width, rear	b11 mm	1168
Basic dimensions	4.1	Forward/backward tilt of mast	a/β °	1 / 3
	4.2	Retracted mast height (h1)	h1 mm	2300
	4.3	Free lift (h2)	h2 mm	1646
	4.4	Lift (h3)	h3 mm	5300
	4.5	Extended mast height (h4)	h4 mm	5954
	4.7	Height of overhead guard (cab)	h6 mm	2263
	4.8	Seat height/stand height	h7 mm	1079
	4.10	Height of support arms	h8 mm	309
	4.19	total length	l1 mm	2419
	4.20	Length including fork shank	l2 mm	1269
	4.21.1	total width	b1 mm	1282
	4.21.2	total width	b2 mm	1270
	4.22	Fork dimensions	s/e/l mm	40 x 120 x 1150
	4.23	Fork carriage connection class		2B
	4.24	Fork carriage width	b3 mm	830
	4.25	Width across forks	b5 mm	335
	4.25.1	Width across forks (min./max.)	b5 mm	335 / 705
	4.26	Width between support arms/loading areas	b4 mm	940
	4.28	Reach distance	mm	616
	4.32	Ground clearance centre of wheelbase	m2 mm	80
	4.34.1	Aisle width (pallet 1000x1200 sideways)	Ast mm	2713
4.34.2	Aisle width (pallet 800x1200 length)	Ast mm	2759	
4.35	Turning radius	Wa mm	1665	
4.37	Length over the support arms	L7 mm	1837	
Performance data	5.1	Travel speed laden/unladen (Efficiency   drivePLUS)	km/h	11 / 11   14 / 14
	5.2	Lift speed laden/unladen (Efficiency   liftPLUS)	m/s	0.35 / 0.7   0.59 / 0.81
	5.3	Lowering speed laden/unladen (Efficiency   liftPLUS)	m/s	0.56 / 0.56   0.56 / 0.56
	5.4	Reach speed laden/unladen (Efficiency   liftPLUS)	m/s	0.18 / 0.18   0.24 / 0.24
	5.7	Gradeability laden/unladen (Efficiency   drivePLUS)	%	8 / 12   8 / 12
	5.8	Max. gradeability laden/unladen (Efficiency   drivePLUS)	%	10 / 15   10 / 15

	5.9	Acceleration time laden/unladen (Efficiency   drivePLUS)	s	5.1 / 4.9   4.7 / 4.3
	5.10	Service brake		electric
E-motor/Electronics	6.1	Drive motor, performance S2 60 min (Efficiency   drivePLUS)	kW	6   8.5
	6.2	Lift motor, performance with S3 (Efficiency   liftPLUS)	kW	13.3   15.5
	6.4	Battery voltage/nominal capacity	V / Ah	51.2 / 390
	6.6	Energy consumption according to VDI cycle	kWh/h	3.3
	6.6.1	Energy consumption according to EN cycle (Efficiency   PLUS)	kWh/h	3.19   3.34
	6.6.2	CO2 equivalent as per EN 16796 (Efficiency   PLUS)	kg/h	1.7   1.8
	6.7	Throughput (Efficiency   PLUS)	t/h	59.68   71.2
	6.8.1	Energy consumption with max. throughput (Efficiency   PLUS)	kWh/h	3.09   4.18
Other	10.1	Operating pressure for attachment	bar	150
	10.2	Oil flow for attachments	l/min	20
	10.7	Sound level as per EN12053, operator's ear	dB (A)	70

- This data sheet according to VDI guideline 2198 only states the technical values of the standard truck. Different tyres, other masts, additional equipment etc. may result in different values.

- Efficiency: Values of standard package | PLUS: Values of performance package
- VDI no. 1.8: the mast type influences the load distance, centre of drive axle to fork x
  - VDI no. 2.1.1: battery size and mast version affect service weight and axle loads
  - VDI no. 2.3: battery size and mast version affect service weight and axle loads
  - VDI no. 2.4: battery size and mast version affect service weight and axle loads
  - VDI no. 2.5: battery size and mast version affect service weight and axle loads
  - VDI no. 4.1: the mast version determines the tilt values
  - VDI no. 4.19: the mast type and the fork length influence the overall length l1
  - VDI no. 4.20: the mast type influences the length including fork shank l2
  - VDI no. 4.28: the mast type influences the reach distance l4
  - VDI no. 4.34.1: the mast type influences the aisle widths
  - VDI no. 4.34.2: the mast type influences the aisle widths
  - VDI no. 6.6.1: PLUS refers to the drive&liftPLUS performance package
  - VDI no. 6.6.2: PLUS refers to the drive&liftPLUS performance package
  - VDI no. 6.7: PLUS refers to the drive&liftPLUS performance package
  - VDI no. 6.8.1: PLUS refers to the drive&liftPLUS performance package

The German production facilities in  
Norderstedt, Moosburg and Landsberg  
are certified as well as our Genuine Parts  
Center in Kaltenkirchen. ISO 9001  
ISO 14001

Jungheinrich fork lift trucks meet  
European safety requirements. 

**JUNGHEINRICH**