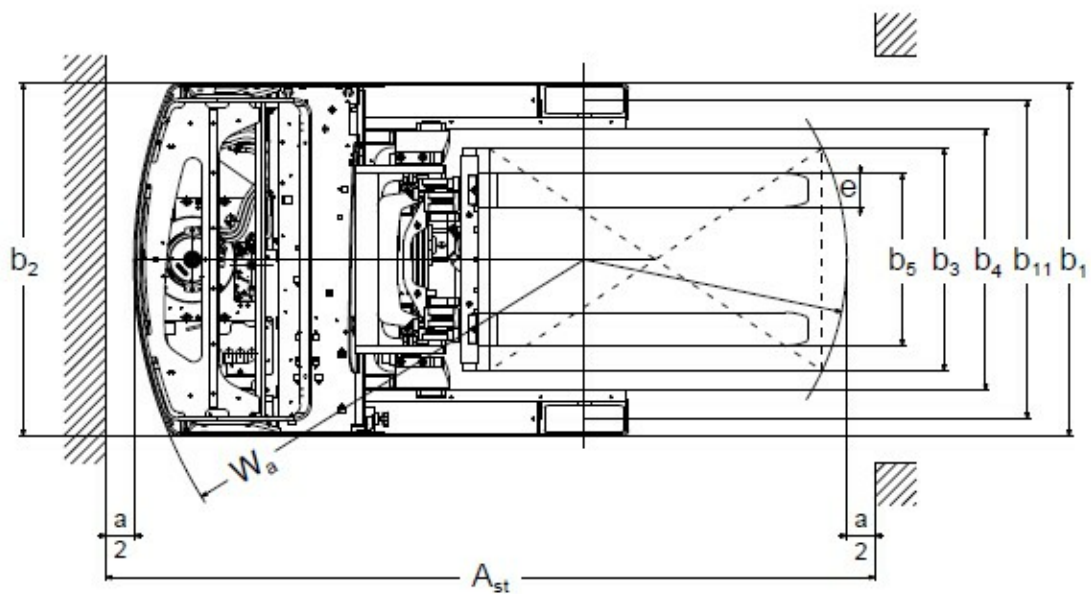
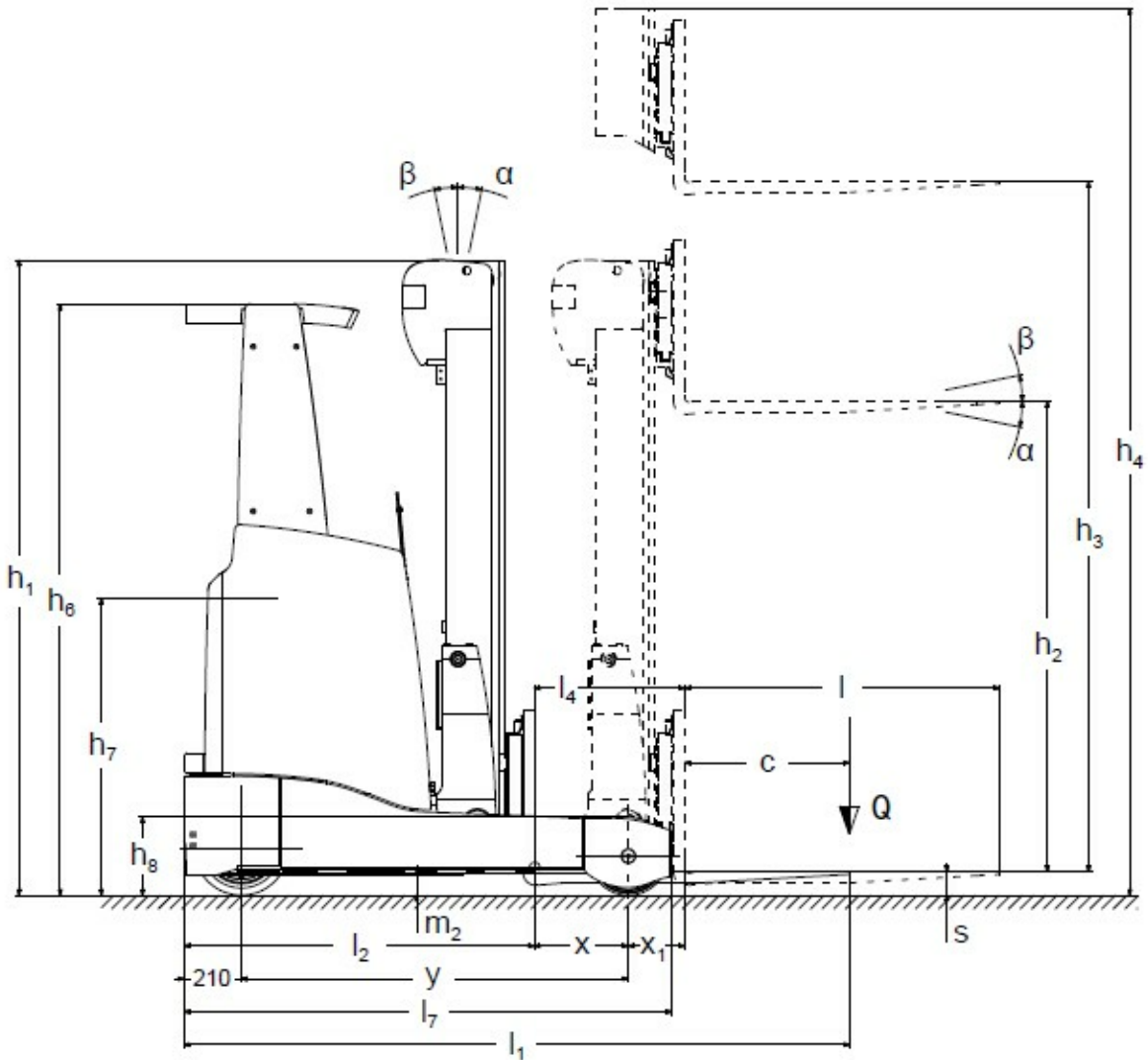




## **Electric reach truck** **ETV MC 320**

Lift height: 5000-11510 mm / Load capacity: 2000 kg

# ETV MC 320



# ETV MC 320

ETV MC 320	Lift (h3)	Retracted mast height (h1)	Free lift (h2)	Extended mast height (h4)	Forward/backward tilt of mast	Forward/backward tilt of fork carriage
Fork tilt / Triplex mast DZ / cold-formed	5000 mm	2300 mm	1560 mm	5740 mm		2 / 5 °
	5300 mm	2400 mm	1660 mm	6040 mm		2 / 5 °
	5900 mm	2600 mm	1860 mm	6640 mm		2 / 5 °
	6200 mm	2700 mm	1960 mm	6940 mm		2 / 5 °
	6500 mm	2800 mm	2060 mm	7240 mm		2 / 5 °
	6800 mm	2900 mm	2160 mm	7540 mm		2 / 5 °
	7100 mm	3000 mm	2260 mm	7840 mm		2 / 5 °
	7700 mm	3200 mm	2460 mm	8440 mm		2 / 5 °
	8420 mm	3440 mm	2700 mm	9160 mm		2 / 5 °
	9020 mm	3640 mm	2900 mm	9760 mm		2 / 5 °
	9110 mm	3670 mm	2930 mm	9850 mm		2 / 5 °
	9620 mm	3840 mm	3100 mm	10360 mm		2 / 5 °
	9950 mm	3950 mm	3210 mm	10690 mm		2 / 5 °
	10220 mm	4040 mm	3300 mm	10950 mm		2 / 5 °
	10520 mm	4140 mm	3400 mm	11260 mm		2 / 5 °
	10700 mm	4200 mm	3460 mm	11440 mm		2 / 5 °
	10880 mm	4260 mm	3520 mm	11620 mm		2 / 5 °
11120 mm	4340 mm	3600 mm	11860 mm		2 / 5 °	
11510 mm	4470 mm	3730 mm	12250 mm		2 / 5 °	
Mast tilt / Triplex mast DZ / cold-formed	5000 mm	2300 mm	1560 mm	5740 mm	1 / 5 °	
	5300 mm	2400 mm	1660 mm	6040 mm	1 / 5 °	
	5900 mm	2600 mm	1860 mm	6640 mm	1 / 3 °	
	6200 mm	2700 mm	1960 mm	6940 mm	1 / 3 °	
	6500 mm	2800 mm	2060 mm	7240 mm	0.5 / 2 °	
	6800 mm	2900 mm	2160 mm	7540 mm	0.5 / 2 °	
	7100 mm	3000 mm	2260 mm	7840 mm	0.5 / 2 °	
	7700 mm	3200 mm	2460 mm	8440 mm	0.5 / 1 °	
	8420 mm	3440 mm	2700 mm	9160 mm	0.5 / 1 °	

	9020 mm	3640 mm	2900 mm	9760 mm	0.5 / 1°
--	---------	---------	---------	---------	----------

# VDI table


Stand-on: 05/2024

Characteristic	1.1	Manufacturer (abbreviated description)		Jungheinrich
	1.2	Manufacturer's type designation		<b>ETV MC 320</b>
	1.3	Drive		Electric
	1.4	Operation		Sideways-seated
	1.5	Load capacity/load	Q kg	2000
	1.6	Load centre distance	c mm	600
	1.8	Load distance, centre of drive axle to fork	x mm	463
	1.8.1	Load distance, centre of drive axle to fork, mast extended	mm	205
	1.9	Wheelbase	y mm	1560
Weights	2.1.1	Service weight (incl. battery)	kg	3522
	2.3	Axle load unladen front/rear	kg	2204 / 1318
	2.4	Axle load fork forward laden front/rear	kg	610 / 4912
	2.5	Axle load fork back laden front/rear	kg	2015 / 3507
Wheels/suspension system	3.1	Tyres		Polyurethane (PU)
	3.2	Tyre size, front		Ø 343 x 114
	3.3	Tyre size, rear		Ø 285 x 100
	3.5	Wheels, number front/back (x=driven)		1x / 2
	3.7	Tread width, rear	b11 mm	1136
Basic dimensions	4.1	Forward/backward tilt of mast	a/β °	1 / 5
	4.2	Retracted mast height (h1)	h1 mm	2400
	4.3	Free lift (h2)	h2 mm	1800
	4.4	Lift (h3)	h3 mm	5300
	4.5	Extended mast height (h4)	h4 mm	6040
	4.7	Height of overhead guard (cab)	h6 mm	2154
	4.8	Seat height/stand height	h7 mm	1068
	4.10	Height of support arms	h8 mm	285
	4.19	total length	l1 mm	2457
	4.20	Length including fork shank	l2 mm	1307
	4.21.1	total width	b1 mm	1270
	4.21.2	total width	b2 mm	1270
	4.22	Fork dimensions	s/e/l mm	40 x 120 x 1150
	4.23	Fork carriage connection class		2B
	4.24	Fork carriage width	b3 mm	800
	4.25	Width across forks	b5 mm	335
	4.26	Width between support arms/loading areas	b4 mm	940
	4.28	Reach distance	mm	662
	4.32	Ground clearance centre of wheelbase	m2 mm	80
	4.34.1	Aisle width (pallet 1000x1200 sideways)	Ast mm	2776
	4.34.2	Aisle width (pallet 800x1200 length)	Ast mm	2809
4.35	Turning radius	Wa mm	1770	
4.37	Length over the support arms	L7 mm	1930	
Performance data	5.1	Travel speed laden/unladen (Efficiency   drivePLUS)	km/h	11 / 11   14 / 14
	5.2	Lift speed laden/unladen (Efficiency   liftPLUS)	m/s	0.3 / 0.6   0.42 / 0.64
	5.3	Lowering speed laden/unladen (Efficiency   liftPLUS)	m/s	0.55 / 0.5   0.55 / 0.5
	5.4	Reach speed laden/unladen (Efficiency   liftPLUS)	m/s	0.2 / 0.2   0.2 / 0.2
	5.7	Gradeability laden/unladen (Efficiency   drivePLUS)	%	7 / 11   7 / 11
	5.8	Max. gradeability laden/unladen (Efficiency   drivePLUS)	%	10 / 15   10 / 15
5.9	Acceleration time laden/unladen (Efficiency   drivePLUS)	s	5.6 / 5   4.8 / 4.6	

	5.10	Service brake		electric
E-motor/Electronics	6.1	Drive motor, performance S2 60 min (Efficiency   drivePLUS)	kW	6   8.5
	6.2	Lift motor, performance with S3 (Efficiency   liftPLUS)	kW	13.3   15.5
	6.3	Battery according to DIN 43531/35/36		DIN 43531 C
	6.4	Battery voltage/nominal capacity	V / Ah	48 / 620
	6.5	Battery weight	kg	939
	6.6.1	Energy consumption according to EN cycle (Efficiency   PLUS)	kWh/h	2.93   3.75
	6.6.2	CO2 equivalent as per EN 16796 (Efficiency   PLUS)	kg/h	1.6   2.1
	6.7	Throughput (Efficiency   PLUS)	t/h	78   80
	6.8.1	Energy consumption with max. throughput (Efficiency   PLUS)	kWh/h	3.09   4.14
Other	8.1	Type of drive control		Mosfet/AC
	10.1	Operating pressure for attachment	bar	230
	10.2	Oil flow for attachments	l/min	20
	10.7	Sound level as per EN12053, operator's ear	dB (A)	70

- This data sheet according to VDI guideline 2198 only states the technical values of the standard truck. Different tyres, other masts, additional equipment etc. may result in different values.

The German production facilities in  
Norderstedt, Moosburg and Landsberg  
are certified as well as our Genuine Parts  
Center in Kaltenkirchen. ISO 9001  
ISO 14001

Jungheinrich fork lift trucks meet  
European safety requirements. 

**JUNGHEINRICH**