

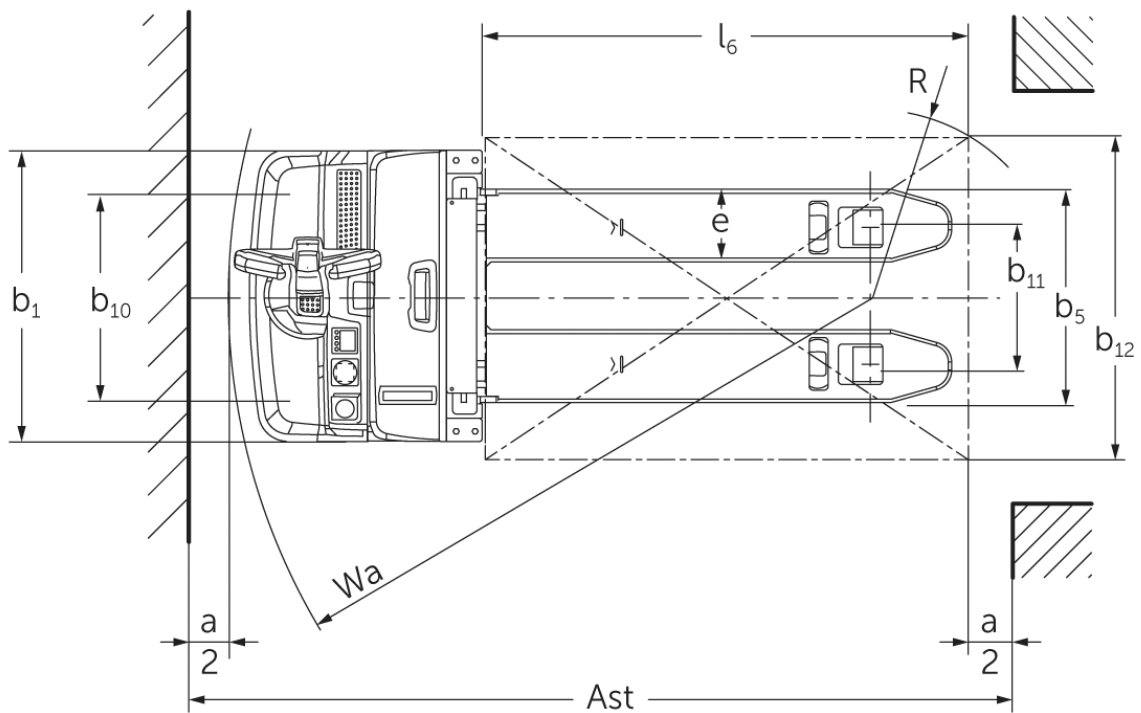
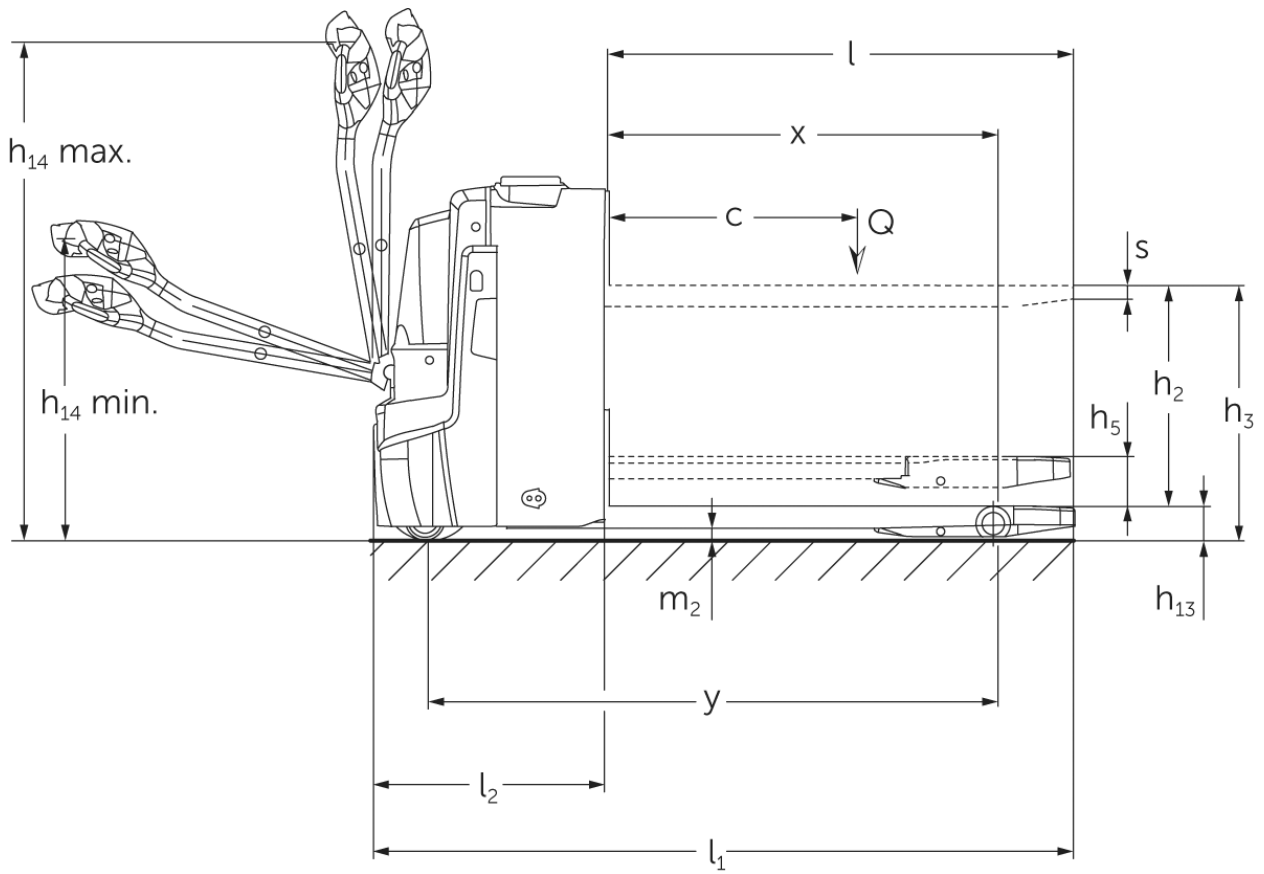


# Electric pedestrian pallet truck with ergonomic lift

## EJE C20

Lift height: 540 mm / Load capacity: 2000 kg

# EJE C20



# VDI table

Stand-on: 05/2024

|                          |                |   |       |        |                   |
|--------------------------|----------------|---|-------|--------|-------------------|
| Characteristic           | 1.1            | Manufacturer (abbreviated description)              |       |        | Jungheinrich      |
|                          | 1.2            | Manufacturer's type designation                     |       |        | <b>EJE C20</b>    |
|                          | 1.3            | Drive   |       |        | Electric          |
|                          | 1.4            | Operation   |       |        | Pedestrian        |
|                          | 1.5            | Load capacity/load                                  | Q     | kg     | 2000              |
|                          | 1.5.1          | Rated capacity/load with mast lift                  | Q     | kg     | 700               |
|                          | 1.5.2          | Rated capacity/load with support arm lift           | Q     | kg     | 2000              |
|                          | 1.6            | Load centre distance                                | c     | mm     | 600               |
|                          | 1.8            | Load distance, centre of drive axle to fork         | x     | mm     | 893               |
| 1.9                      | Wheelbase      | y   | mm    | 1333   |                   |
| Weights                  | 2.1.1          | Service weight (incl. battery)                      |       | kg     | 523               |
|                          | 2.2            | Axle load laden front/rear                          |       | kg     | 800 / 1729        |
|                          | 2.3            | Axle load unladen front/rear                        |       | kg     | 390 / 133         |
| Wheels/suspension system | 3.1            | Tyres   |       |        | Polyurethane (PU) |
|                          | 3.2            | Tyre size, front                                    |       |        | Ø 230 x 70        |
|                          | 3.3            | Tyre size, rear                                     |       |        | Ø 85 x 95         |
|                          | 3.4            | Additional wheels                                   |       |        | Ø 100 x 40        |
|                          | 3.5            | Wheels, number front/back (x=driven)                |       |        | 1x +2/2 oder 4    |
|                          | 3.6            | Tread width, front                                  | b10   | mm     | 510               |
|                          | 3.7            | Tread width, rear                                   | b11   | mm     | 338               |
| Basic dimensions         | 4.3            | Free lift (h2)                                      | h2    | mm     | 540               |
|                          | 4.4            | Lift (h3)   | h3    | mm     | 752               |
|                          | 4.6            | Initial lift  | h5    | mm     | 122               |
|                          | 4.9            | Height of tiller handle in drive position min./max. | h14   | mm     | 750 / 1237        |
|                          | 4.15           | Height, lowered                                     | h13   | mm     | 90                |
|                          | 4.19           | total length  | l1    | mm     | 1734              |
|                          | 4.20           | Length including fork shank                         | l2    | mm     | 584               |
|                          | 4.21.1         | total width   | b1    | mm     | 720               |
|                          | 4.22           | Fork dimensions                                     | s/e/l | mm     | 60 x 180 x 1150   |
|                          | 4.25           | Width across forks                                  | b5    | mm     | 530               |
|                          | 4.32           | Ground clearance centre of wheelbase                | m2    | mm     | 30                |
|                          | 4.34.1         | Aisle width (pallet 1000x1200 sideways)             | Ast   | mm     | 2322              |
|                          | 4.34.2         | Aisle width (pallet 800x1200 length)                | Ast   | mm     | 2217              |
| 4.35                     | Turning radius | Wa  | mm    | 1513   |                   |
| Performance data         | 5.1            | Travel speed laden/unladen                          |       | km/h   | 6 / 6             |
|                          | 5.2            | Lift speed laden/unladen                            |       | m/s    | 0.14 / 0.2        |
|                          | 5.3            | Lowering speed laden/unladen                        |       | m/s    | 0.14 / 0.2        |
|                          | 5.8            | Max. gradeability laden/unladen                     |       | %      | 8 / 20            |
|                          | 5.10           | Service brake                                       |       |        | generative        |
| E-motor/Electronics      | 6.1            | Drive motor, performance S2 60 min                  |       | kW     | 1.1               |
|                          | 6.2            | Lift motor, performance with S3                     |       | kW     | 1.2               |
|                          | 6.4            | Battery voltage/nominal capacity                    |       | V / Ah | 24 / 150          |
|                          | 6.5            | Battery weight                                      |       | kg     | 151               |
|                          | 6.6.1          | Energy consumption according to EN cycle            |       | kWh/h  | 0.31              |
|                          | 6.6.2          | CO2 equivalent as per EN 16796                      |       | kg/h   | 0.2               |
|                          | 6.7            | Throughput  |       | t/h    | 100               |
|                          | 6.8.1          | Energy consumption with max. throughput             |       | kWh/h  | 0.63              |

|  |      |  |        |    |
|--|------|--|--------|----|
| Other  | 8.1  | Type of drive control                      |        | AC |
|  | 10.7 | Sound level as per EN12053, operator's ear | dB (A) | 61 |
| <p>- This data sheet according to VDI guideline 2198 only states the technical values of the standard truck. Different tyres, other masts, additional equipment etc. may result in different values.</p> |      |  |        |    |

- VDI no. 4.34: lowered load section: + 24 mm
- VDI no. 4.33 lowered load section: + 49 mm
- VDI no. 1.8: 1.9: 4.35: lowered load section: + 56 mm
- VDI no. 1.9: 4.19: 4.20: 4.34: 4.34.1: 4.35: with lateral battery exchange: M LBE = S + 77 mm

The German production facilities in  
Norderstedt, Moosburg and Landsberg  
are certified as well as our Genuine Parts  
Center in Kaltenkirchen. ISO 9001  
ISO 14001

Jungheinrich fork lift trucks meet  
European safety requirements. 

**JUNGHEINRICH**