

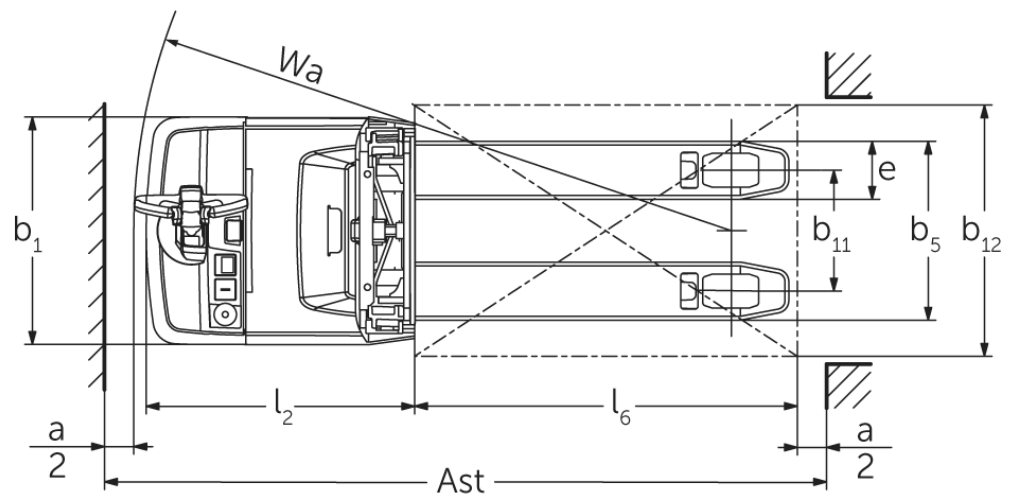
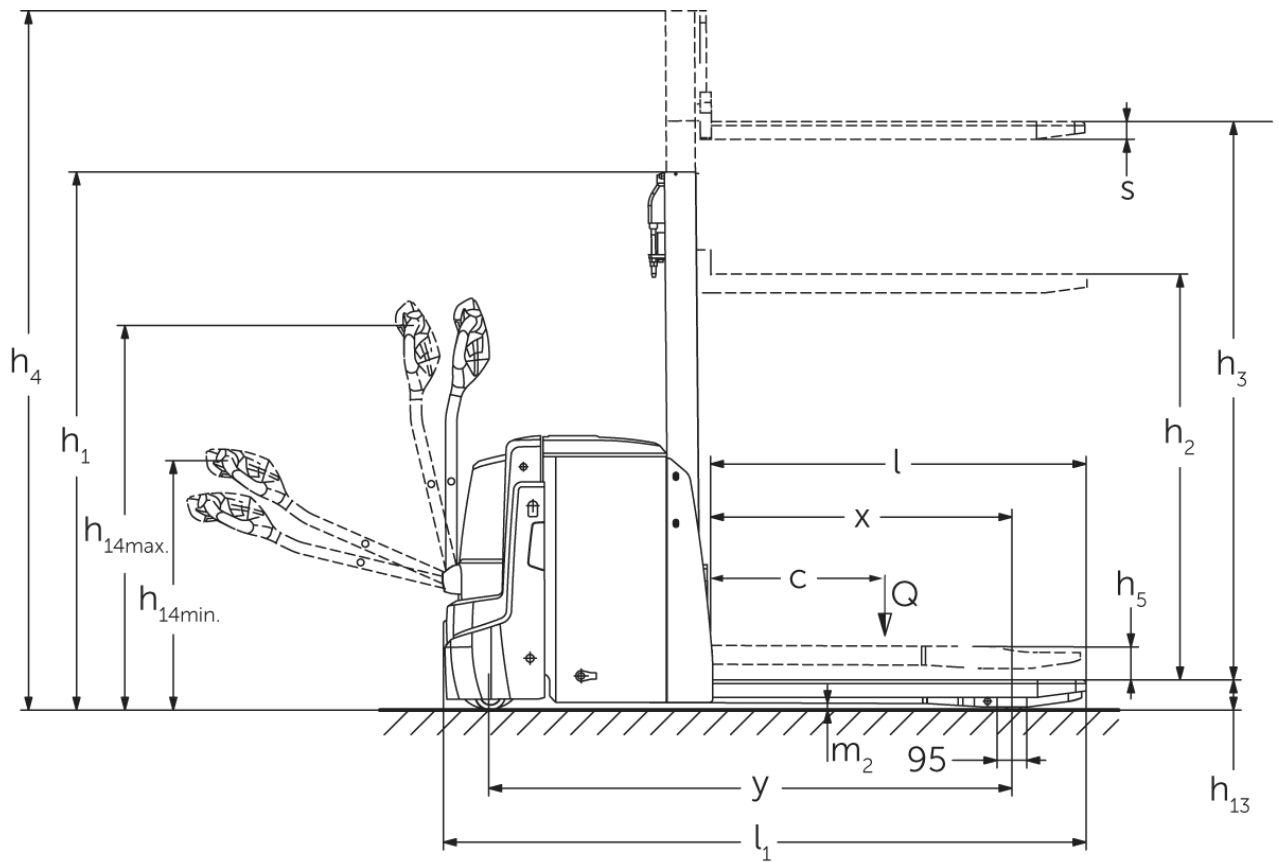


## **Electric pedestrian stacker with support arm lift**

### **EJD 120/222**

Lift height: 1500-2905 mm / Load capacity: 2000-2200 kg

# EJD 120/222



# EJD 120/222

<b>EJD 120, EJD 222</b>	<b>Lift (h3)</b>	<b>Retracted mast height (h1)</b>	<b>Free lift (h2)</b>	<b>Extended mast height (h4)</b>
Duplex mast ZT	<b>1660 mm</b>	<b>1306 mm</b>	<b>100 mm</b>	<b>2115 mm</b>
	2010 mm	1481 mm	100 mm	2465 mm
	2100 mm	1526 mm	100 mm	2555 mm
Single mast E	<b>1500 mm</b>	<b>1921 mm</b>	<b>1468 mm</b>	<b>1953 mm</b>
	1660 mm	2081 mm	1628 mm	2113 mm
	2100 mm	2521 mm	2068 mm	2553 mm
<b>EJD 222</b>	<b>Lift (h3)</b>	<b>Retracted mast height (h1)</b>	<b>Free lift (h2)</b>	<b>Extended mast height (h4)</b>
Duplex mast ZT	<b>2560 mm</b>	<b>1756 mm</b>	<b>100 mm</b>	<b>3015 mm</b>
	2900 mm	1926 mm	100 mm	3355 mm
Triplex mast DT	<b>2050 mm</b>	<b>1213 mm</b>	<b>100 mm</b>	<b>2513 mm</b>
	2350 mm	1313 mm	100 mm	2813 mm
	2500 mm	1363 mm	100 mm	2963 mm
	2905 mm	1498 mm	100 mm	3368 mm

# VDI table

Stand-on: 05/2024

				Jungheinrich	
				EJD 120	EJD 222
Characteristic	1.1	Manufacturer (abbreviated description)			
	1.2	Manufacturer's type designation			
	1.3	Drive		Electric	
	1.4	Operation		Pedestrian	
	1.5	Load capacity/load	Q kg	2000	2200
	1.5.1	Rated capacity/load with mast lift	Q kg	1000	
	1.5.2	Rated capacity/load with support arm lift	Q kg	2000	2200
	1.6	Load centre distance	c mm	600	
	1.8	Load distance, centre of drive axle to fork	x mm	940	953
1.9	Wheelbase	y mm	1495	1664	
Weights	2.1	tare weight		662	725
	2.1.1	Service weight (incl. battery)		812	935
	2.2	Axle load laden front/rear		1081 / 1738	1116 / 2024
	2.3	Axle load unladen front/rear		585 / 227	664 / 271
Wheels/suspension system	3.1	Tyres		Polyurethane (PU)	
	3.2	Tyre size, front		Ø 230 x 65	
	3.3	Tyre size, rear		Ø 85 x 95 / Ø 85 x 75	
	3.4	Additional wheels		Ø 100 x 40	
	3.5	Wheels, number front/back (x=driven)		1x +2/2 oder 4	
	3.6	Tread width, front	b10 mm	520	522
	3.7	Tread width, rear	b11 mm	350	385
Basic dimensions	4.2	Retracted mast height (h1)		1265	1306
	4.3	Free lift (h2)		90	100
	4.4	Lift (h3)		1660	
	4.5	Extended mast height (h4)		2116	2115
	4.6	Initial lift		120	
	4.9	Height of tiller handle in drive position min./max.		820 / 1237	750 / 1237
	4.15	Height, lowered		93	90
	4.19	total length		1847	2046
	4.20	Length including fork shank		684	783
	4.21.1	total width		726	
	4.22	Fork dimensions	s/e/ l mm	56 x 185 x 1190	
	4.25	Width across forks		535	570
	4.32	Ground clearance centre of wheelbase		23	20
	4.34.1	Aisle width (pallet 1000x1200 sideways)		2469	2578
4.34.2	Aisle width (pallet 800x1200 length)		2343	2447	
4.35	Turning radius		1666	1776	
Performance data	5.1	Travel speed laden/unladen		6 / 6	
	5.2	Lift speed laden/unladen		0.14 / 0.25	
	5.3	Lowering speed laden/unladen		0.31 / 0.25	
	5.8	Max. gradeability laden/unladen		8 / 15	10 / 15
	5.10	Service brake		generative	
E-motor/Electronics	6.1	Drive motor, performance S2 60 min		1.1	1.7
	6.2	Lift motor, performance with S3		2.2	
	6.3	Battery according to DIN 43531/35/36		DIN 43535 B	
	6.4	Battery voltage/nominal capacity		24 / 150	24 / 250
	6.5	Battery weight		150	210
	6.6	Energy consumption according to VDI cycle		0	

	6.6.1	Energy consumption according to EN cycle	kWh/h	0.54	0.61
	6.6.2	CO2 equivalent as per EN 16796	kg/h	0.3	
	6.7	Throughput	t/h	41	37
	6.8	Turnover efficiency according to VDI 2198	t/kWh	49	39
	6.8.1	Energy consumption with max. throughput	kWh/h	0.84	-
Other	8.1	Type of drive control		AC	
	10.7	Sound level as per EN12053, operator's ear	dB (A)	67	
<p>- This data sheet according to VDI guideline 2198 only states the technical values of the standard truck. Different tyres, other masts, additional equipment etc. may result in different values.</p>					

#### EJD 120:

The values in the table apply for the S-VBE battery compartment, ZT1660 mast, raised support arm lift.


- VDI no. 1.5: rated capacity in double-decker mode: support arm lift: 1.0 t / mast lift: 1.0 t.
- VDI no. 1.8: with lowered support arms: x + 56 mm.
- VDI no. 1.9: with lowered support arms: y + 56 mm; with M-VBE battery compartment: y + 74 mm, M Li-ion y + 142 mm.
- VDI no. 4.19: with M-VBE battery compartment: l1 ≥ 74 mm, M Li-ion: l1 + 142 mm.
- VDI no. 4.20: with M-VBE battery compartment: l2 ≥ 74 mm, M Li-ion: l2 + 142 mm.
- VDI no. 4.34.1: with lowered support arms: aisle width + 54 mm; with M-VBE battery compartment: aisle width + 74 mm; M Li-ion: aisle width + 142 mm.
- VDI no. 4.34.2: with lowered support arms: aisle width + 29 mm; with M-VBE battery compartment: aisle width + 74 mm; M Li-ion: aisle width + 142 mm.
- VDI no. 4.35: with lowered support arms: Wa + 56 mm; with M-VBE battery compartment: Wa + 74 mm; M Li-ion: Wa + 142 mm.
- VDI no. 5.2: lift speed laden / unladen for support arm lift: 0.05 / 0.05 km/h.
- VDI no. 5.3: lowering speed laden / unladen for support arm lift: 0.03 / 0.05 km/h.
- VDI no. 6.2: specified value with S3 = 5% power-on time.

#### EJD 222:

The values in the table apply for the M-LBE battery compartment, ZT1660 mast, raised support arm lift.

- VDI no. 1.5: rated capacity in double-decker mode: support arm lift: 1.0 t / mast lift: 1.0 t.
- VDI no. 1.8: with lowered support arms: x + 56 mm.
- VDI no. 1.9: with lowered support arms: y + 56 mm; with M-VBE battery compartment: y + 72 mm; with L-VBE battery compartment: y + 117 mm.
- VDI no. 4.19: with M-VBE battery compartment: l1 + 72 mm; with L-VBE battery compartment: l1 + 117 mm.
- VDI no. 4.20: with M-VBE battery compartment: l2 + 72 mm; with L-VBE battery compartment: l2 + 117 mm.
- VDI no. 4.34.1: with lowered support arms: aisle width + 54 mm; with M-VBE battery compartment: aisle width + 72 mm; with L-VBE battery compartment: aisle width + 117 mm.
- VDI no. 4.34.2: with lowered support arms: aisle width + 29 mm; with M-VBE battery compartment: aisle width + 72 mm; with L-VBE battery compartment: aisle width + 117 mm.
- VDI no. 4.35: with lowered support arms: Wa + 56 mm; with M-VBE battery compartment: Wa + 72 mm; with L-VBE battery compartment: Wa + 117 mm.
- VDI no. 5.2: lift speed laden / unladen for support arm lift: 0.05 / 0.05 km/h
- VDI no. 5.3: lowering speed laden / unladen for support arm lift: 0.025 / 0.05 km/h
- VDI no. 6.2: specified value with S3 = 5% power-on time.

The German production facilities in  
Norderstedt, Moosburg and Landsberg  
are certified as well as our Genuine Parts  
Center in Kaltenkirchen. ISO 9001  
ISO 14001

Jungheinrich fork lift trucks meet  
European safety requirements. 

 **JUNGHEINRICH**