

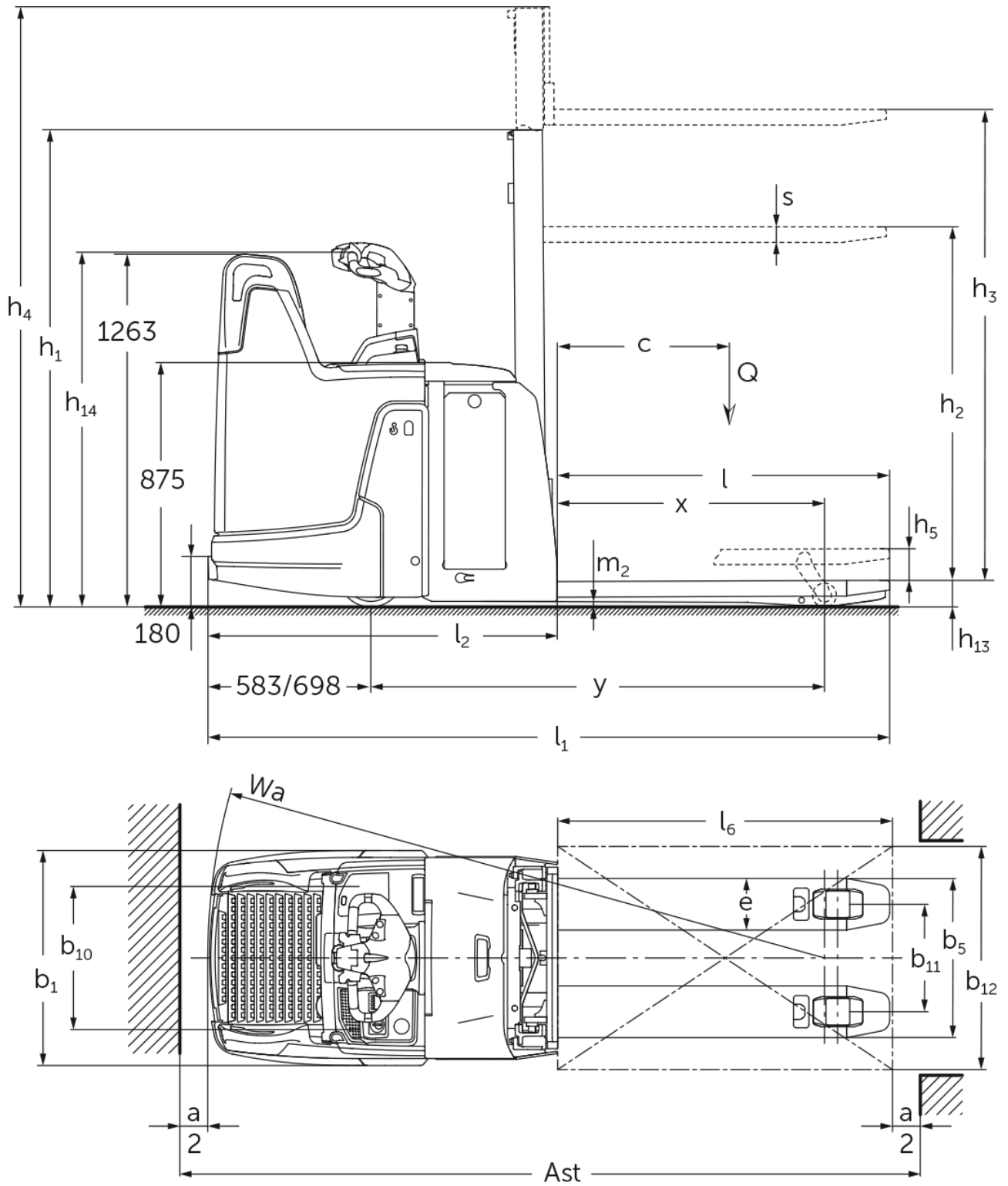


Electric pedestrian stacker with support arm lift

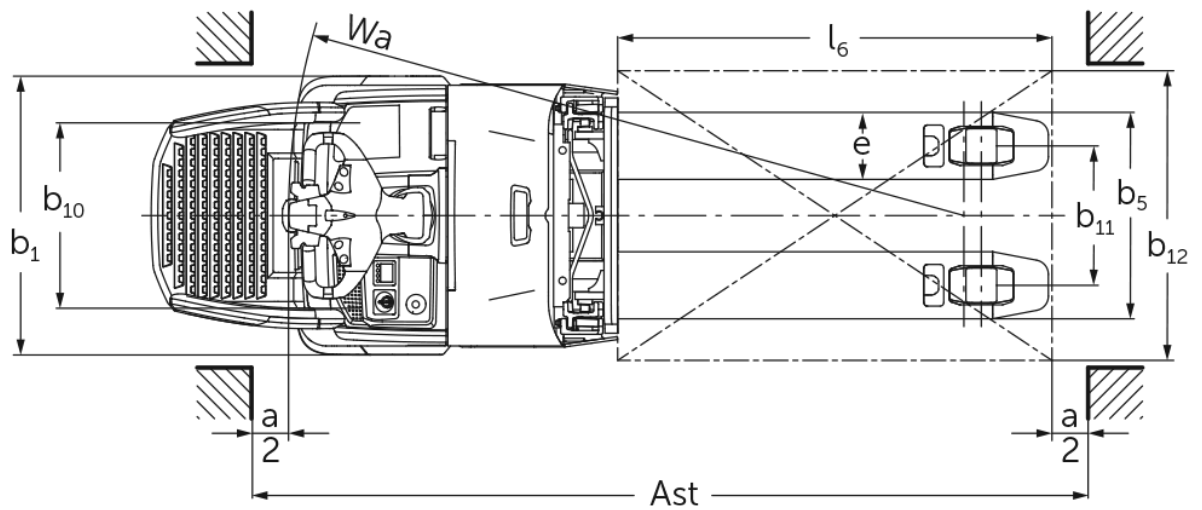
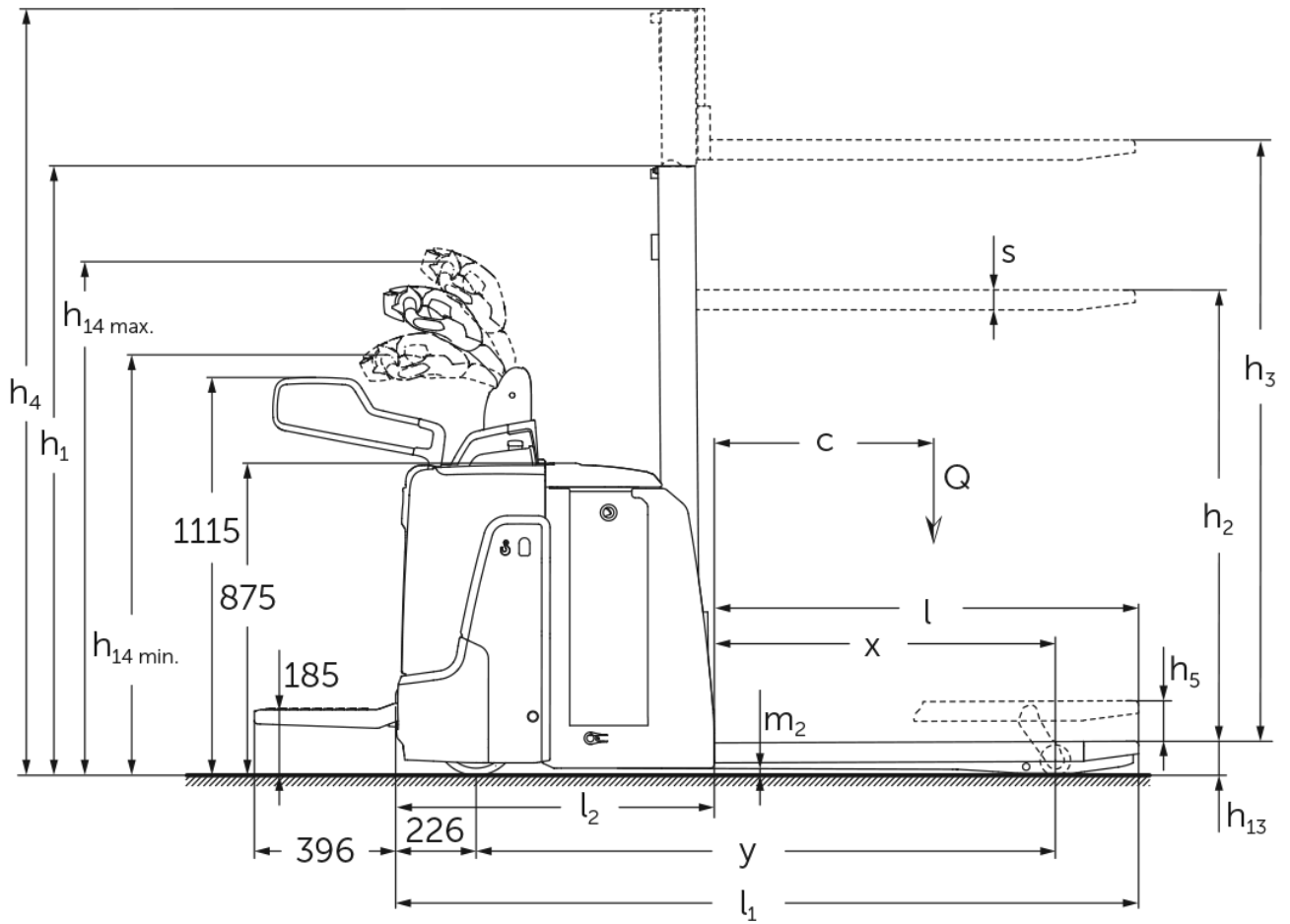
ERD 120 / 220

Lift height: 1500-2905 mm / Load capacity: 2000 kg

ERD 120 / 220



ERD 120 / 220



VDI table

Stand-on: 07/2024

			Jungheinrich		
			ERD 120	ERD 220	ERD 220 drivePLUS
Characteristic	1.1	Manufacturer (abbreviated description)			
	1.2	Manufacturer's type designation			
	1.3	Drive		Electric	
	1.4	Operation		Stand-on/pedestrian	
	1.5	Load capacity/load	Q kg	2000	
	1.5.1	Rated capacity/load with mast lift	Q kg	1000	
	1.5.2	Rated capacity/load with support arm lift	Q kg	2000	
	1.6	Load centre distance	c mm	600	
	1.8	Load distance, centre of drive axle to fork	x mm	956	
1.9	Wheelbase	y mm	1624		
Weights	2.1.1	Service weight (incl. battery)	kg	1010	
	2.2	Axle load laden front/rear	kg	1830 / 1185	
	2.3	Axle load unladen front/rear	kg	260 / 750	
Wheels/suspension system	3.1	Tyres		Polyurethane (PU)	
	3.2	Tyre size, front		ø 230 x 65	ø 230 x 77
	3.3	Tyre size, rear		ø 85 x 95 / ø 85 x 75	
	3.4	Additional wheels		ø 140 x 50	
	3.5	Wheels, number front/back (x=driven)		1x + 2 / 2 oder 4	
	3.6	Tread width, front	b10 mm	512	
	3.7	Tread width, rear	b11 mm	385	
Basic dimensions	4.2	Retracted mast height (h1)	h1 mm	1306	
	4.3	Free lift (h2)	h2 mm	100	
	4.4	Lift (h3)	h3 mm	1660	
	4.5	Extended mast height (h4)	h4 mm	2115	
	4.6	Initial lift	h5 mm	110	
	4.9	Height of tiller handle in drive position min./max.	h14 mm	1230 / 1410	
	4.15	Height, lowered	h13 mm	90	
	4.19	total length	l1 mm	2084	
	4.20	Length including fork shank	l2 mm	894	
	4.21.1	total width	b1 mm	770	
	4.22	Fork dimensions	s/ e/l mm	56 x 185 x 1190	
	4.25	Width across forks	b5 mm	570	
	4.32	Ground clearance centre of wheelbase	m2 mm	19	
	4.34.1	Aisle width (pallet 1000x1200 sideways)	Ast mm	2300	
4.34.2	Aisle width (pallet 800x1200 length)	Ast mm	2310		
4.35	Turning radius	Wa mm	1866		
Performance data	5.1	Travel speed laden/unladen	km/h	8.2 / 9	9.5 / 12.5 / 9.5 / 14
	5.2	Lift speed laden/unladen	m/s	0.17 / 0.32	
	5.3	Lowering speed laden/unladen	m/s	0.45 / 0.35	
	5.7	Gradeability laden/unladen	%	8 / 16	10 / 20
	5.10	Service brake		generative	
E-motor/Electronics	6.1	Drive motor, performance S2 60 min	kW	2	2.8 / 3.2
	6.2	Lift motor, performance with S3	kW	2.2	
	6.3	Battery according to DIN 43531/35/36		DIN 43535 B	
	6.4	Battery voltage/nominal capacity	V / Ah	24 / 250	
	6.5	Battery weight	kg	235	
	6.6	Energy consumption according to VDI cycle	kWh/h	0	

	6.6.1	Energy consumption according to EN cycle	kWh/h	0.68	0.62	0.71
	6.6.2	CO2 equivalent as per EN 16796	kg/h	0.4	0.3	0.4
	6.7	Throughput	t/h	84	108	
	6.8.1	Energy consumption with max. throughput	kWh/h	0.83	1.44	1.48
Other	8.1	Type of drive control		AC		
	10.7	Sound level as per EN12053, operator's ear	dB (A)	71	68	67
- This data sheet according to VDI guideline 2198 only states the technical values of the standard truck. Different tyres, other masts, additional equipment etc. may result in different values.						

Efficiency: Values of standard package | PLUS: Values of performance package

The values in the table apply to the folding stand-on platform (folded up), M-LBE battery compartment, ZT1660 mast, proportional hydraulics, fork length 1,190 mm, raised support arm lift.

- VDI no. 1.5: in double-decker mode: mast lift max. 1 t / overall load max. 2 t.

- VDI no. 1.8: lowered support arm lift: x + 48 mm. With fork length 1,150 mm: x - 40 mm. With simplex mast: x - 1 mm; triplex telescopic mast: x - 10 mm; ZZ mast: x - 29 mm.

- VDI no. 1.9: lowered support arm lift: y + 48 mm. With fork length 1,150 mm: y - 40 mm. With M-VBE, L-LBE & L high-LBE battery compartment: y + 72 mm; L-VBE: y + 117 mm.

- VDI no. 4.9: with fixed stand-on platform: 1,256 mm (1,296 mm with L high-LBE battery compartment) or 1,204 / 1,284 mm with height-adjustable tiller.

- VDI no. 4.19: with M-VBE, L-LBE & L high-LBE battery compartment: l1 + 72 mm; L-VBE: l1 + 117 mm. With folding platform folded down: l1 + 396 mm; compact, fixed platform: l1 + 357 mm; extended, fixed platform: l1 + 472 mm; L platform: l1 + 477 mm. With simplex mast: l1 + 1 mm; triplex telescopic mast: l1 + 10 mm; ZZ mast: l1 + 29 mm.

- VDI no. 4.20: with M-VBE, L-LBE & L high-LBE battery compartment: l2 + 72 mm; L-VBE: l2 + 117 mm. With folding platform folded down: l2 + 396 mm; compact, fixed platform: l2 + 357 mm; extended, fixed platform: l2 + 472 mm; L platform: l2 + 477 mm. With simplex mast: l2 + 1 mm; triplex telescopic mast: l2 + 10 mm; ZZ mast: l2 + 29 mm.

- VDI no. 4.34.1: with fork length 1,150 mm: aisle width - 40 mm. With M-VBE, L-LBE & L high-LBE battery compartment: aisle width + 72 mm; L-VBE: aisle width + 117 mm. with folding platform folded down: aisle width + 396 mm; compact, fixed platform: aisle width + 357 mm; extended, fixed platform: aisle width + 472 mm; L platform: aisle width + 477 mm. With simplex mast: aisle width + 1 mm; triplex telescopic mast: aisle width + 10 mm; ZZ mast: aisle width + 29 mm.


- VDI no. 4.34.2: with fork length 1,150 mm: aisle width - 40 mm. With M-VBE, L-LBE & L high-LBE battery compartment: aisle width + 72 mm; L-VBE: aisle width + 117 mm. with folding platform folded down: aisle width + 396 mm; compact, fixed platform: aisle width + 357 mm; extended, fixed platform: aisle width + 472 mm; L platform: aisle width + 477 mm. With simplex mast: aisle width + 1 mm; triplex telescopic mast: aisle width + 10 mm; ZZ mast: aisle width + 29 mm.

- VDI no. 4.35: with fork length 1,150 mm: Wa - 40 mm. With M-VBE, L-LBE & L high-LBE battery compartment: Wa + 72 mm; L-VBE: Wa + 117 mm. with folding platform folded down: Wa + 396 mm; compact, fixed platform: Wa + 357 mm; extended, fixed platform: Wa + 472 mm; L platform: Wa + 477 mm.

- VDI no. 5.3: With black / white hydraulics: 0.26 / 0.27 m/s.

- VDI no. 6.2: With black / white hydraulics: 1.9 kW.

The German production facilities in
Norderstedt, Moosburg and Landsberg
are certified as well as our Genuine Parts
Center in Kaltenkirchen. ISO 9001
ISO 14001

Jungheinrich fork lift trucks meet
European safety requirements. 

**JUNGHEINRICH**