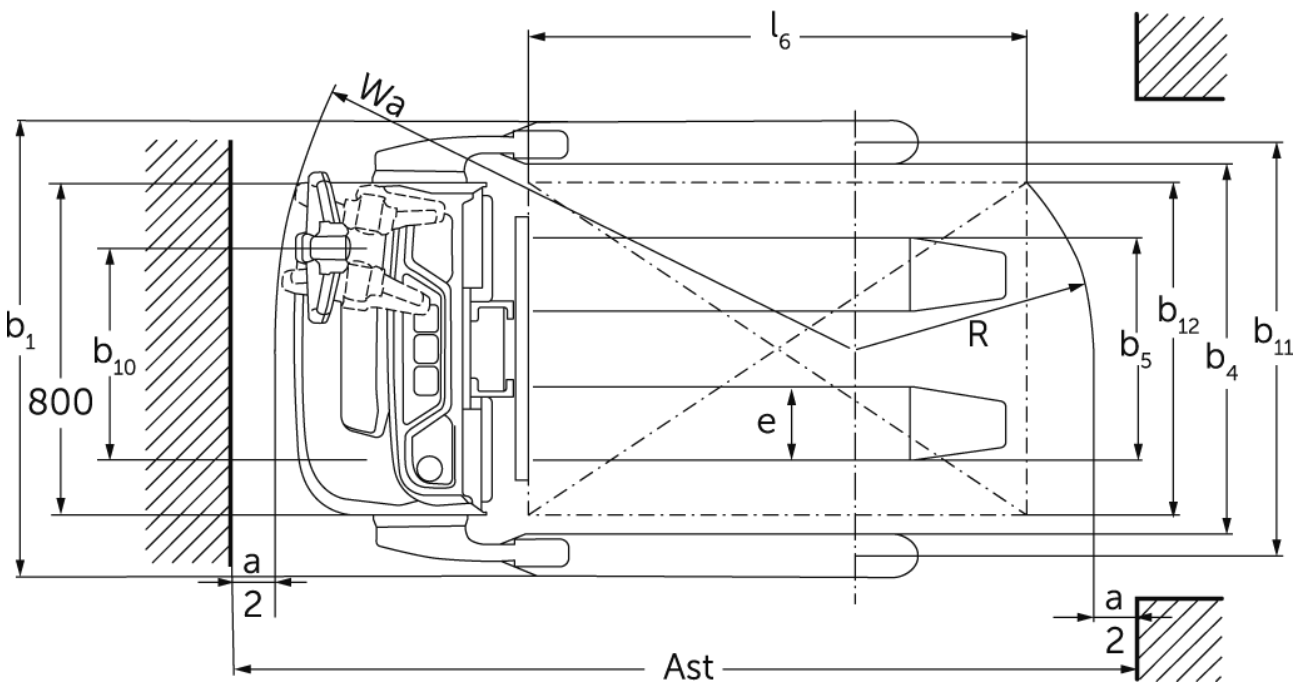
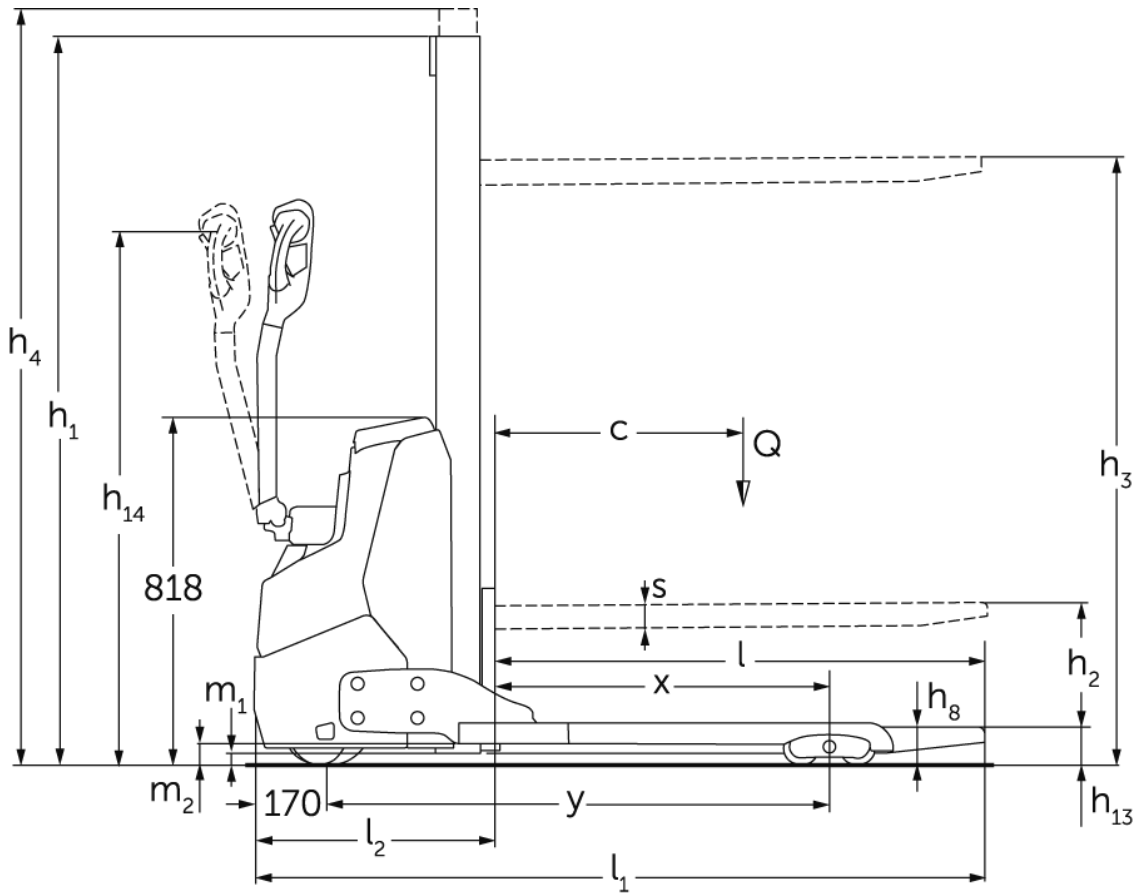




Electric pedestrian stacker **EJC 110bi**

Lift height: 1170-1970 mm / Load capacity: 1000 kg

EJC 110bi



EJC 110bi

VDI table

Stand-on: 07/2024

| | | | | | |
|--------------------------|----------------|---|--------------------------------|-------------------|-------------------|
| Characteristic | 1.1 | Manufacturer (abbreviated description) | | Jungheinrich | |
| | 1.2 | Manufacturer's type designation | | EJC 110bi | |
| | 1.3 | Drive | | Electric | |
| | 1.4 | Operation | | Pedestrian/tiller | |
| | 1.5 | Load capacity/load | Q | kg | 1000 |
| | 1.6 | Load centre distance | c | mm | 600 |
| | 1.8 | Load distance, centre of drive axle to fork | x | mm | 810 |
| | 1.9 | Wheelbase | y | mm | 1204 |
| | Weights | 2.1.1 | Service weight (incl. battery) | | kg |
| 2.2 | | Axle load laden front/rear | | kg | 545 / 970 |
| 2.3 | | Axle load unladen front/rear | | kg | 370 / 145 |
| Wheels/suspension system | 3.1 | Tyres | | | Polyurethane (PU) |
| | 3.2 | Tyre size, front | | | Ø 210 x 70 |
| | 3.3 | Tyre size, rear | | | - / Ø 85 x 75 |
| | 3.4 | Additional wheels | | | Ø 140x 54 |
| | 3.5 | Wheels, number front/back (x=driven) | | | 1x +1/2 |
| | 3.6 | Tread width, front | b10 | mm | 507 |
| | 3.7 | Tread width, rear | b11 | mm | 992 |
| | 3.7.1 | 2. Tread width, rear | | mm | 1162 |
| | 3.7.2 | 3. Tread width, rear | | mm | 1362 |
| Basic dimensions | 4.2 | Retracted mast height (h1) | h1 | mm | 1970 |
| | 4.3 | Free lift (h2) | h2 | mm | 1510 |
| | 4.4 | Lift (h3) | h3 | mm | 1510 |
| | 4.5 | Extended mast height (h4) | h4 | mm | 1970 |
| | 4.9 | Height of tiller handle in drive position min./max. | h14 | mm | 750 / 1260 |
| | 4.19 | total length | l1 | mm | 1714 |
| | 4.20 | Length including fork shank | l2 | mm | 564 |
| | 4.21.1 | total width | b1 | mm | 1098 |
| | 4.22 | Fork dimensions | s/e/l | mm | 60 x 178 x 1150 |
| | 4.25 | Width across forks | b5 | mm | 535 |
| | 4.26 | Width between support arms/loading areas | b4 | mm | 891 |
| | 4.32 | Ground clearance centre of wheelbase | m2 | mm | 51 |
| | 4.34.1 | Aisle width (pallet 1000x1200 sideways) | Ast | mm | 1960 |
| | 4.34.2 | Aisle width (pallet 800x1200 length) | Ast | mm | 2010 |
| 4.35 | Turning radius | Wa | mm | 1420 | |
| Performance data | 5.1 | Travel speed laden/unladen | | km/h | 5.3 / 5.3 |
| | 5.2 | Lift speed laden/unladen | | m/s | 0.15 / 0.25 |
| | 5.3 | Lowering speed laden/unladen | | m/s | 0.15 / 0.15 |
| | 5.7 | Gradeability laden/unladen | | % | 6 / 10 |
| | 5.10 | Service brake | | | generative |
| E - motor/Electronics | 6.1 | Drive motor, performance S2 60 min | | kW | 1 |
| | 6.2 | Lift motor, performance with S3 | | kW | 1.2 |
| | 6.3 | Battery according to DIN 43531/35/36 | | | no |
| | 6.4 | Battery voltage/nominal capacity | | V / Ah | 24 / 50 |
| | 6.5 | Battery weight | | kg | 24 |
| | 6.6.1 | Energy consumption according to EN cycle | | kWh/h | 0.35 |
| | 6.6.2 | CO2 equivalent as per EN 16796 | | kg/h | 0.2 |

| | | | | |
|--|------|--|--------|----|
| Other | 8.1 | Type of drive control | | AC |
| | 10.7 | Sound level as per EN12053, operator's ear | dB (A) | 64 |
| <p>- This data sheet according to VDI guideline 2198 only states the technical values of the standard truck. Different tyres, other masts, additional equipment etc. may result in different values.</p> | | | | |

Values for mast MM 1540 (fixed load carriage)

- VDI No. 1.8: For mast with fork carriage: x -42 mm.
- VDI No. 4.3: For mast with fork carriage: h2 -30 mm.
- VDI No. 4.4: For mast with fork carriage: h3 -30 mm.
- VDI No. 4.19: For mast with fork carriage: l1 +42 mm.
- VDI No. 4.20: For mast with fork carriage: l2 +42 mm.
- VDI No. 4.21.1: Wheel arm width b1 available in 3 stages: 1098 / 1268 / 1468 mm.
- VDI No. 4.34.1: for version with b1 = 1468 mm; diagonal according to VDI: Ast +398 mm; for mast with fork carriage: Ast+42 mm.
- VDI No. 4.34.2: Diagonal according to VDI: Ast + 169 mm; For mast with fork carriage: Ast +42 mm.

The German production facilities in
Norderstedt, Moosburg and Landsberg
are certified as well as our Genuine Parts
Center in Kaltenkirchen. ISO 9001
ISO 14001

Jungheinrich fork lift trucks meet
European safety requirements. 

**JUNGHEINRICH**