

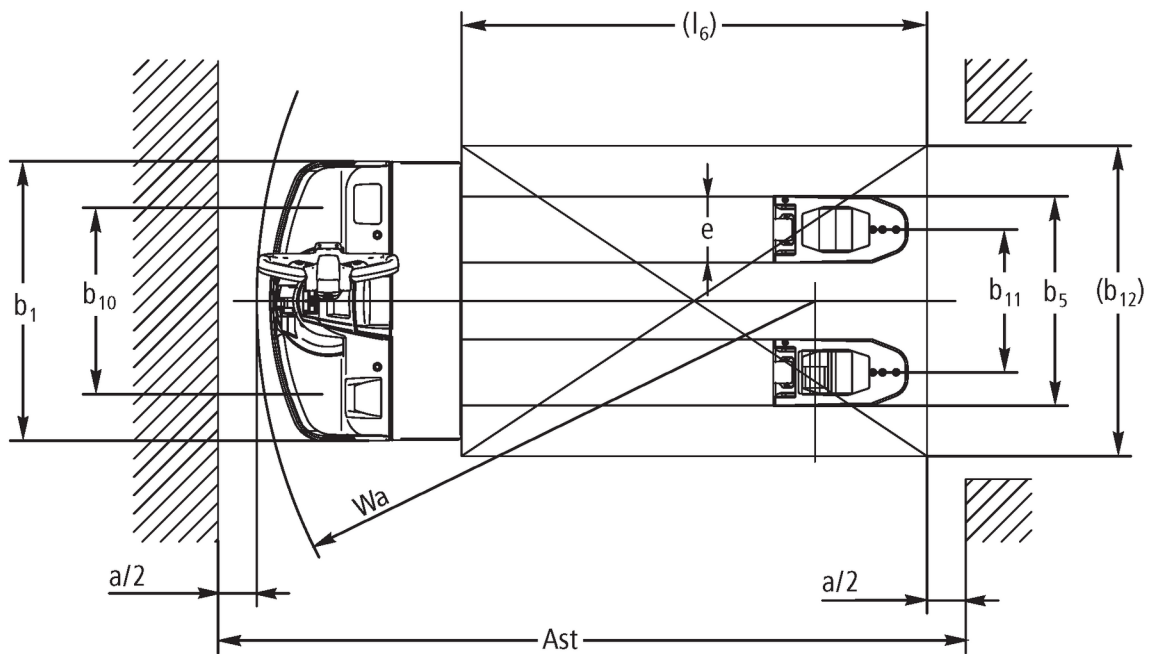
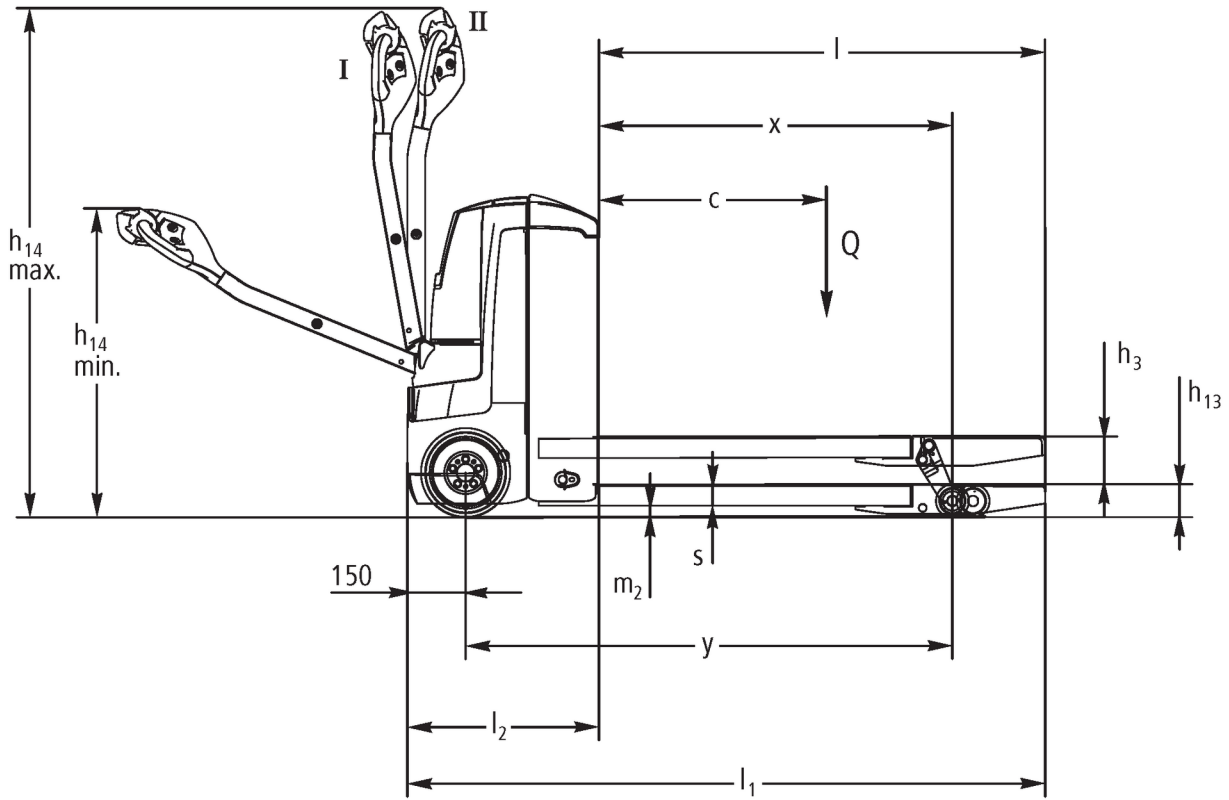


Electric pallet truck

EJE 114-120

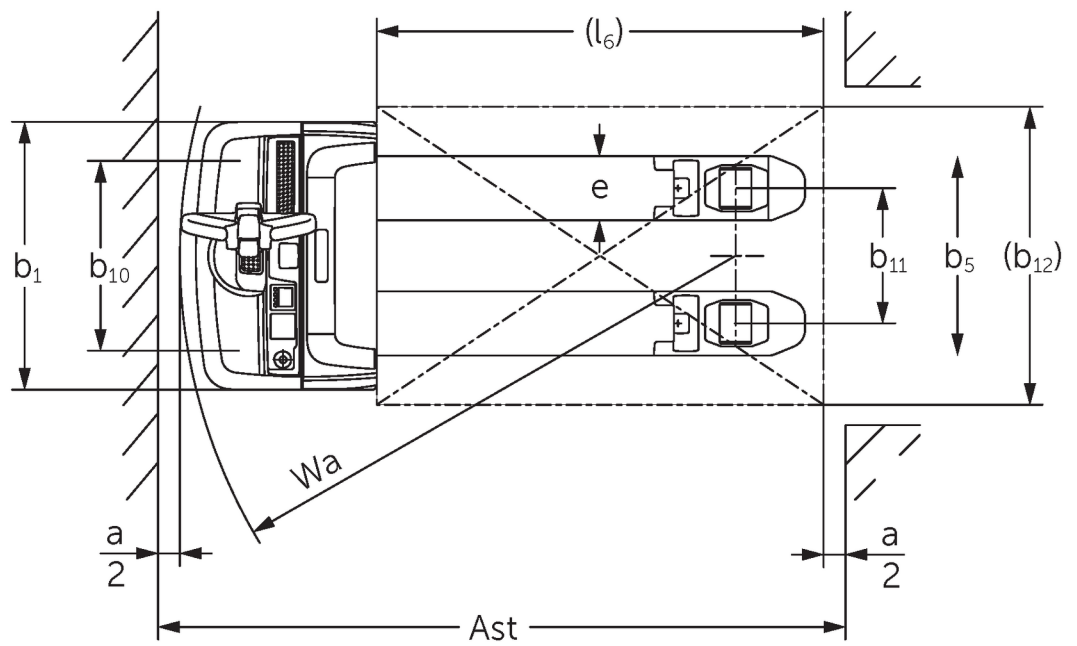
Lift height: 122 mm / Load capacity: 1400-2000 kg

EJE 114-120



I = Normal travel position; II = Crawl speed travel position

EJE 114-120



VDI table

Stand-on: 07/2024

| | | | | | | | |
|--------------------------|---|---|--------------------------------|-------------------------------|--------------------------------|----------------|----------------|
| Characteristic | 1.1 | Manufacturer (abbreviated description) | | Jungheinrich | | | |
| | 1.2 | Manufacturer's type designation | | EJE 114 | EJE 116 | EJE 118 | EJE 120 |
| | 1.3 | Drive | | Electric | | | |
| | 1.4 | Operation | | Pedestrian | | | |
| | 1.5 | Load capacity/load | Q kg | 1400 | 1600 | 1800 | 2000 |
| | 1.6 | Load centre distance | c mm | 600 | | | |
| | 1.8 | Load distance, centre of drive axle to fork | x mm | 908 | | | |
| | 1.9 | Wheelbase | y mm | 1252 | | | |
| | Weights | 2.1.1 | Service weight (incl. battery) | kg | 405 | 420 | |
| 2.2 | | Axle load laden front/rear | kg | 655 / 1150 | 695 / 1325 | 760 / 1460 | 785 / 1635 |
| 2.3 | | Axle load unladen front/rear | kg | 322 / 83 | 331 / 89 | | |
| Wheels/suspension system | 3.1 | Tyres | | Polyurethane (PU) | | - | |
| | 3.2 | Tyre size, front | | Ø 230 x 70 | | | |
| | 3.3 | Tyre size, rear | | Ø 85 x 95 / 82 x 70 / 82 x 35 | Ø 85 x 110 / 85 x 85 / 85 x 44 | | |
| | 3.4 | Additional wheels | | Ø 100 x 40 | | | |
| | 3.5 | Wheels, number front/back (x=driven) | | 1x +2/2 oder 4 | | | |
| | 3.6 | Tread width, front | b10 mm | 500 | 510 | | |
| | 3.7 | Tread width, rear | b11 mm | 363 | | | |
| Basic dimensions | 4.4 | Lift (h3) | h3 mm | 122 | | | |
| | 4.9 | Height of tiller handle in drive position min./max. | h14 mm | 750 / 1237 | | | |
| | 4.15 | Height, lowered | h13 mm | 85 | | | |
| | 4.19 | total length | l1 mm | 1636 | | | |
| | 4.20 | Length including fork shank | l2 mm | 486 | | | |
| | 4.21.1 | total width | b1 mm | 720 | | | |
| | 4.22 | Fork dimensions | s/ e/l mm | 55 x 150 x 1150 | 55 x 172 x 1150 | | |
| | 4.25 | Width across forks | b5 mm | 513 | 535 | | |
| | 4.32 | Ground clearance centre of wheelbase | m2 mm | 30 | | | |
| | 4.34.1 | Aisle width (pallet 1000x1200 sideways) | Ast mm | 2240 | | | |
| | 4.34.2 | Aisle width (pallet 800x1200 length) | Ast mm | 2128 | | | |
| 4.35 | Turning radius | Wa mm | 1433 | | | | |
| Performance data | 5.1 | Travel speed laden/unladen | km/h | 5 / 5 | 6 / 6 | | |
| | 5.2 | Lift speed laden/unladen | m/s | 0.03 / 0.03 | 0.04 / 0.04 | | |
| | 5.3 | Lowering speed laden/unladen | m/s | 0.05 / 0.04 | | | |
| | 5.8 | Max. gradeability laden/unladen | % | 8 / 20 | 10 / 20 | 9 / 20 | 8 / 20 |
| | 5.10 | Service brake | | generative | | | |
| E-motor/Electronics | 6.1 | Drive motor, performance S2 60 min | kW | 0.9 | 1.1 | | |
| | 6.2 | Lift motor, performance with S3 | kW | 1.2 | | | |
| | 6.3 | Battery according to DIN 43531/35/36 | | B | | | |
| | 6.4 | Battery voltage/nominal capacity | V / Ah | 24 / 150 | | | |
| | 6.5 | Battery weight | kg | 151 | | | |
| | 6.6 | Energy consumption according to VDI cycle | kWh/h | 0 | | | |
| | 6.6.1 | Energy consumption according to EN cycle | kWh/h | 0.32 | 0.31 | 0.3 | 0.34 |
| | 6.6.2 | CO2 equivalent as per EN 16796 | kg/h | 0.2 | | | |
| | 6.7 | Throughput | t/h | 67 | 93 | 104 | 117 |
| 6.8.1 | Energy consumption with max. throughput | kWh/h | 0.49 | 0.66 | 0.62 | 0.7 | |

| | | | | |
|--|------|--|--------|----|
| Other | 8.1 | Type of drive control | | AC |
| | 10.7 | Sound level as per EN12053, operator's ear | dB (A) | 61 |
| <p>- This data sheet according to VDI guideline 2198 only states the technical values of the standard truck. Different tyres, other masts, additional equipment etc. may result in different values.</p> | | | | |

- VDI no. 4.33: lowered load section: + 50 mm
- VDI no. 1.8: 1.9: 4.35: lowered load section: + 56 mm
- VDI no. 4.33.4: lowered load section: + 68 mm
- VDI no. 1.9: 4.19: 4.19.1: 4.20: 4.33: 4.33.4: 4.35: with lateral battery exchange: M = S + 69 mm; L / M LBE = S + 141 mm; L LBE = S + 194 mm

The German production facilities in
Norderstedt, Moosburg and Landsberg
are certified as well as our Genuine Parts
Center in Kaltenkirchen. ISO 9001
ISO 14001

Jungheinrich fork lift trucks meet
European safety requirements. 

**JUNGHEINRICH**