

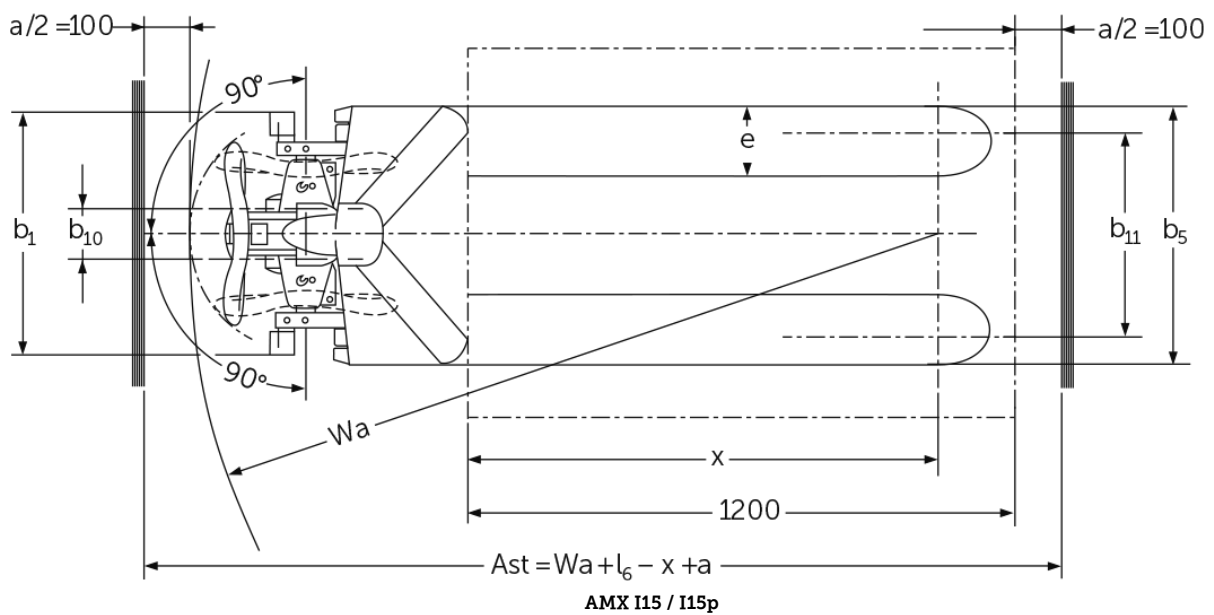
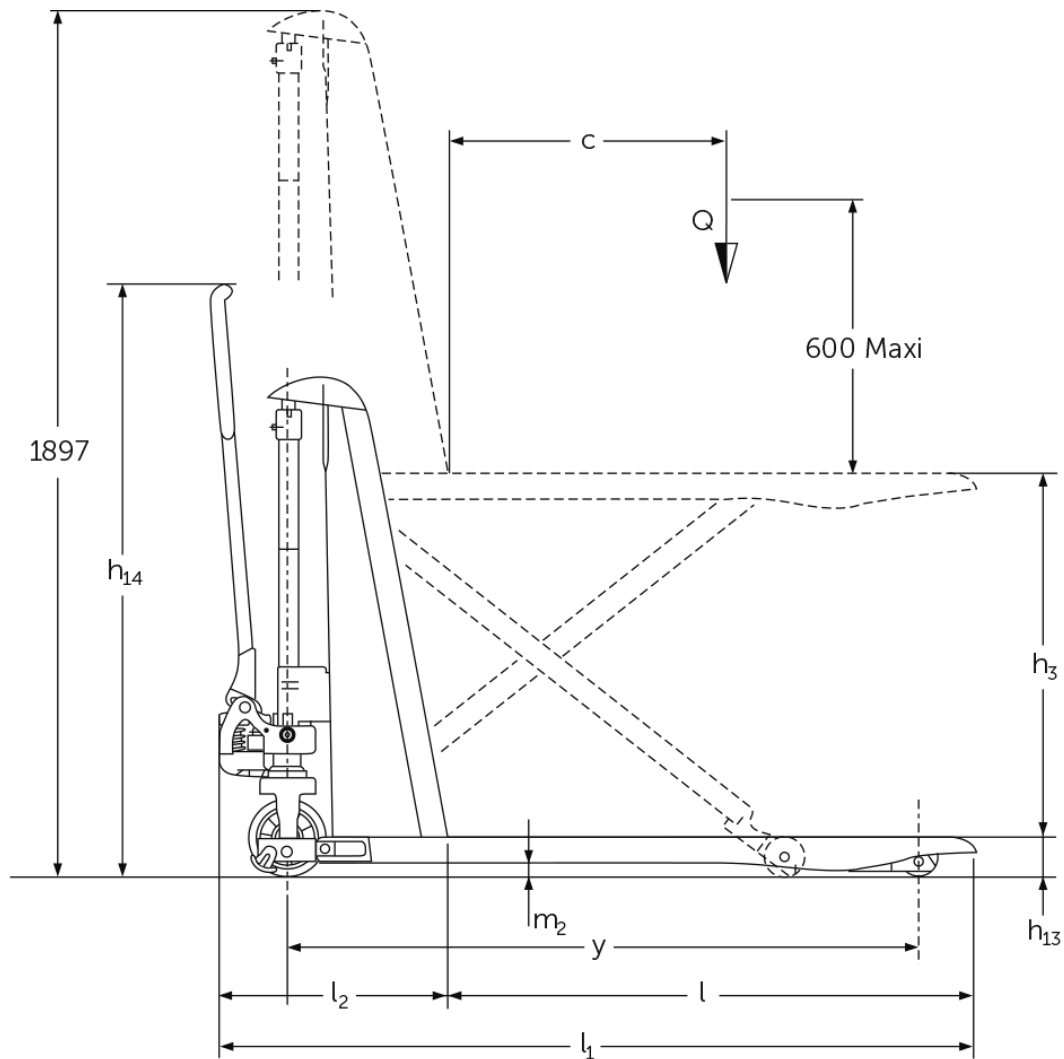


Scissor lift hand pallet truck **AMX 10 / 10e**

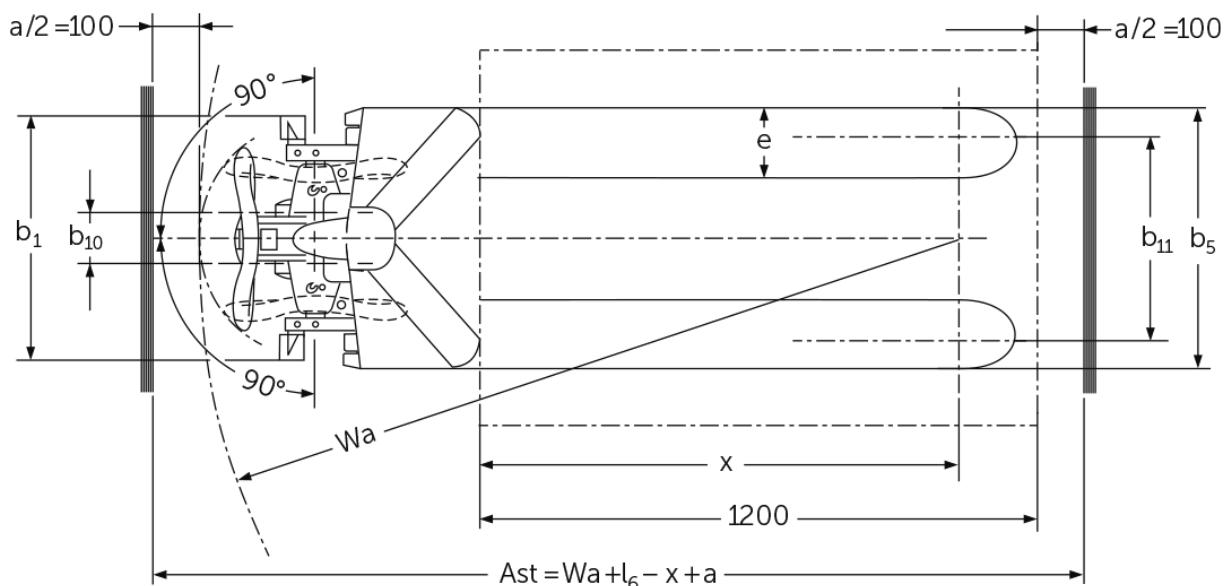
Lift height: 714 mm / Load capacity: 1000 kg

JUNGHEINRICH

AMX 10 / 10e



AMX 10 / 10e



AMX I15e / I15ep


VDI table

Stand-on: 07/2024

| | | | | | | | | | | | | | | | | | |
|--------------------------|------------------|---|-----------|-----------------|------------|------|------|------|------|--------|-----------------|------------|------|------|------|--|--|
| Characteristic | 1.1 | Manufacturer (abbreviated description) | | Jungheinrich | | | | | | | | | | | | | |
| | 1.2 | Manufacturer's type designation | | AMX 10e | | | | | | AMX 10 | | | | | | | |
| | 1.3 | Drive | | Electric | Manual | | | | | | | | | | | | |
| | 1.4 | Operation | | Manual | | | | | | | | | | | | | |
| | 1.5 | Load capacity/load | Q kg | 1000 | | | | | | | | | | | | | |
| | 1.6 | Load centre distance | c mm | 600 | | | | | | | | | | | | | |
| | 1.9 | Wheelbase | y mm | 1383 | - | | | | | | 1383 | - | | | | | |
| Weights | 2.1 | tare weight | kg | 195 | | | | | | 157 | | | | | | | |
| | 2.2 | Axle load laden front/rear | kg | 443 / 752 | - / - | | | | | | 406 / 751 | - / - | | | | | |
| | 2.3 | Axle load unladen front/rear | kg | 136 / 59 | - / - | | | | | | 101 / 56 | - / - | | | | | |
| Wheels/suspension system | 3.1 | Tyres | | C-GN | N-GN | V-GV | N-GN | C-GN | V-GV | C-GN | N-GN | V-GV | N-GN | C-GN | V-GV | | |
| | 3.2 | Tyre size, front | | Ø 170 x 50 | - | | | | | | Ø 170 x 50 | - | | | | | |
| | 3.3 | Tyre size, rear | | Ø 82 x 62 | - | | | | | | Ø 82 x 62 | - | | | | | |
| | 3.5 | Wheels, number front/back (x=driven) | | 2/2 | - | | | | | | 2/2 | - | | | | | |
| | 3.6 | Tread width, front | b10 mm | 109 | - | | | | | | 109 | - | | | | | |
| | 3.7 | Tread width, rear | b11 mm | 440 | - | | | | | | 440 | - | | | | | |
| | Basic dimensions | 4.4 | Lift (h3) | h3 mm | 714 | | | | | | | | | | | | |
| 4.5 | | Extended mast height (h4) | h4 mm | 1897 | - | | | | | | 1897 | - | | | | | |
| 4.9 | | Height of tiller handle in drive position min./max. | h14 mm | 1299 | - | | | | | | 1299 | - | | | | | |
| 4.15 | | Height, lowered | h13 mm | 86 | | | | | | | | | | | | | |
| 4.19 | | total length | l1 mm | 1650 | | | | | | | | | | | | | |
| 4.20 | | Length including fork shank | l2 mm | 500 | - | | | | | | 500 | - | | | | | |
| 4.21.1 | | total width | b1 mm | 560 | | | 680 | | | 560 | | | 680 | | | | |
| 4.22 | | Fork dimensions | s/ e/l mm | 53 x 150 x 1150 | 150 x 1150 | | | | | | 53 x 150 x 1150 | 150 x 1150 | | | | | |
| 4.25 | | Width across forks | b5 mm | 560 | | | 680 | | | 560 | | | 680 | | | | |
| 4.32 | | Ground clearance centre of wheelbase | m2 mm | 30 | - | | | | | | 30 | - | | | | | |
| 4.34.2 | | Aisle width (pallet 800x1200 length) | Ast mm | 2005 | - | | | | | | 2005 | - | | | | | |
| 4.35 | Turning radius | Wa mm | - | | | | | | 1635 | - | | | | | | | |
| Performance data | 5.3 | Lowering speed laden/unladen | m/s | 0.13 / 0.05 | - / - | | | | | | 0.11 / 0.04 | - / - | | | | | |
| E-motor/ Electronics | 6.2 | Lift motor, performance with S3 | kW | 0.5 | | | | | | - | | | | | | | |
| | 6.4 | Battery voltage/nominal capacity | V / Ah | 12 / 70 | | | | | | - | | | | | | | |
| | 6.5 | Battery weight | kg | 24 | - | | | | | | | | | | | | |

- This data sheet according to VDI guideline 2198 only states the technical values of the standard truck. Different tyres, other masts, additional equipment etc. may result in different values.

The German production facilities in
Norderstedt, Moosburg and Landsberg
are certified as well as our Genuine Parts
Center in Kaltenkirchen. ISO 9001
ISO 14001

Jungheinrich fork lift trucks meet
European safety requirements. 

 **JUNGHEINRICH**