

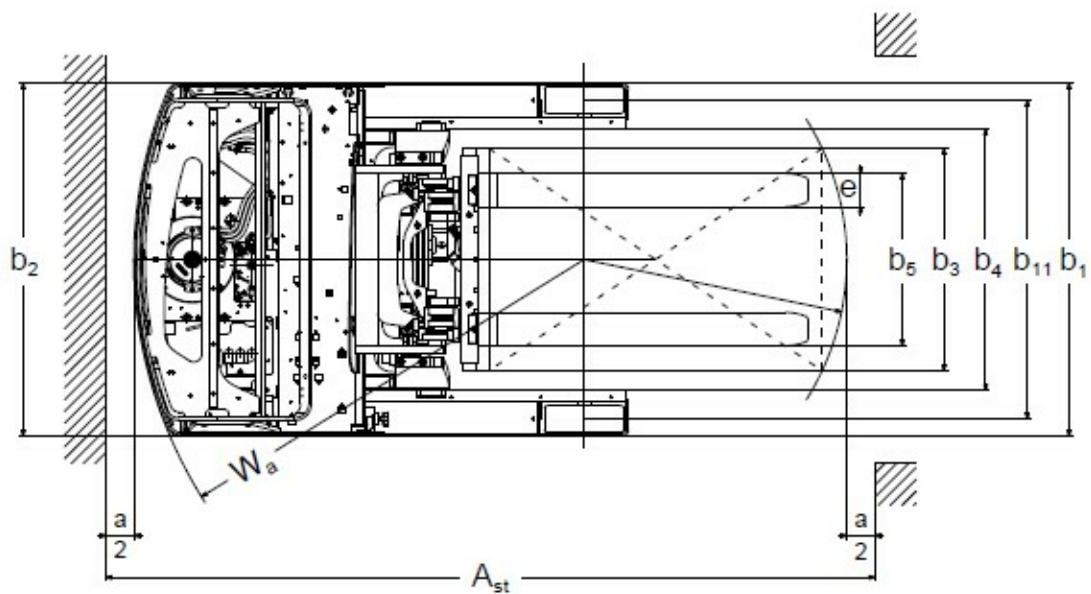
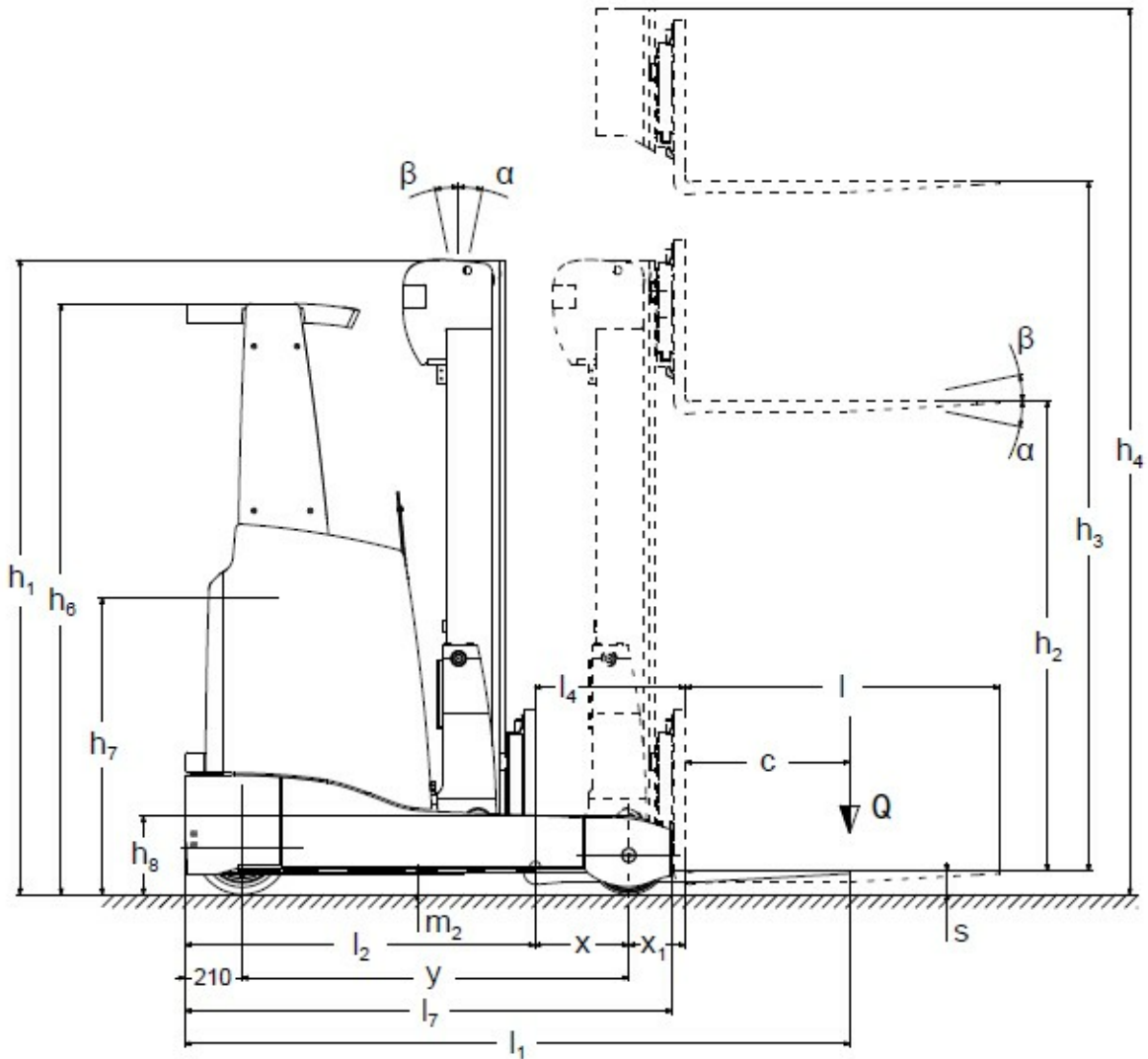


Electric reach truck

ETV MB 214/216

Lift height: 5000-10700 mm / Load capacity: 1400-1600 kg

ETV MB 214/216



ETV MB 214/216

VDI table

Stand-on: 07/2024

Characteristic	1.1	Manufacturer (abbreviated description)		Jungheinrich	
	1.2	Manufacturer's type designation		ETV MB 214	ETV MB 216
	1.3	Drive		Electric	
	1.4	Operation		Sideways-seated	
	1.5	Load capacity/load	Q kg	1400	1600
	1.6	Load centre distance	c mm	600	
	1.8	Load distance, centre of drive axle to fork	x mm	345	395
	1.8.1	Load distance, centre of drive axle to fork, mast extended	mm	205	
	1.9	Wheelbase	y mm	1410	1460
Weights	2.1.1	Service weight (incl. battery)	kg	3004	3070
	2.3	Axle load unladen front/rear	kg	1814 / 1190	1885 / 1185
	2.4	Axle load fork forward laden front/rear	kg	567 / 3837	534 / 4136
	2.5	Axle load fork back laden front/rear	kg	1551 / 2853	1650 / 3020
Wheels/suspension system	3.1	Tyres		Polyurethane (PU)	
	3.2	Tyre size, front		Ø 343 x 114	
	3.3	Tyre size, rear		Ø 285 x 100	
	3.5	Wheels, number front/back (x=driven)		1x / 2	
	3.7	Tread width, rear	b11 mm	1136	
Basic dimensions	4.1	Forward/backward tilt of mast	a/β °	1 / 5	
	4.2	Retracted mast height (h1)	h1 mm	2300	
	4.3	Free lift (h2)	h2 mm	1800	
	4.4	Lift (h3)	h3 mm	5300	
	4.5	Extended mast height (h4)	h4 mm	5952	
	4.7	Height of overhead guard (cab)	h6 mm	2154	
	4.8	Seat height/stand height	h7 mm	1068	
	4.10	Height of support arms	h8 mm	285	
	4.19	total length	l1 mm	2425	
	4.20	Length including fork shank	l2 mm	1275	
	4.21.1	total width	b1 mm	1270	
	4.21.2	total width	b2 mm	1270	
	4.22	Fork dimensions	s/e/l mm	40 x 120 x 1150	
	4.23	Fork carriage connection class		2B	
	4.24	Fork carriage width	b3 mm	800	
	4.25	Width across forks	b5 mm	335	
	4.26	Width between support arms/loading areas	b4 mm	940	
	4.28	Reach distance	mm	544	594
	4.32	Ground clearance centre of wheelbase	m2 mm	80	
	4.34.1	Aisle width (pallet 1000x1200 sideways)	Ast mm	2710	2723
4.34.2	Aisle width (pallet 800x1200 length)	Ast mm	2766	2771	
4.35	Turning radius	Wa mm	1620	1670	
4.37	Length over the support arms	L7 mm	1780	1830	
Performance data	5.1	Travel speed laden/unladen (Efficiency drivePLUS)	km/h	11 / 11 14 / 14	
	5.2	Lift speed laden/unladen (Efficiency liftPLUS)	m/s	0.36 / 0.7 0.51 / 0.7	0.34 / 0.7 0.48 / 0.7
	5.3	Lowering speed laden/unladen (Efficiency liftPLUS)	m/s	0.55 / 0.5 0.55 / 0.5	
	5.4	Reach speed laden/unladen (Efficiency liftPLUS)	m/s	0.2 / 0.2 0.2 / 0.2	
	5.7	Gradeability laden/unladen (Efficiency drivePLUS)	%	9 / 13 9 / 13	8 / 12 8 / 12
	5.8	Max. gradeability laden/unladen (Efficiency drivePLUS)	%	10 / 15 10 / 15	
5.9	Acceleration time laden/unladen (Efficiency drivePLUS)	s	5.3 / 5 4.5 / 4.2	5.3 / 5 4.7 / 4.3	

	5.10	Service brake		electric	
E-motor/Electronics	6.1	Drive motor, performance S2 60 min (Efficiency drivePLUS)	kW	6 8.5	
	6.2	Lift motor, performance with S3 (Efficiency liftPLUS)	kW	13.3 15.5	
	6.3	Battery according to DIN 43531/35/36		DIN 43531 C	
	6.4	Battery voltage/nominal capacity	V / Ah	48 / 465	
	6.5	Battery weight	kg	750	
	6.6.1	Energy consumption according to EN cycle (Efficiency PLUS)	kWh/h	2.41 2.89	2.72 3
	6.6.2	CO2 equivalent as per EN 16796 (Efficiency PLUS)	kg/h	1.3 1.6	1.5 1.6
	6.7	Throughput (Efficiency PLUS)	t/h	59 61	68 69
	6.8.1	Energy consumption with max. throughput (Efficiency PLUS)	kWh/h	2.66 3.47	2.77 3.83
Other	8.1	Type of drive control		Mosfet/AC	
	10.1	Operating pressure for attachment	bar	230	
	10.2	Oil flow for attachments	l/min	20	
	10.7	Sound level as per EN12053, operator's ear	dB (A)	70	
- This data sheet according to VDI guideline 2198 only states the technical values of the standard truck. Different tyres, other masts, additional equipment etc. may result in different values.					

The German production facilities in
Norderstedt, Moosburg and Landsberg
are certified as well as our Genuine Parts
Center in Kaltenkirchen. ISO 9001
ISO 14001

Jungheinrich fork lift trucks meet
European safety requirements. 

**JUNGHEINRICH**