

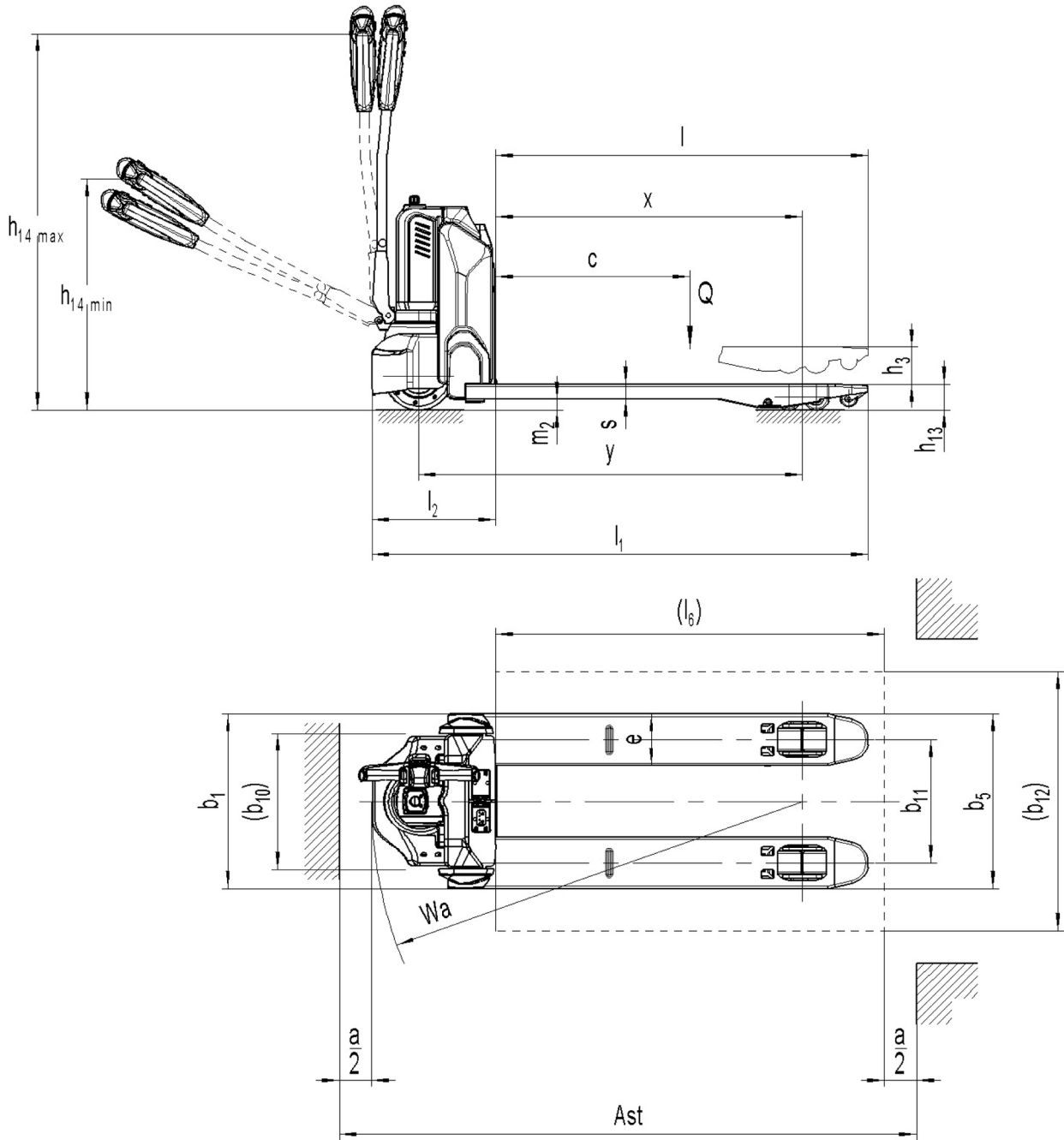


Electric pedestrian pallet truck

AME 15

Lift height: 115 mm / Load capacity: 1500 kg

AME 15



VDI table

Stand-on: 11/2022

Characteristic	1.1	Manufacturer (abbreviated description)		Jungheinrich				
	1.2	Manufacturer's type designation		AME 15				
	1.3	Drive		Elektro				
	1.4	Operation		Geh				
	1.5	Load capacity/load	Q kg	1500				
	1.6	Load centre distance	c mm	600				
	1.8	Load distance, centre of drive axle to fork	x mm	597	797	947	797	947
	1.9	Wheelbase	y mm	833	1033	1183	1033	1183
	Weights	2.1.1	Service weight (incl. battery)	kg	120	122	123	125
2.2		Axle load laden front/rear	kg	620 / 1000	622 / 1000	623 / 1000	625 / 1000	626 / 1000
2.3		Axle load unladen front/rear	kg	91 / 29	93 / 29	94 / 29	96 / 29	97 / 29
Wheels/suspension system	3.1	Tyres		Polyurethan (PU)				
	3.2	Tyre size, front		Ø210 x 70				
	3.3	Tyre size, rear		Ø80 x 70				
	3.5	Wheels, number front/back (x=driven)		1x / 4				
	3.7	Tread width, rear	b ₁₁ mm	380			525	
Basic dimensions	4.4	Lift (h ₃)	h ₃ mm	115				
	4.9	Height of tiller handle in drive position min./max.	mm	700 / 1160				
	4.15	Height, lowered	h ₁₃ mm	80				
	4.19	Overall length	l ₁ mm	1180	1380	1530	1380	1530
	4.20	Length including fork shank	l ₂ mm	380				
	4.21.1	Overall width	b ₁ mm	540			685	
	4.22	Fork dimensions	s/ e/l mm	47 x 160 x 800	47 x 160 x 1000	47 x 160 x 1150	47 x 160 x 1000	47 x 160 x 1150
	4.25	Width across forks	b ₅ mm	540			685	
	4.32	Ground clearance centre of wheelbase	m ₂ mm	33				
	4.34.2	Aisle width (pallet 800x1200 length)	Ast mm	1783			-	
	4.34.8	Aisle width (pallet 800x1200 crosswise)	Ast mm	1583		1733	1583	1733
	4.35	Turning radius	W _a mm	980	1180	1330	1180	1330
Performance data	5.1	Travel speed laden/unladen	km/h	4.6 / 4.8				
	5.2	Lift speed laden/unladen	m/s	0.02 / 0.02				
	5.3	Lowering speed laden/unladen	m/s	0.05 / 0.04				
	5.8	Max. gradeability laden/unladen	%	6 / 16				
	5.10	Service brake		elektromagnetisch				
E-motor/ Electronics	6.1	Drive motor, performance S2 60 min	kW	0.65				
	6.2	Lift motor, performance with S3	kW	0.5				
	6.4	Battery voltage/nominal capacity	V / Ah	24 / 36				
	6.5	Battery weight	kg	7				
Other	8.1	Type of drive control		Impuls/DC				
	10.7	Sound level as per EN12053, operator's ear	dB (A)	70				

- This data sheet according to VDI guideline 2198 only states the technical values of the standard truck. Different tyres, other masts, additional equipment etc. may result in different values.

The German production facilities in
Norderstedt, Moosburg and Landsberg
are certified.

ISO 9001
ISO 14001

Jungheinrich fork lift trucks meet
European safety requirements.



 **JUNGHEINRICH**

The Jungheinrich logo, featuring a red upward-pointing arrow above the word 'JUNGHEINRICH' in a bold, black, sans-serif font.