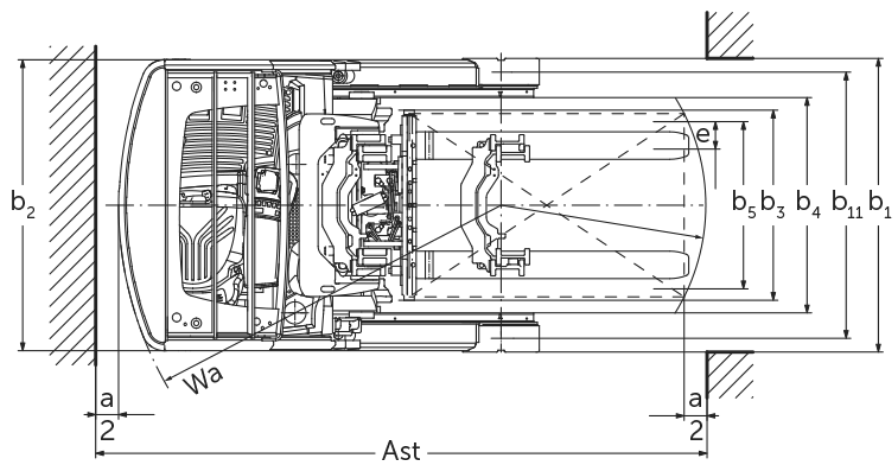
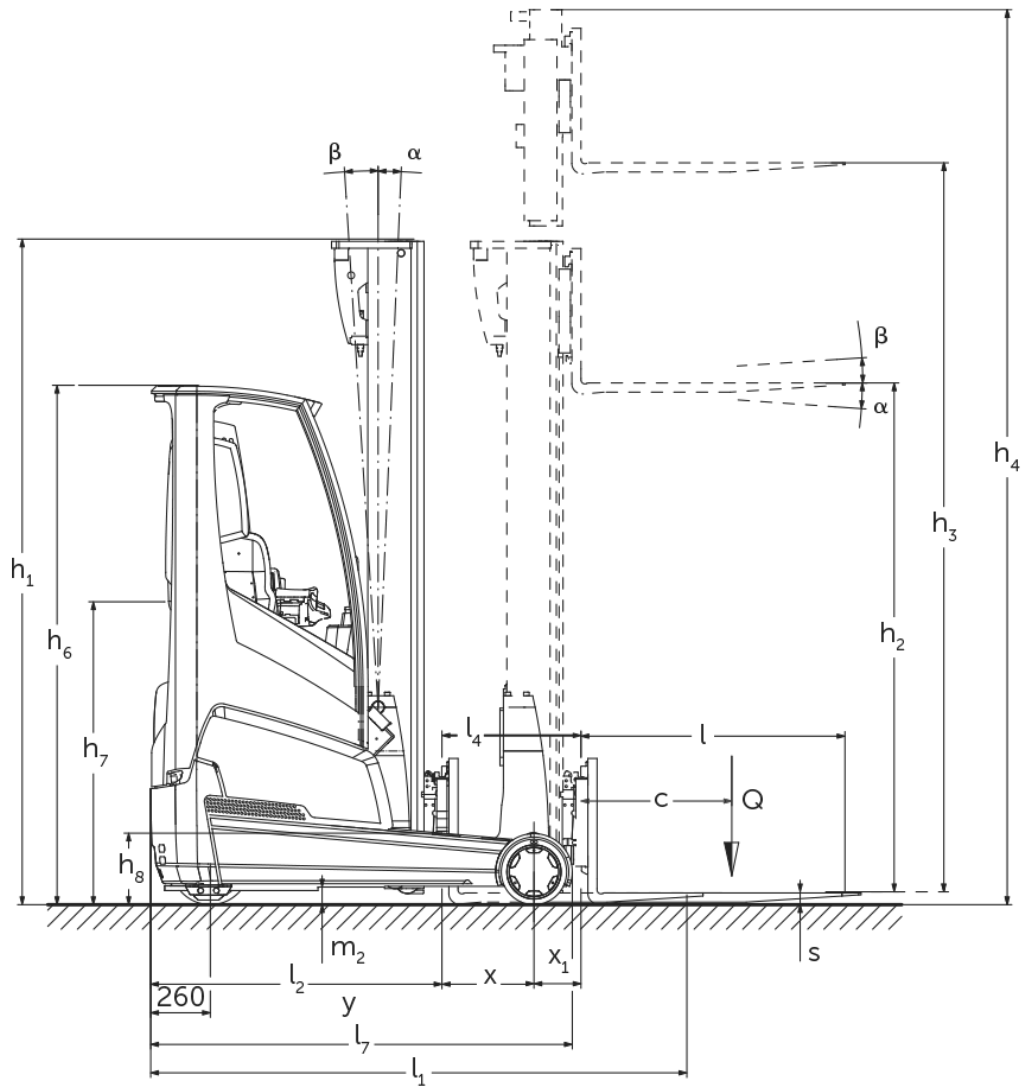




Electric reach truck **ETV 216i**

Lift height: 4550-10700 mm / Load capacity: 1600 kg

ETV 216i



ETV 216i

ETV 216i	Lift (h3)	Retracted mast height (h1)	Free lift (h2)	Extended mast height (h4)	Forward/backward tilt of mast	Forward/backward tilt of fork carriage
Fork tilt / Triplex mast DZ / cold-formed	5000 mm	2200 mm	1546 mm	5654 mm		2 / 5 °
	5300 mm	2300 mm	1646 mm	5954 mm		2 / 5 °
	5600 mm	2400 mm	1746 mm	6254 mm		2 / 5 °
	5900 mm	2500 mm	1846 mm	6554 mm		2 / 5 °
	6500 mm	2700 mm	2046 mm	7154 mm		2 / 5 °
	6800 mm	2800 mm	2146 mm	7454 mm		2 / 5 °
	7100 mm	2900 mm	2246 mm	7754 mm		2 / 5 °
	7400 mm	3000 mm	2346 mm	8054 mm		2 / 5 °
	7700 mm	3100 mm	2446 mm	8354 mm		2 / 5 °
	8000 mm	3200 mm	2546 mm	8654 mm		2 / 5 °
	8300 mm	3300 mm	2646 mm	8954 mm		2 / 5 °
	8420 mm	3340 mm	2686 mm	9074 mm		2 / 5 °
	8720 mm	3440 mm	2786 mm	9374 mm		2 / 5 °
	9020 mm	3540 mm	2886 mm	9674 mm		2 / 5 °
	9410 mm	3670 mm	3016 mm	10064 mm		2 / 5 °
	9920 mm	3840 mm	3186 mm	10574 mm		2 / 5 °
	10250 mm	3950 mm	3296 mm	10904 mm		2 / 5 °
	10520 mm	4040 mm	3386 mm	11174 mm		2 / 5 °
10700 mm	4100 mm	3446 mm	11354 mm		2 / 5 °	
Mast tilt / Triplex mast DZ / cold-formed	6500 mm	2700 mm	2046 mm	7154 mm	0.5 / 2 °	
	6800 mm	2800 mm	2146 mm	7454 mm	0.5 / 2 °	
	7100 mm	2900 mm	2246 mm	7754 mm	0.5 / 2 °	
	7310 mm	2970 mm	2316 mm	7964 mm	0.5 / 1 °	
	7400 mm	3000 mm	2346 mm	8054 mm	0.5 / 1 °	
	7700 mm	3100 mm	2446 mm	8354 mm	0.5 / 1 °	
	8000 mm	3200 mm	2546 mm	8654 mm	0.5 / 1 °	
	8300 mm	3300 mm	2646 mm	8954 mm	0.5 / 1 °	
	8420 mm	3340 mm	2686 mm	9074 mm	0.5 / 1 °	
	8720 mm	3440 mm	2786 mm	9374 mm	0.5 / 1 °	
	9020 mm	3540 mm	2886 mm	9674 mm	0.5 / 1 °	

Mast tilt / Triplex mast DZ / hot-rolled	4550 mm	2050 mm	1396 mm	5204 mm	1 / 3 °
	5000 mm	2200 mm	1546 mm	5654 mm	1 / 3 °
	5240 mm	2280 mm	1626 mm	5894 mm	1 / 3 °
	5300 mm	2300 mm	1646 mm	5954 mm	1 / 3 °
	5450 mm	2350 mm	1696 mm	6104 mm	1 / 3 °
	5600 mm	2400 mm	1746 mm	6254 mm	1 / 3 °
	5720 mm	2440 mm	1786 mm	6374 mm	1 / 3 °
	5900 mm	2500 mm	1846 mm	6554 mm	1 / 3 °
	6200 mm	2600 mm	1946 mm	6854 mm	1 / 3 °
	6500 mm	2700 mm	2046 mm	7154 mm	0.5 / 2 °
	6800 mm	2800 mm	2146 mm	7454 mm	0.5 / 2 °
	7100 mm	2900 mm	2246 mm	7754 mm	0.5 / 2 °
	7310 mm	2970 mm	2316 mm	7964 mm	0.5 / 1 °
	7400 mm	3000 mm	2346 mm	8054 mm	0.5 / 1 °
	Triplex mast DZ / cold-formed	6200 mm	2600 mm	1946 mm	6854 mm

VDI table

Stand-on: 09/2024

Characteristic	1.1	Manufacturer (abbreviated description)			Jungheinrich
	1.2	Manufacturer's type designation			ETV 216i
	1.3	Drive			Electric
	1.4	Operation			Sideways-seated
	1.5	Load capacity/load	Q	kg	1600
	1.6	Load centre distance	c	mm	600
	1.8	Load distance, centre of drive axle to fork	x	mm	401
	1.8.1	Load distance, centre of drive axle to fork, mast extended		mm	215
	1.9	Wheelbase	y	mm	1410
Weights	2.1.1	Service weight (incl. battery)		kg	3438
	2.3	Axle load unladen front/rear		kg	2292 / 1146
	2.4	Axle load fork forward laden front/rear		kg	902 / 4132
	2.5	Axle load fork back laden front/rear		kg	2024 / 3014
Wheels/suspension system	3.1	Tyres			Polyurethane (PU)
	3.2	Tyre size, front			Ø 343 x 114
	3.3	Tyre size, rear			Ø 285 x 100
	3.5	Wheels, number front/back (x=driven)			1x / 2
	3.7	Tread width, rear	b11	mm	1168
Basic dimensions	4.1	Forward/backward tilt of mast	a/β	°	1 / 3
	4.2	Retracted mast height (h1)	h1	mm	2300
	4.3	Free lift (h2)	h2	mm	1646
	4.4	Lift (h3)	h3	mm	5300
	4.5	Extended mast height (h4)	h4	mm	5954
	4.7	Height of overhead guard (cab)	h6	mm	2263
	4.8	Seat height/stand height	h7	mm	1079
	4.10	Height of support arms	h8	mm	309
	4.19	total length	l1	mm	2419
	4.20	Length including fork shank	l2	mm	1269
	4.21.1	total width	b1	mm	1282
	4.21.2	total width	b2	mm	1270
	4.22	Fork dimensions	s/e/l	mm	40 x 120 x 1150
	4.23	Fork carriage connection class			2B
	4.24	Fork carriage width	b3	mm	830
	4.25	Width across forks	b5	mm	335
	4.25.1	Width across forks (min./max.)	b5	mm	335 / 705
	4.26	Width between support arms/loading areas	b4	mm	940
	4.28	Reach distance		mm	616
	4.32	Ground clearance centre of wheelbase	m2	mm	80
4.34.1	Aisle width (pallet 1000x1200 sideways)	Ast	mm	2713	
4.34.2	Aisle width (pallet 800x1200 length)	Ast	mm	2759	
4.35	Turning radius	Wa	mm	1665	
4.37	Length over the support arms	L7	mm	1837	
Performance data	5.1	Travel speed laden/unladen (Efficiency drivePLUS)		km/h	11 / 11 14 / 14
	5.2	Lift speed laden/unladen (Efficiency liftPLUS)		m/s	0.35 / 0.7 0.59 / 0.81
	5.3	Lowering speed laden/unladen (Efficiency liftPLUS)		m/s	0.56 / 0.56 0.56 / 0.56
	5.4	Reach speed laden/unladen (Efficiency liftPLUS)		m/s	0.18 / 0.18 0.24 / 0.24
	5.7	Gradeability laden/unladen (Efficiency drivePLUS)		%	8 / 12 8 / 12
	5.8	Max. gradeability laden/unladen (Efficiency drivePLUS)		%	10 / 15 10 / 15

	5.9	Acceleration time laden/unladen (Efficiency drivePLUS)	s	5.1 / 4.9 4.7 / 4.3
	5.10	Service brake		electric
E-motor/Electronics	6.1	Drive motor, performance S2 60 min (Efficiency drivePLUS)	kW	6 8.5
	6.2	Lift motor, performance with S3 (Efficiency liftPLUS)	kW	13.3 15.5
	6.4	Battery voltage/nominal capacity	V / Ah	51.2 / 390
	6.6	Energy consumption according to VDI cycle	kWh/h	3.3
	6.6.1	Energy consumption according to EN cycle (Efficiency PLUS)	kWh/h	3.19 3.34
	6.6.2	CO2 equivalent as per EN 16796 (Efficiency PLUS)	kg/h	1.7 1.8
	6.7	Throughput (Efficiency PLUS)	t/h	59.68 71.2
	6.8.1	Energy consumption with max. throughput (Efficiency PLUS)	kWh/h	3.09 4.18
Other	10.1	Operating pressure for attachment	bar	150
	10.2	Oil flow for attachments	l/min	20
	10.7	Sound level as per EN12053, operator's ear	dB (A)	70

- This data sheet according to VDI guideline 2198 only states the technical values of the standard truck. Different tyres, other masts, additional equipment etc. may result in different values.

- Efficiency: Values of standard package | PLUS: Values of performance package
- VDI no. 1.8: the mast type influences the load distance, centre of drive axle to fork x
 - VDI no. 2.1.1: battery size and mast version affect service weight and axle loads
 - VDI no. 2.3: battery size and mast version affect service weight and axle loads
 - VDI no. 2.4: battery size and mast version affect service weight and axle loads
 - VDI no. 2.5: battery size and mast version affect service weight and axle loads
 - VDI no. 4.1: the mast version determines the tilt values
 - VDI no. 4.19: the mast type and the fork length influence the overall length l1
 - VDI no. 4.20: the mast type influences the length including fork shank l2
 - VDI no. 4.28: the mast type influences the reach distance l4
 - VDI no. 4.34.1: the mast type influences the aisle widths
 - VDI no. 4.34.2: the mast type influences the aisle widths
 - VDI no. 6.6.1: PLUS refers to the drive&liftPLUS performance package
 - VDI no. 6.6.2: PLUS refers to the drive&liftPLUS performance package
 - VDI no. 6.7: PLUS refers to the drive&liftPLUS performance package
 - VDI no. 6.8.1: PLUS refers to the drive&liftPLUS performance package

The German production facilities in
Norderstedt, Moosburg and Landsberg
are certified as well as our Genuine Parts
Center in Kaltenkirchen. ISO 9001
ISO 14001

Jungheinrich fork lift trucks meet
European safety requirements. 

Friedrich-Ebert-Damm 129 22047 Hamburg Telefon 0800 222 585858* *Deutschland

 **JUNGHEINRICH**