

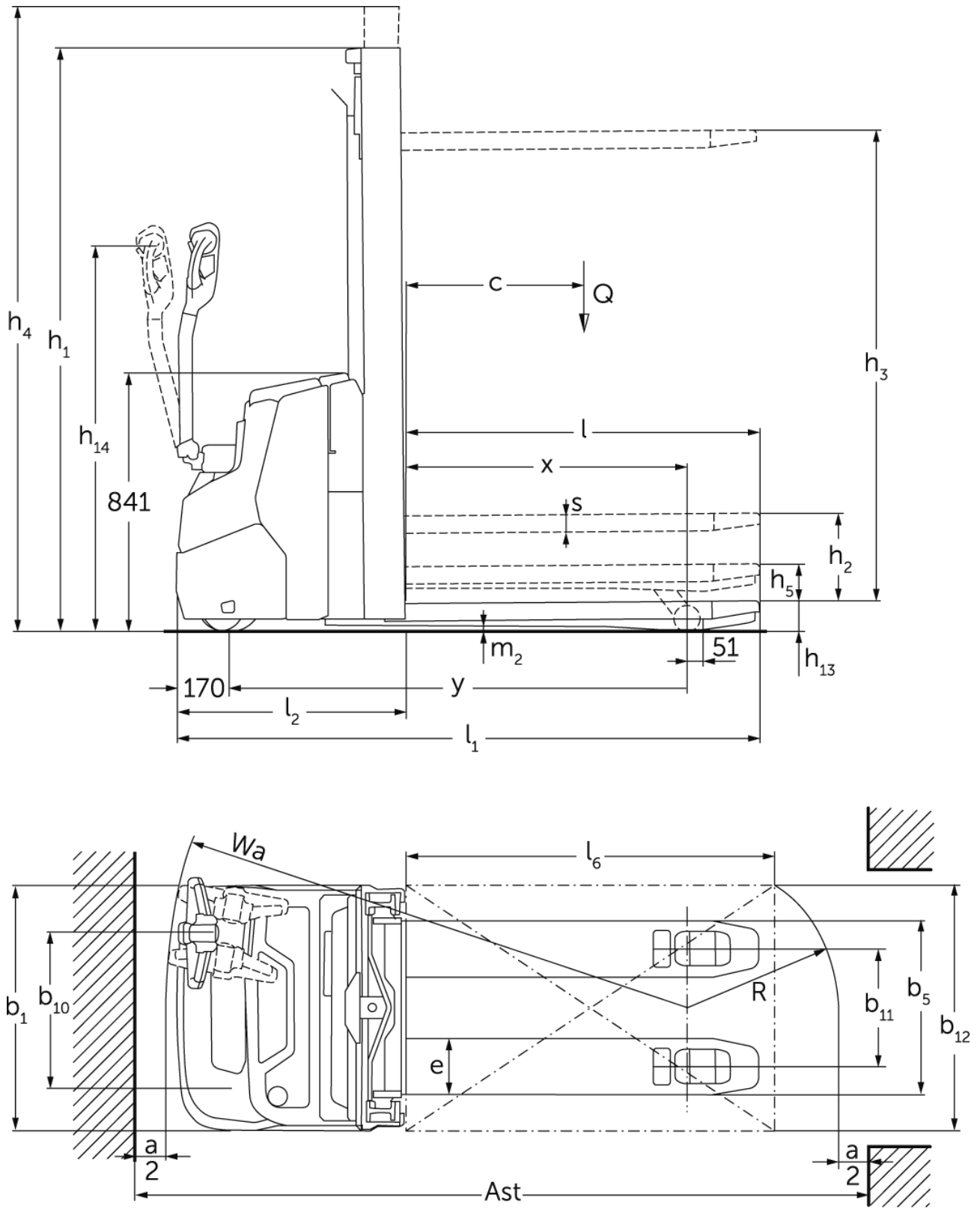


Electric pedestrian stacker with support arm lift

EJC 110zi / 112zi

Lift height: 2300-4700 mm / Load capacity: 1000-1200 kg

EJC 110zi / 112zi



EJC 110zi / 112zi

EJC 110zi, EJC 112zi	Lift (h3)	Retracted mast height (h1)	Free lift (h2)	Extended mast height (h4)
Duplex mast ZT	2300 mm	1650 mm	100 mm	2775 mm
	2500 mm	1750 mm	100 mm	2975 mm
	2700 mm	1850 mm	100 mm	3175 mm
	2900 mm	1950 mm	100 mm	3375 mm
	3200 mm	2100 mm	100 mm	3675 mm
	3600 mm	2300 mm	100 mm	4075 mm
	3900 mm	2450 mm	100 mm	4375 mm
Duplex mast ZZ	2300 mm	1600 mm	1125 mm	2775 mm
	2500 mm	1700 mm	1225 mm	2975 mm
	2900 mm	1900 mm	1425 mm	3375 mm
	3200 mm	2050 mm	1575 mm	3675 mm
	3600 mm	2250 mm	1775 mm	4075 mm
	3900 mm	2400 mm	1925 mm	4375 mm
Triplex mast DZ	4090 mm	1845 mm	1338 mm	4597 mm
	4300 mm	1915 mm	1408 mm	4807 mm
EJC 112zi	Lift (h3)	Retracted mast height (h1)	Free lift (h2)	Extended mast height (h4)
Duplex mast ZT	4100 mm	2550 mm	100 mm	4575 mm
	4300 mm	2650 mm	100 mm	4775 mm
Triplex mast DZ	4700 mm	2050 mm	1564 mm	5213 mm

VDI table

Stand-on: 11/2024

				•		Jungheinrich	
Characteristic	1.1	Manufacturer (abbreviated description)				EJC 110zi EJC 112zi	
	1.2	Manufacturer's type designation				Electric	
	1.3	Drive				Pedestrian	
	1.4	Operation					
	1.5	Load capacity/load	Q	kg	1000	1200	
	1.5.1	Rated capacity/load with mast lift	Q	kg	1000	1200	
	1.5.2	Rated capacity/load with support arm lift	Q	kg	1400	1600	
	1.6	Load centre distance	c	mm	600		
	1.8	Load distance, centre of drive axle to fork	x	mm	914		
1.9	Wheelbase	y	mm	1493			
Weights	2.1.1	Service weight (incl. battery)		kg	860	870	
	2.2	Axle load laden front/rear		kg	840 / 1020	890 / 1180	
	2.3	Axle load unladen front/rear		kg	610 / 250	620 / 250	
Wheels/suspension system	3.1	Tyres				Polyurethane (PU)	
	3.2	Tyre size, front				Ø230 x 70	
	3.3	Tyre size, rear				Ø 85 x 95 / Ø 85 x 75	
	3.4	Additional wheels				Ø140 x 54	
	3.5	Wheels, number front/back (x=driven)				1x +1 / 2	
	3.6	Tread width, front	b10	mm	507		
	3.7	Tread width, rear	b11	mm	385		
Basic dimensions	4.2	Retracted mast height (h1)		h1	mm	1950	
	4.3	Free lift (h2)		h2	mm	100	
	4.4	Lift (h3)		h3	mm	2900	
	4.5	Extended mast height (h4)		h4	mm	3375	
	4.6	Initial lift		h5	mm	122	
	4.9	Height of tiller handle in drive position min./max.		h14	mm	750 / 1260	
	4.15	Height, lowered		h13	mm	90	
	4.19	total length		l1	mm	1899	
	4.20	Length including fork shank		l2	mm	749	
	4.21.1	total width		b1	mm	800	
	4.22	Fork dimensions		s/e/l	mm	56 x 185 x 1150	
	4.25	Width across forks		b5	mm	570	
	4.32	Ground clearance centre of wheelbase		m2	mm	18	
	4.34.1	Aisle width (pallet 1000x1200 sideways)		Ast	mm	2136	
4.34.2	Aisle width (pallet 800x1200 length)		Ast	mm	2186		
4.35	Turning radius		Wa	mm	1700		
Performance data	5.1	Travel speed laden/unladen		km/h	6 / 6		
	5.2	Lift speed laden/unladen		m/s	0.15 / 0.24	0.16 / 0.29	
	5.3	Lowering speed laden/unladen		m/s	0.34 / 0.34	0.41 / 0.37	
	5.8	Max. gradeability laden/unladen		%	5 / 14		
	5.10	Service brake				generative	
E - motor/Electronics	6.1	Drive motor, performance S2 60 min		kW	0.9		
	6.2	Lift motor, performance with S3		kW	2.2		
	6.3	Battery according to DIN 43531/35/36				no	
	6.4	Battery voltage/nominal capacity		V / Ah	24 / 105		
	6.5	Battery weight		kg	45		
	6.6.1	Energy consumption according to EN cycle		kWh/h	0.66		

	6.6.2	CO2 equivalent as per EN 16796	kg/h	0.4
Other	8.1	Type of drive control		AC
	10.7	Schalldruckpegel nach EN12053	dB (A)	65
- This data sheet according to VDI guideline 2198 only states the technical values of the standard truck. Different tyres, other masts, additional equipment etc. may result in different values.				

All values for standard mast type 2900 ZT; support arms raised.

- VDI no. 1.8: with DZ mast: $x - 40$ mm; with lowered support arms: $x + 51$ mm.
- VDI no. 1.9: with lowered support arms: $y + 51$ mm.
- VDI no. 4.19: with DZ mast: $l1 + 40$ mm.
- VDI no. 4.20: with DZ mast: $l2 + 40$ mm.
- VDI no. 4.34.1: diagonal as per VDI: aisle width + 370 mm; with DZ: aisle width + 40 mm; tiller in upright position (slow travel).
- VDI no. 4.34.2: diagonal as per VDI: aisle width + 206 mm; with DZ mast: aisle width + 40 mm; tiller in upright position (slow travel).
- VDI no. 4.35: with lowered support arms: $x + 51$ mm; tiller in upright position (slow travel).
- VDI no. 5.8: max. gradeability laden with VDI 1.5.2: 4%.
- VDI no. 6.2: EJC 110zi: S3 = 5% ED; EJC 112zi: S3 = 10% ED.

The German production facilities in
Norderstedt, Moosburg and Landsberg
are certified as well as our Genuine Parts
Center in Kaltenkirchen. ISO 9001
ISO 14001

Jungheinrich fork lift trucks meet
European safety requirements. 

**JUNGHEINRICH**