

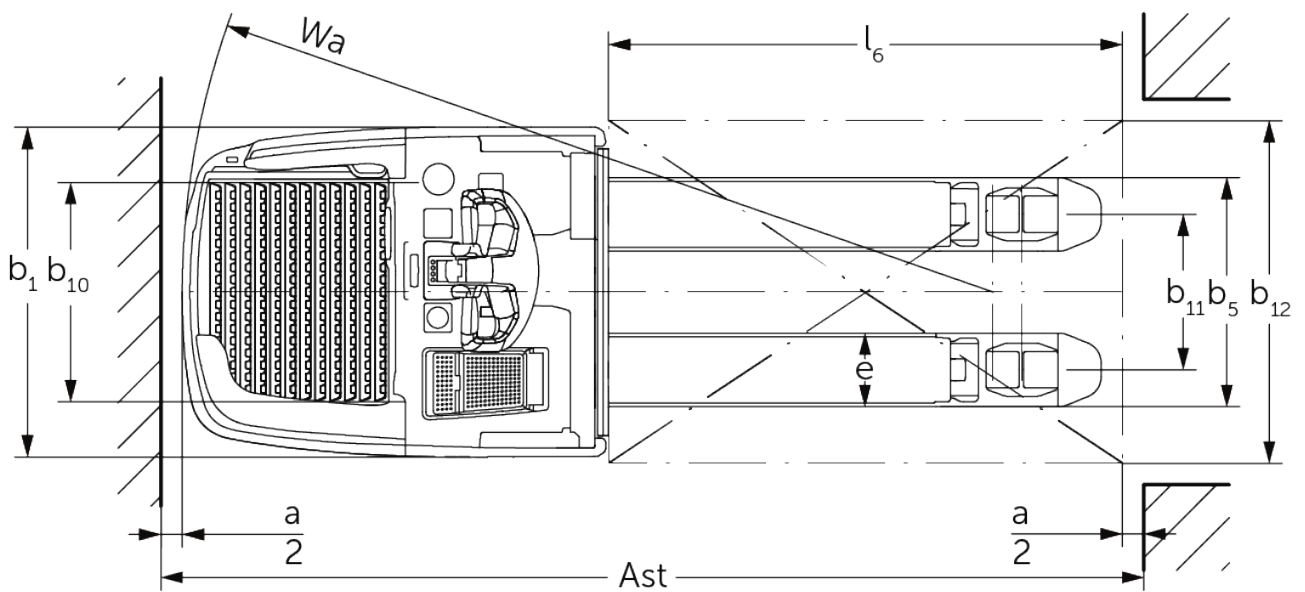


Electric ride-on/pedestrian pallet truck

ERE 225i

Lift height: 122 mm / Load capacity: 2500 kg

ERE 225i



VDI table

Stand-on: 11/2024

Characteristic	1.1	Manufacturer (abbreviated description)		•	Jungheinrich
	1.2	Manufacturer's type designation			ERE 225i
	1.3	Drive			Electric
	1.4	Operation			Tiller
	1.5	Load capacity/load	Q	kg	2500
	1.6	Load centre distance	c	mm	600
	1.8	Load distance, centre of drive axle to fork	x	mm	898
	1.9	Wheelbase	y	mm	1255
	Weights	2.1.1	Service weight (incl. battery)		kg
2.2		Axle load laden front/rear		kg	1390 / 1920
2.3		Axle load unladen front/rear		kg	670 / 140
Wheels/suspension system	3.1	Tyres			Polyurethane (PU)
	3.2	Tyre size, front			ø 230 x 77
	3.3	Tyre size, rear			ø 85 x 110 / ø 85 x 85
	3.4	Additional wheels			ø 140 x 57
	3.5	Wheels, number front/back (x=driven)			1x + 2 / 2 oder 4
	3.6	Tread width, front	b10	mm	512
	3.7	Tread width, rear	b11	mm	363
Basic dimensions	4.4	Lift (h3)	h3	mm	120
	4.9	Height of tiller handle in drive position min./max.	h14	mm	1215 / 1275
	4.15	Height, lowered	h13	mm	85
	4.19	total length	l1	mm	2139
	4.20	Length including fork shank	l2	mm	989
	4.21.1	total width	b1	mm	770
	4.22	Fork dimensions	s/e/l	mm	56 x 172 x 1150
	4.25	Width across forks	b5	mm	535
	4.32	Ground clearance centre of wheelbase	m2	mm	18
	4.34.1	Aisle width (pallet 1000x1200 sideways)	Ast	mm	2346
	4.34.2	Aisle width (pallet 800x1200 length)	Ast	mm	2396
4.35	Turning radius	Wa	mm	1894	
Performance data	5.1	Travel speed laden/unladen (Efficiency drivePLUS)		km/h	9 / 12 9 / 14
	5.2	Lift speed laden/unladen		m/s	0.05 / 0.07
	5.3	Lowering speed laden/unladen		m/s	0.12 / 0.05
	5.7	Gradeability laden/unladen (Efficiency drivePLUS)		%	8 / 16 8 / 16
	5.10	Service brake			generative
E-motor/Electronics	6.1	Drive motor, performance S2 60 min (Efficiency drivePLUS)		kW	2.8 3.2
	6.2	Lift motor, performance with S3		kW	2.2
	6.3	Battery according to DIN 43531/35/36			Jungheinrich Li-ion
	6.4	Battery voltage/nominal capacity		V / Ah	24 / 260
	6.5	Battery weight		kg	100
	6.6.1	Energy consumption according to EN cycle (Efficiency PLUS)		kWh/h	0.42 0.45
	6.6.2	CO2 equivalent as per EN 16796 (Efficiency PLUS)		kg/h	0.2 0.3
	6.7	Throughput (Efficiency PLUS)		t/h	205 210
	6.8	Turnover efficiency according to VDI 2198 (Efficiency PLUS)		t/kWh	139 131
6.8.1	Energy consumption with max. throughput (Efficiency PLUS)		kWh/h	1.48 1.6	

Other	10.7	Schalldruckpegel nach EN12053	dB (A)	67.1
<p>- This data sheet according to VDI guideline 2198 only states the technical values of the standard truck. Different tyres, other masts, additional equipment etc. may result in different values.</p>				

The values in the table apply to the fixed stand-on platform, integrated M battery compartment, 260-Ah battery, fork length 1,150 mm, raised load section.

Entry height for stand-on platform: 202 / 214 mm (stand-on platform standard / stand-on platform suspension adjustable).

Ground clearance at end of stand-on platform: 117 / 98 mm (stand-on platform standard / stand-on platform compact).

- VDI no. 1.8: lowered load section: $x + 66$ mm.
- VDI no. 1.9: lowered load section: $y + 66$ mm.
- VDI no. 4.19: with compact stand-on platform: $l1 - 103$ mm.
- VDI no. 4.20: with compact stand-on platform: $l2 - 103$ mm.
- VDI no. 4.34.1: diagonal as per VDI: aisle width + 357 mm. With compact stand-on platform: aisle width - 108 mm.
- VDI no. 4.34.2: diagonal as per VDI: aisle width + 199 mm. With compact stand-on platform: aisle width - 108 mm.
- VDI no. 4.35: lowered load section: $Wa + 66$ mm. With compact stand-on platform: aisle width - 108 mm.

The German production facilities in
Norderstedt, Moosburg and Landsberg
are certified as well as our Genuine Parts
Center in Kaltenkirchen. ISO 9001
ISO 14001

Jungheinrich fork lift trucks meet
European safety requirements. 

 **JUNGHEINRICH**