

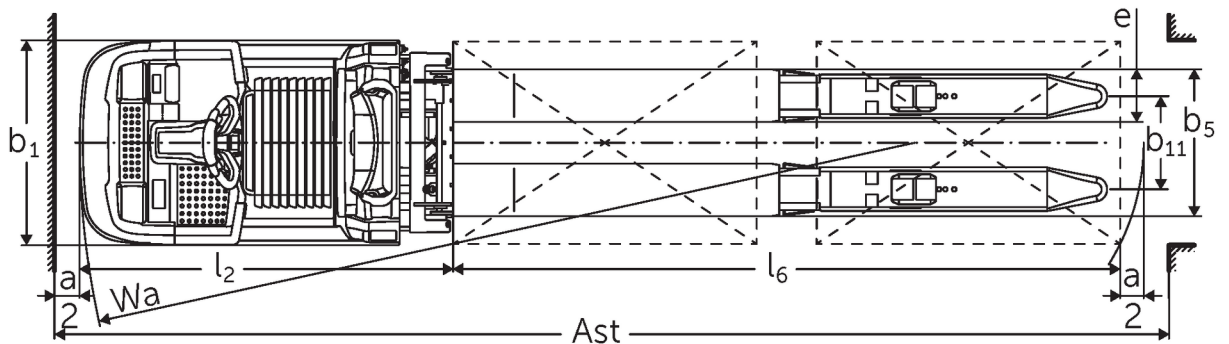
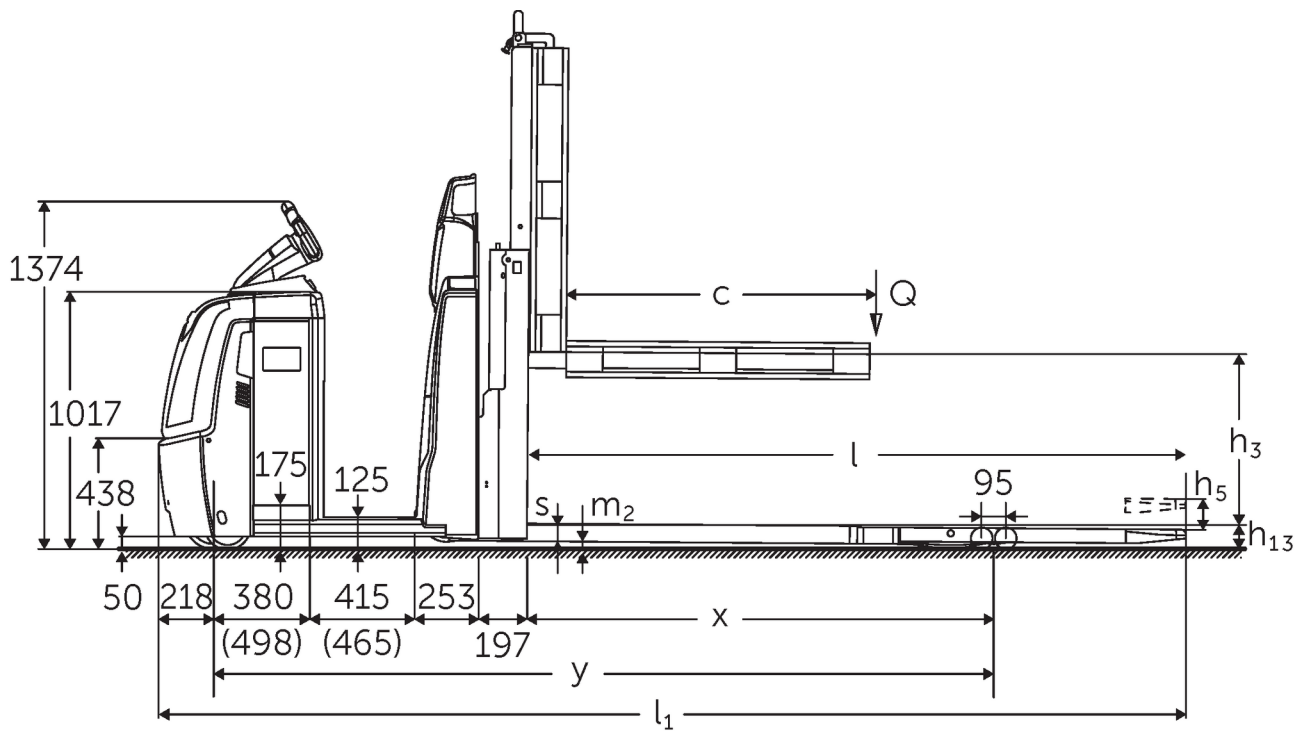


Low level order pickers with ergonomic lift

ECD 320

Lift height: 700-1500 mm / Load capacity: 2000 kg

ECD 320



ECD 320 NOC 2016 Techn

VDI table

Stand-on: 11/2024

Characteristic	1.1	Manufacturer (abbreviated description)			Jungheinrich
	1.2	Manufacturer's type designation			ECD 320
	1.3	Drive			Electric
	1.4	Operation			Order pickers
	1.5	Load capacity/load	Q	kg	2000
	1.6	Load centre distance	c	mm	1300
	1.8	Load distance, centre of drive axle to fork	x	mm	1718
	1.9	Wheelbase	y	mm	2981
	Weights	2.1.1	Service weight (incl. battery)		kg
2.2		Axle load laden front/rear		kg	1155 / 2080
2.3		Axle load unladen front/rear		kg	920 / 315
Wheels/suspension system	3.1	Tyres			Polyurethane (PU)
	3.2	Tyre size, front			Ø 230 x 78
	3.3	Tyre size, rear			Ø 85 x 85
	3.4	Additional wheels			Ø 180 x 65
	3.5	Wheels, number front/back (x=driven)			1+1x/4
	3.6	Tread width, front	b10	mm	481
	3.7	Tread width, rear	b11	mm	368
Basic dimensions	4.4	Lift (h3)	h3	mm	700
	4.9	Height of tiller handle in drive position min./max.	h14	mm	1374 / 1418
	4.15	Height, lowered	h13	mm	90
	4.19	total length	l1	mm	4081
	4.20	Length including fork shank	l2	mm	1480
	4.21.1	total width	b1	mm	810
	4.22	Fork dimensions	s/e/l	mm	65 x 172 x 2600
	4.25	Width across forks	b5	mm	540
	4.32	Ground clearance centre of wheelbase	m2	mm	25
	4.34.2	Aisle width (pallet 800x1200 length)	Ast	mm	4281
	4.35	Turning radius	Wa	mm	3199
Performance data	5.1	Travel speed laden/unladen (Efficiency drivePLUS)		km/h	9.2 / 12.5 9.2 / 14
	5.2	Lift speed laden/unladen		m/s	0.07 / 0.11
	5.3	Lowering speed laden/unladen		m/s	0.07 / 0.06
	5.8	Max. gradeability laden/unladen (Efficiency drivePLUS)		%	6 / 15 6 / 15
	5.10	Service brake			generative
E-motor/Electronics	6.1	Drive motor, performance S2 60 min (Efficiency drivePLUS)		kW	2.8 3.2
	6.2	Lift motor, performance with S3		kW	1.5
	6.4	Battery voltage/nominal capacity		V / Ah	24 / 465
	6.5	Battery weight		kg	370
	6.6.1	Energy consumption according to EN cycle		kWh/h	0.53
	6.6.2	CO2 equivalent as per EN 16796		kg/h	0.3
	6.7	Throughput		t/h	136
	6.8.1	Energy consumption with max. throughput		kWh/h	1.36
Other	8.1	Type of drive control			AC
	10.5	Steering version			electric
	10.7	Schalldruckpegel nach EN12053		dB (A)	62

- This data sheet according to VDI guideline 2198 only states the technical values of the standard truck. Different tyres, other masts, additional equipment etc. may result in different values.

Efficiency: Values of standard package | PLUS: Values of performance package

Values for L battery compartment; fork length 2,450 mm; lift 700 mm; raised load section.

- VDI no. 1.8: with lowered load section: $x + 82$ mm.

- VDI no. 1.9: with XL or XL (ERE) battery compartment: $y + 118$ mm; with extended stand-on platform: $y + 50$ mm; with lowered load section: $y + 82$ mm.

- VDI no. 4.19: with XL or XL (ERE) battery compartment: $l1 + 118$ mm; with extended stand-on platform: $l1 + 50$ mm.

- VDI no. 4.20: with XL or XL (ERE) battery compartment: $l2 + 118$ mm; with extended stand-on platform: $l2 + 50$ mm.

- VDI no. 4.34.2: with XL or XL (ERE) battery compartment: aisle width + 118 mm; with extended stand-on platform: aisle width + 50 mm; diagonal as per VDI: aisle width + 94 mm.


- VDI no. 4.35: with XL or XL (ERE) battery compartment: $Wa + 118$ mm; with extended stand-on platform: $Wa + 50$ mm; with lowered load section: $Wa + 82$ mm.

- VDI no. 6.2: with S3 10%.

- VDI no. 6.4: with XL battery compartment: 24 V / 620 Ah.

- VDI no. 6.5: with XL battery compartment: 460 kg.

The German production facilities in
Norderstedt, Moosburg and Landsberg
are certified as well as our Genuine Parts
Center in Kaltenkirchen. ISO 9001
ISO 14001

Jungheinrich fork lift trucks meet
European safety requirements. 

**JUNGHEINRICH**