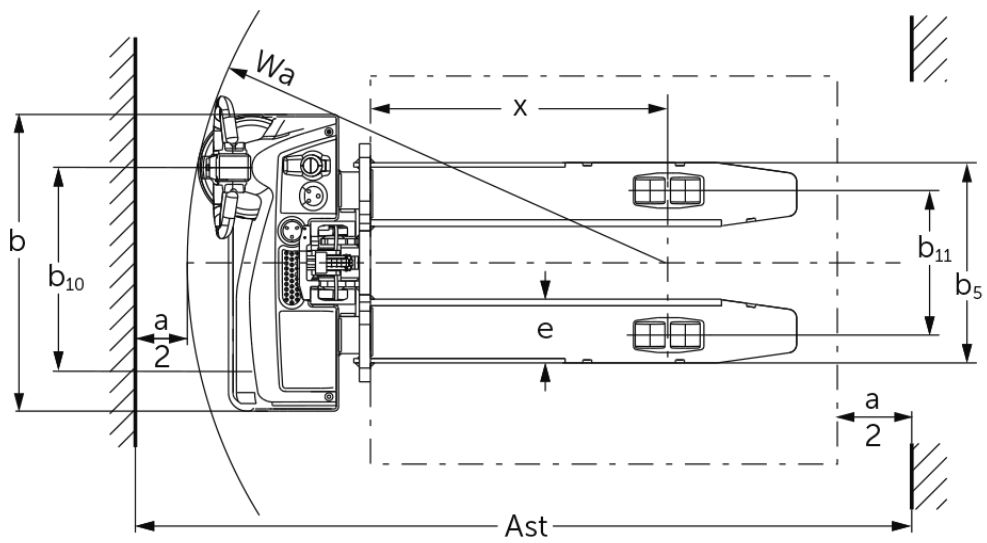




## **Electric pedestrian stacker** **EJC M10 E / M10b E**

Lift height: 1540-1900 mm / Load capacity: 1000 kg

# EJC M10 E / M10b E



# VDI table

Stand-on: 11/2024

Characteristic	Item	Description	Unit	Jungheinrich			
				EJC M10 E 1540	EJC M10 E 1900	EJC M10b E 1540	
Characteristic	1.1	Manufacturer (abbreviated description)		Jungheinrich			
	1.2	Manufacturer's type designation		EJC M10 E 1540	EJC M10 E 1900	EJC M10b E 1540	
	1.3	Drive		Electric			
	1.4	Operation		Pedestrian			
	1.5	Load capacity/load	Q	kg	1000		
	1.6	Load centre distance	c	mm	600		
	1.8	Load distance, centre of drive axle to fork	x	mm	803	783	
	1.9	Wheelbase	y	mm	1125	1154	
	Weights	2.1.1	Service weight (incl. battery)		kg	460	478
2.2		Axle load laden front/rear		kg	622 / 838	630 / 848	560 / 1042
2.3		Axle load unladen front/rear		kg	350 / 110	360 / 118	430 / 172
Wheels/suspension system	3.1	Tyres		TPU/PU		Polyurethane (PU)	
	3.2	Tyre size, front		Ø210x70			
	3.3	Tyre size, rear		Ø80x70	Ø80x98		
	3.4	Additional wheels		Ø100x50	Ø80x48		
	3.5	Wheels, number front/back (x=driven)		1x+1/4	1x+1/2		
	3.6	Tread width, front	b10	mm	550		
	3.7	Tread width, rear	b11	mm	390	1002	
Basic dimensions	4.2	Retracted mast height (h1)	h1	mm	1935	2295	1935
	4.3	Free lift (h2)	h2	mm	100		
	4.4	Lift (h3)	h3	mm	1540	1900	1540
	4.5	Extended mast height (h4)	h4	mm	1975	2335	2125
	4.9	Height of tiller handle in drive position min./max.	h14	mm	800 / 1240		
	4.15	Height, lowered	h13	mm	85		
	4.19	total length	l1	mm	1615	1664	
	4.20	Length including fork shank	l2	mm	465	514	
	4.21.1	total width	b1	mm	800		
	4.22	Fork dimensions	s/ e/l	mm	55 x 172 x 1150		40 x 100 x 1150
	4.25	Width across forks	b5	mm	540	545	
	4.26	Width between support arms/loading areas	b4	mm	-	882	
	4.32	Ground clearance centre of wheelbase	m2	mm	30	35	
	4.34.1	Aisle width (pallet 1000x1200 sideways)	Ast	mm	2127	2163	
	4.34.2	Aisle width (pallet 800x1200 length)	Ast	mm	2059	2100	
4.35	Turning radius	Wa	mm	1295	1325		
Performance data	5.1	Travel speed laden/unladen		km/h	5 / 5		
	5.2	Lift speed laden/unladen		m/s	0.12 / 0.22		
	5.3	Lowering speed laden/unladen		m/s	0.15 / 0.13		
	5.8	Max. gradeability laden/unladen		%	6 / 16		
	5.10	Service brake			electric		
E-motor/Electronics	6.1	Drive motor, performance S2 60 min		kW	1		
	6.2	Lift motor, performance with S3		kW	2.2		
	6.3	Battery according to DIN 43531/35/36			no		
	6.4	Battery voltage/nominal capacity		V / Ah	24 / 50		
	6.5	Battery weight		kg	15		
	6.6	Energy consumption according to VDI cycle		kWh/h	0.54		
	6.6.1	Energy consumption according to EN cycle		kWh/h	0.47		
6.6.2	CO2 equivalent as per EN 16796		kg/h	0.3			

Other	8.1	Type of drive control		BLDC brushless direct current
	10.7	Schalldruckpegel nach EN12053	dB (A)	63
<p>- This data sheet according to VDI guideline 2198 only states the technical values of the standard truck. Different tyres, other masts, additional equipment etc. may result in different values.</p>				

For EJC M10b:

- VDI no. 3.7: depending on the set tread width: b11 = 1,002 mm / 1,132 mm / 1,332 mm (sorted according to tread width).
- VDI no. 4.21.1: depending on the set tread width: b1 = 1,042 mm / 1,212 mm / 1,412 mm (listed according to tread width).
- VDI no. 4.25: grid in fork carrier: b5 = 316 mm / 484 mm / 545 mm / 621 mm / 663 mm / 706 mm.
- VDI no. 4.26: depending on the set tread width: b4 = 882 mm / 1,052 mm / 1,252 mm (sorted according to tread width).

The German production facilities in  
Norderstedt, Moosburg and Landsberg  
are certified as well as our Genuine Parts  
Center in Kaltenkirchen. ISO 9001  
ISO 14001

Jungheinrich fork lift trucks meet  
European safety requirements. 

**JUNGHEINRICH**