



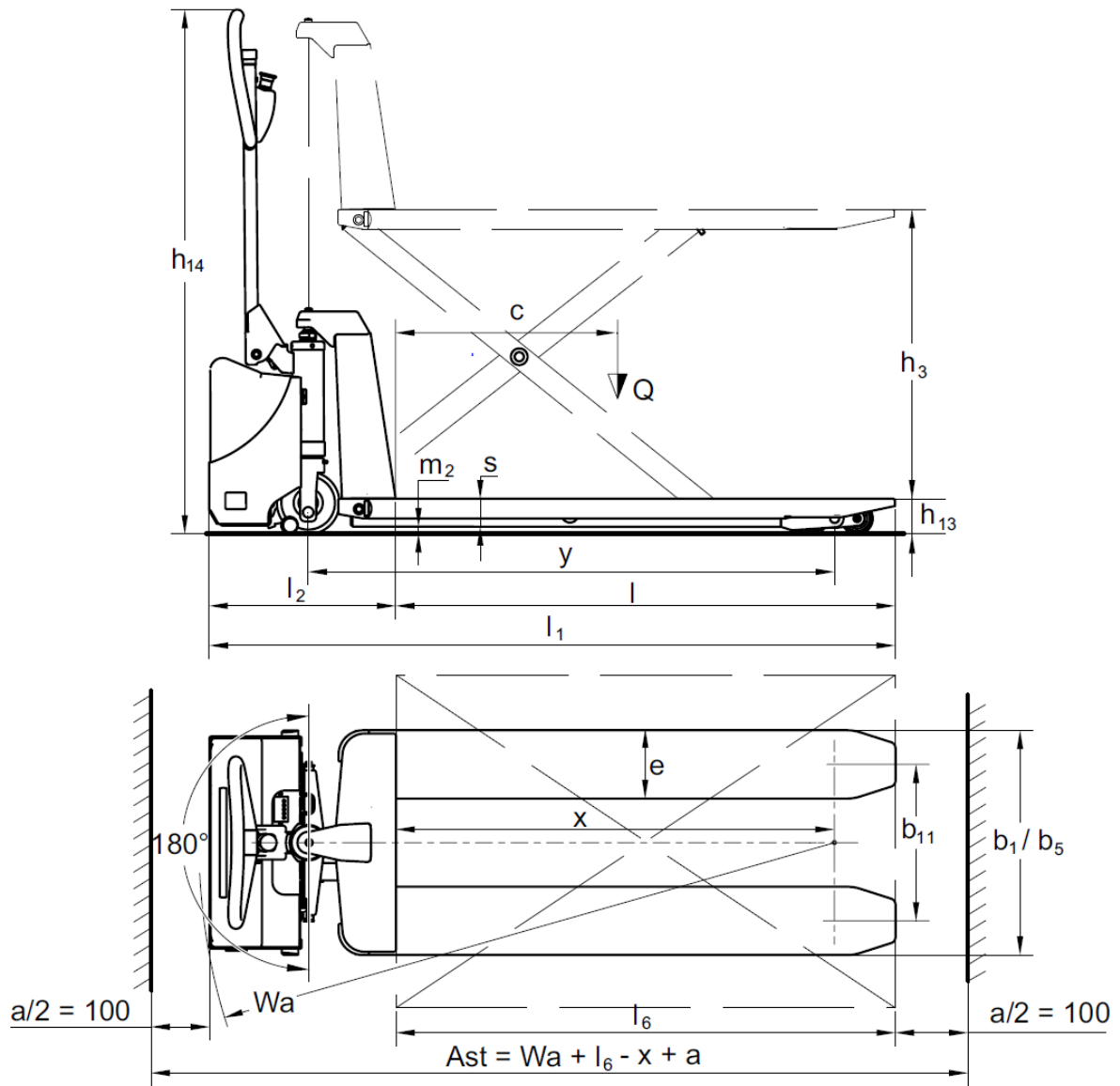
Hand pallet truck

AMX I15 / I15 e / I15 p / I15 ep

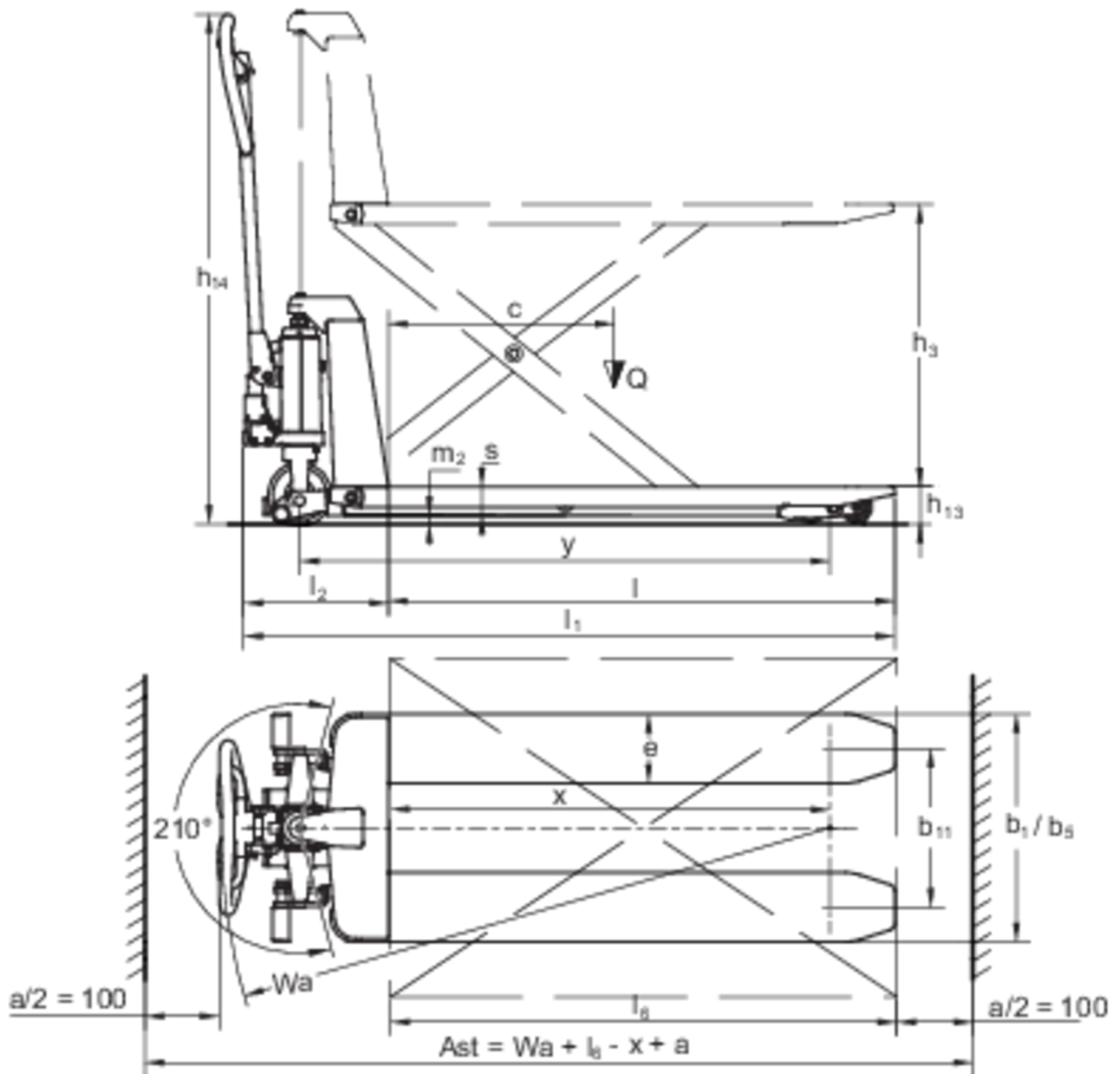
Lift height: 710 mm / Load capacity: 1500 kg

JUNGHEINRICH

AMX I15 / I15 e / I15 p / I15 ep



AMX I15 / I15 e / I15 p / I15 ep




VDI table

Stand-on: 11/2024

Characteristic	1.1	Manufacturer (abbreviated description)		Jungheinrich							
	1.2	Manufacturer's type designation		AMX I15 e/p/ep							
	1.3	Drive		Manual							
	1.4	Operation		Manual							
	1.5	Load capacity/load	Q kg	1500							
	1.6	Load centre distance	c mm	600							
	1.9	Wheelbase	y mm	1255							
Weights	2.1	tare weight	kg	132				125			
	2.2	Axle load laden front/rear	kg	753 / 357		753 / 387		720 / 358		750 / 358	
	2.3	Axle load unladen front/rear	kg	40 / 100				38 / 70			
Wheels/suspension system	3.1	Tyres		N-BN	V-BV	N-BN	V-BV	N-BN	V-BV	N-BN	V-BV
	3.2	Tyre size, front		Ø 150x45							
	3.3	Tyre size, rear		Ø 75x68							
	3.5	Wheels, number front/back (x=driven)		2/4							
	3.6	Tread width, front	b10 mm	145							
	3.7	Tread width, rear	b11 mm	440							
	Basic dimensions	4.4	Lift (h3)	h3 mm	710						
4.9		Height of tiller handle in drive position min./max.	h14 mm	1270				1230			
4.15		Height, lowered	h13 mm	85							
4.19		total length	l1 mm	1645				1580			
4.20		Length including fork shank	l2 mm	445				340			
4.21.1		total width	b1 mm	540							
4.22		Fork dimensions	s/ e/l mm	50 x 163 x 1200							
4.25		Width across forks	b5 mm	540							
4.32		Ground clearance centre of wheelbase	m2 mm	19							
4.34.1		Aisle width (pallet 1000x1200 sideways)	Ast mm	1690				1630			
4.34.2		Aisle width (pallet 800x1200 length)	Ast mm	1890				1830			
4.35		Turning radius	Wa mm	1540				1480			
Performance data	5.3	Lowering speed laden/unladen	m/s	0.07 / 0.05				0.15 / 0.09			
E-motor/ Electronics	6.4	Battery voltage/nominal capacity	V / Ah	12 / 65				-			
	6.5	Battery weight	kg	21				-			
<p>- This data sheet according to VDI guideline 2198 only states the technical values of the standard truck. Different tyres, other masts, additional equipment etc. may result in different values.</p>											

- VDI no. 1.5: From a lift height of 470 mm, the capacity is reduced to 1,000 kg.

The German production facilities in
Norderstedt, Moosburg and Landsberg
are certified as well as our Genuine Parts
Center in Kaltenkirchen. ISO 9001
ISO 14001

Jungheinrich fork lift trucks meet
European safety requirements. 

**JUNGHEINRICH**