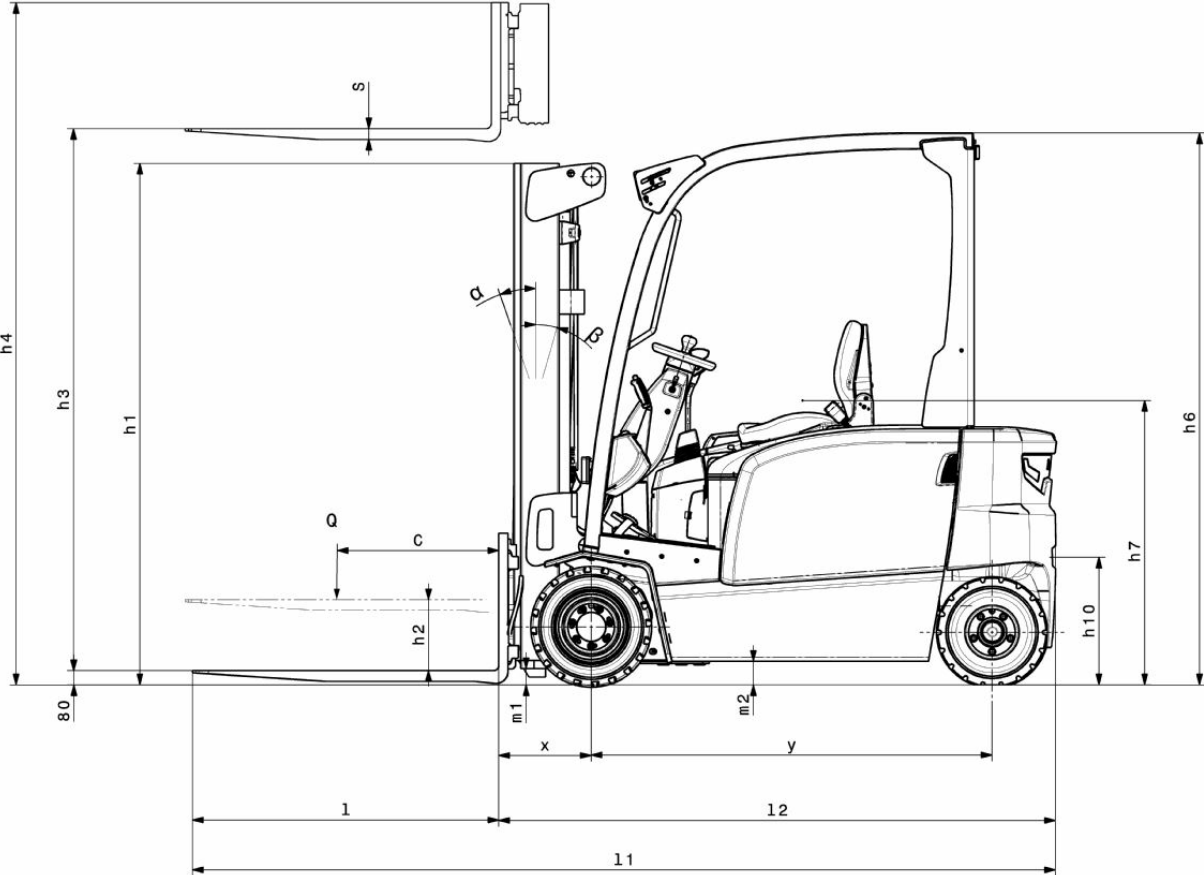




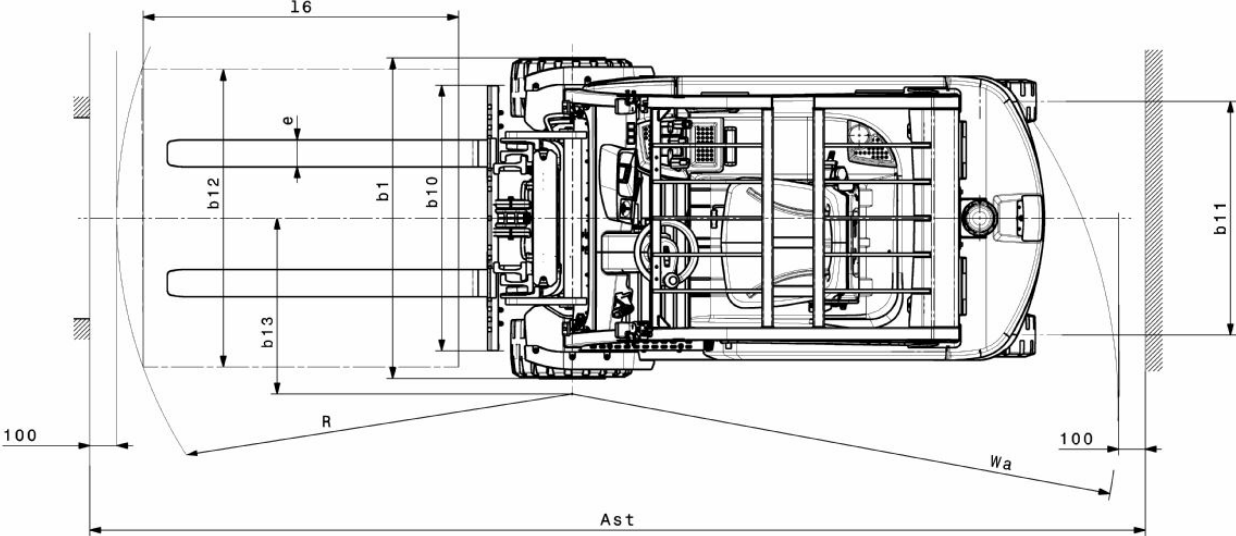
## **Elektrische vierwielvorkheftruck** **EFG BC 316-330**

Hefhoogte: 3000-6500 mm / Draagvermogen: 1600-3000 kg

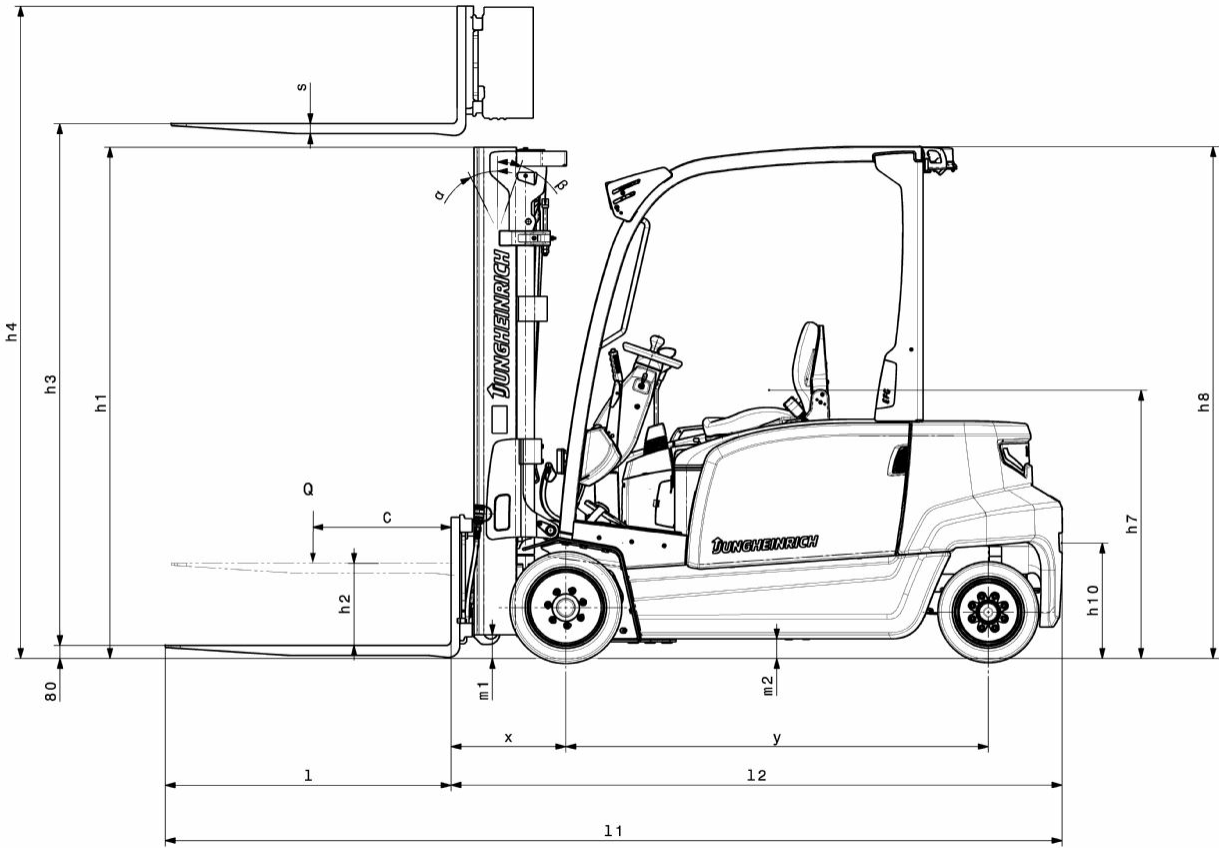
# EFG BC 316-330



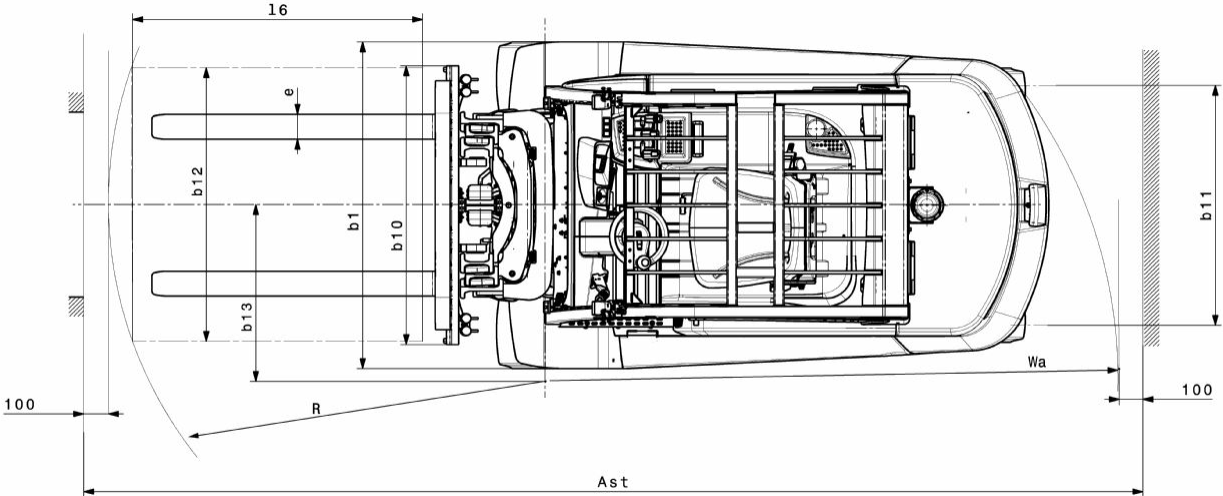
# EFG BC 316-330



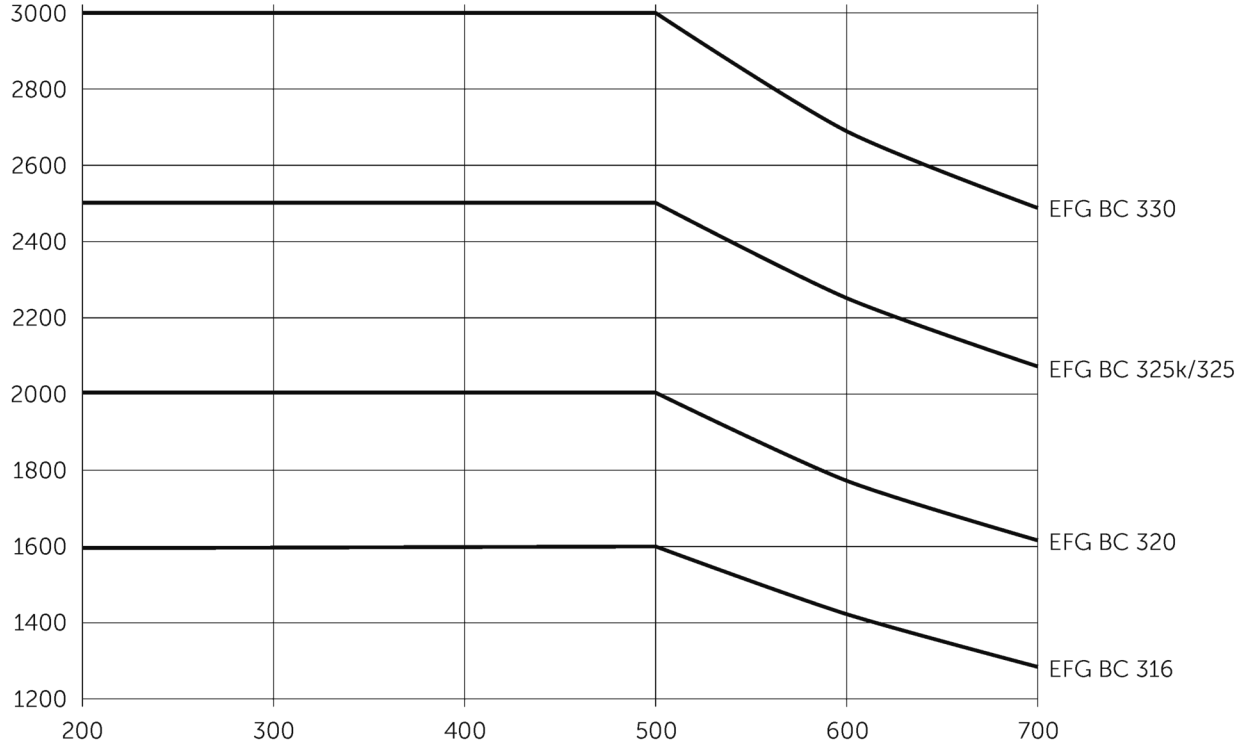
# EFG BC 316-330



# EFG BC 316-330



# EFG BC 316-330



# EFG BC 316-330

| EFG BC 316                         | Heffing (h3) | Hoogte hefmast ingeschoven (h1) | Vrije heffing (h2) | Hoogte hefmast uitgeschoven (h4) | Neiging mast voorover/achterover |
|------------------------------------|--------------|---------------------------------|--------------------|----------------------------------|----------------------------------|
| Drievoudige mast met vrije heffing | 4500 mm      | 2005 mm                         | 1360 mm            | 5055 mm                          | 7 / 5 °                          |
|                                    | 4800 mm      | 2105 mm                         | 1460 mm            | 5355 mm                          | 7 / 5 °                          |
|                                    | 5000 mm      | 2180 mm                         | 1530 mm            | 5555 mm                          | 7 / 5 °                          |
|                                    | 5500 mm      | 2355 mm                         | 1710 mm            | 6055 mm                          | 7 / 5 °                          |
|                                    | 6000 mm      | 2555 mm                         | 1910 mm            | 6555 mm                          | 7 / 5 °                          |
|                                    | 6500 mm      | 2805 mm                         | 2160 mm            | 7055 mm                          | 7 / 5 °                          |
| Tweevoudige mast met vrije heffing | 3300 mm      | 2105 mm                         | 1470 mm            | 3855 mm                          | 7 / 5 °                          |
|                                    | 3600 mm      | 2255 mm                         | 1620 mm            | 4155 mm                          | 7 / 5 °                          |
|                                    | 4000 mm      | 2455 mm                         | 1820 mm            | 4555 mm                          | 7 / 5 °                          |
| Tweevoudige Telescopische mast     | 3000 mm      | 2000 mm                         | 150 mm             | 3555 mm                          | 7 / 5 °                          |
|                                    | 3300 mm      | 2150 mm                         | 150 mm             | 3855 mm                          | 7 / 5 °                          |
|                                    | 3600 mm      | 2300 mm                         | 150 mm             | 4155 mm                          | 7 / 5 °                          |
|                                    | 4000 mm      | 2500 mm                         | 150 mm             | 4555 mm                          | 7 / 5 °                          |
|                                    | 4500 mm      | 2800 mm                         | 150 mm             | 5055 mm                          | 7 / 5 °                          |
|                                    | 5000 mm      | 3050 mm                         | 150 mm             | 5555 mm                          | 7 / 5 °                          |
| EFG BC 320                         | Heffing (h3) | Hoogte hefmast ingeschoven (h1) | Vrije heffing (h2) | Hoogte hefmast uitgeschoven (h4) | Neiging mast voorover/achterover |
| Drievoudige mast met vrije heffing | 4500 mm      | 2005 mm                         | 1360 mm            | 5135 mm                          | 7 / 5 °                          |
|                                    | 4800 mm      | 2105 mm                         | 1460 mm            | 5435 mm                          | 7 / 5 °                          |
|                                    | 5000 mm      | 2180 mm                         | 1530 mm            | 5635 mm                          | 7 / 5 °                          |
|                                    | 5500 mm      | 2355 mm                         | 1710 mm            | 6135 mm                          | 7 / 5 °                          |
|                                    | 6000 mm      | 2555 mm                         | 1910 mm            | 6635 mm                          | 7 / 5 °                          |
|                                    | 6500 mm      | 2805 mm                         | 2160 mm            | 7135 mm                          | 7 / 5 °                          |
| Tweevoudige mast met vrije heffing | 3300 mm      | 2105 mm                         | 1470 mm            | 3935 mm                          | 7 / 5 °                          |
|                                    | 3600 mm      | 2255 mm                         | 1620 mm            | 4235 mm                          | 7 / 5 °                          |
|                                    | 4000 mm      | 2455 mm                         | 1820 mm            | 4635 mm                          | 7 / 5 °                          |
| Tweevoudige Telescopische mast     | 3000 mm      | 2000 mm                         | 150 mm             | 3605 mm                          | 7 / 5 °                          |
|                                    | 3300 mm      | 2150 mm                         | 150 mm             | 3905 mm                          | 7 / 5 °                          |
|                                    | 3600 mm      | 2300 mm                         | 150 mm             | 4205 mm                          | 7 / 5 °                          |
|                                    | 4000 mm      | 2500 mm                         | 150 mm             | 4605 mm                          | 7 / 5 °                          |
|                                    | 4500 mm      | 2800 mm                         | 150 mm             | 5105 mm                          | 7 / 5 °                          |
|                                    | 5000 mm      | 3050 mm                         | 150 mm             | 5605 mm                          | 7 / 5 °                          |
| EFG BC 325k, EFG BC 325            | Heffing (h3) | Hoogte hefmast ingeschoven (h1) | Vrije heffing (h2) | Hoogte hefmast uitgeschoven (h4) | Neiging mast voorover/achterover |
| Drievoudige mast met vrije heffing | 4400 mm      | 2060 mm                         | 1500 mm            | 5000 mm                          | 7 / 5 °                          |
|                                    | 4700 mm      | 2160 mm                         | 1600 mm            | 5300 mm                          | 7 / 5 °                          |
|                                    | 5000 mm      | 2260 mm                         | 1700 mm            | 5600 mm                          | 7 / 5 °                          |
| Tweevoudige mast met vrije heffing | 3100 mm      | 2160 mm                         | 1600 mm            | 3700 mm                          | 7 / 5 °                          |
|                                    | 3300 mm      | 2260 mm                         | 1700 mm            | 3900 mm                          | 7 / 5 °                          |
|                                    | 3500 mm      | 2360 mm                         | 1800 mm            | 4100 mm                          | 7 / 5 °                          |
|                                    | 4000 mm      | 2610 mm                         | 2060 mm            | 4600 mm                          | 7 / 5 °                          |
| Tweevoudige Telescopische mast     | 3100 mm      | 2200 mm                         | 150 mm             | 3700 mm                          | 7 / 5 °                          |
|                                    | 3300 mm      | 2300 mm                         | 150 mm             | 3900 mm                          | 7 / 5 °                          |
|                                    | 3500 mm      | 2400 mm                         | 150 mm             | 4100 mm                          | 7 / 5 °                          |

|                                    |                     |  |                           |   |   |
|------------------------------------|---------------------|--|---------------------------|---|---|
|                                    | 3700 mm             | 2500 mm                                | 150 mm                    | 4300 mm                                 | 7 / 5 °                                 |
|                                    | 4000 mm             | 2650 mm                                | 150 mm                    | 4600 mm                                 | 7 / 5 °                                 |
|                                    | 4500 mm             | 2950 mm                                | 150 mm                    | 5100 mm                                 | 7 / 5 °                                 |
| <b>EFG BC 330</b>                  | <b>Heffing (h3)</b> | <b>Hoogte hefmast ingeschoven (h1)</b> | <b>Vrije heffing (h2)</b> | <b>Hoogte hefmast uitgeschoven (h4)</b> | <b>Neiging mast voorover/achterover</b> |
| Drievoudige mast met vrije heffing | 4400 mm             | 2060 mm                                | 1340 mm                   | 5150 mm                                 | 7 / 5 °                                 |
|                                    | 4700 mm             | 2160 mm                                | 1440 mm                   | 5450 mm                                 | 7 / 5 °                                 |
|                                    | 5000 mm             | 2260 mm                                | 1540 mm                   | 5750 mm                                 | 7 / 5 °                                 |
| Tweevoudige mast met vrije heffing | 3100 mm             | 2160 mm                                | 1440 mm                   | 3850 mm                                 | 7 / 5 °                                 |
|                                    | 3300 mm             | 2260 mm                                | 1540 mm                   | 4050 mm                                 | 7 / 5 °                                 |
|                                    | 3500 mm             | 2360 mm                                | 1640 mm                   | 4250 mm                                 | 7 / 5 °                                 |
|                                    | 4000 mm             | 2610 mm                                | 1900 mm                   | 4750 mm                                 | 7 / 5 °                                 |
| Tweevoudige Telescopische mast     | 3100 mm             | 2200 mm                                | 150 mm                    | 3850 mm                                 | 7 / 5 °                                 |
|                                    | 3300 mm             | 2300 mm                                | 150 mm                    | 4050 mm                                 | 7 / 5 °                                 |
|                                    | 3500 mm             | 2400 mm                                | 150 mm                    | 4250 mm                                 | 7 / 5 °                                 |
|                                    | 3700 mm             | 2500 mm                                | 150 mm                    | 4450 mm                                 | 7 / 5 °                                 |
|                                    | 4000 mm             | 2650 mm                                | 150 mm                    | 4750 mm                                 | 7 / 5 °                                 |
|                                    | 4500 mm             | 2950 mm                                | 150 mm                    | 5250 mm                                 | 7 / 5 °                                 |



# VDI-tabel

Stand: 11/2024

|                |                           |   |                                  | EFG BC 316          | EFG BC 320    | EFG BC 325k      | EFG BC 325  | EFG BC 330                   |                 |
|----------------|---------------------------|---|----------------------------------|---------------------|---------------|------------------|-------------|------------------------------|-----------------|
| Kenmerken      | 1.2                       | Typeaanduiding fabrikant                    |                                  |                     |               |                  |             |                              |                 |
|                | 1.3                       | Aandrijving                                 |                                  | Elektrisch          |               |                  |             |                              |                 |
|                | 1.4                       | Bediening                                   |                                  | Stoel               |               |                  |             |                              |                 |
|                | 1.5                       | Draagvermogen/last                          | Q kg                             | 1600                | 2000          | 2500             |             | 3000                         |                 |
|                | 1.6                       | Lastzwaartepuntafstand                      | c mm                             | 500                 |               |                  |             |                              |                 |
|                | 1.8                       | Lastafstand                                 | x mm                             | 352                 |               | 467              |             | 472                          |                 |
|                | 1.9                       | Wielbasis                                   | y mm                             | 1506                |               | 1453             | 1561        | 1700                         |                 |
| Gewichten      | 2.1.1                     | Eigen gewicht (incl. accu)                  | kg                               | 3230                | 3317          | 4351             | 4454        | 4742                         |                 |
|                | 2.2                       | Aslast met last voor/achter                 | kg                               | 4012 / 818          | 4738 / 579    | 6166 / 685       | 6259 / 695  | 6968 / 774                   |                 |
|                | 2.3                       | Aslast onbelast voor/achter                 | kg                               | 1514 / 1716         | 1606 / 1711   | 1833 / 2518      | 1960 / 2494 | 2225 / 2517                  |                 |
| Wielen/chassis | 3.1                       | Banden                                      |                                  | Superelastisch (SE) |               |                  |             |                              |                 |
|                | 3.2                       | Bandenmaat, voor                            |                                  | 18 x 7 - 8          | 200 / 50 - 10 | 18 x 9 - 12      |             | TANDEM, 18 x 5 & 6 - 12(1/8) |                 |
|                | 3.3                       | Bandenmaat, achter                          |                                  | 16 x 6 - 8          |               | 16 x 6 -10 (1/2) |             | 16 x 7 -10 (1/2)             |                 |
|                | 3.5                       | Wielen, aantal voor/achter (x=aangedreven)  |                                  | 2x / 2              |               |                  |             |                              |                 |
|                | 3.6                       | Spoorbreedte, voor                          | b10 mm                           | 904                 | 924           | 938              |             | 1013                         |                 |
|                | 3.7                       | Spoorbreedte, achter                        | b11 mm                           | 870                 |               | 864              |             | 995                          |                 |
|                | Afmetingen                | 4.1   | Neiging mast voorover/achterover | a/β °               | 7 / 5         |                  |             |                              |                 |
| 4.2            |                           | Hoogte hefmast ingeschoven (h1)             | h1 mm                            | 2000                |               | 2200             |             |                              |                 |
| 4.2.1          |                           | Totale hoogte                               | h15 mm                           | 2080                |               | 2200             |             |                              |                 |
| 4.3            |                           | Vrije heffing (h2)                          | h2 mm                            | 150                 |               |                  |             |                              |                 |
| 4.4            |                           | Heffing (h3)                                | h3 mm                            | 3000                |               | 3100             |             |                              |                 |
| 4.5            |                           | Hoogte hefmast uitgeschoven (h4)            | h4 mm                            | 3555                | 3605          | 3700             |             | 3850                         |                 |
| 4.7            |                           | Hoogte beschermend dak (cabine)             | h6 mm                            | 2080                |               |                  |             |                              |                 |
| 4.8            |                           | Zithoogte / stahoogte                       | h7 mm                            | 1030                |               |                  |             |                              |                 |
| 4.12           |                           | Koppelingshoogte                            | h10 mm                           | 475                 |               |                  |             |                              |                 |
| 4.19           |                           | Totale lengte                               | l1 mm                            | 3096                |               | 3213             | 3321        | 3469                         |                 |
| 4.20           |                           | Lengte inclusief vorkrug                    | l2 mm                            | 2096                |               | 2213             | 2321        | 2469                         |                 |
| 4.21.1         |                           | Totale breedte                              | b1 mm                            | 1060                | 1120          | 1170             |             | 1313                         |                 |
| 4.22           |                           | Vorkafmetingen                              | s/ e/l mm                        | 40 x 100 x 1000     |               |                  |             |                              | 45 x 125 x 1000 |
| 4.23           |                           | Vorkenbord aansluitklasse                   |                                  | 2A                  |               |                  |             |                              | 3A              |
| 4.24           |                           | Breedte vorkenbord                          | b3 mm                            | 980                 |               | 1120             |             |                              |                 |
| 4.31           |                           | Bodemvrijheid met last onder hefmast        | m1 mm                            | 97                  |               |                  |             |                              |                 |
| 4.32           |                           | Bodemvrijheid midden wielbasis              | m2 mm                            | 88                  |               |                  |             |                              |                 |
| 4.34.1         |                           | Werkbreedte (pallet 1000 x 1200 dwars)      | Ast mm                           | 3513                |               | 3608             | 3727        | 3897                         |                 |
| 4.34.2         |                           | Werkbreedte (pallet 800x1200 longitudinaal) | Ast mm                           | 3712                |               | 3807             | 3927        | 4097                         |                 |
| 4.35           |                           | Draaicirkel                                 | Wa mm                            | 1960                |               | 1980             | 2100        | 2270                         |                 |
| 4.36           | Kleinste draaipuntafstand | b13 mm                                      | 562                              |                     | 542           | 600              | 667         |                              |                 |
| Prestaties     | 5.1                       | Rijsnelheid met/zonder belasting            | km/u                             | 15 / 15             |               | 17 / 18          |             |                              |                 |
|                | 5.2                       | Hefsnelheid met/zonder belasting            | m/s                              | 0,43 / 0,53         | 0,34 / 0,44   | 0,4 / 0,5        |             | 0,3 / 0,32                   |                 |
|                | 5.3                       | Daalsnelheid met/zonder belasting           | m/s                              | 0,51 / 0,55         |               |                  |             |                              |                 |
|                | 5.5                       | Trekkracht met belasting                    | N                                | 1300                | 1600          | 2400             |             | 2300                         |                 |
|                | 5.6                       | Max. trekkracht met/zonder belasting        | N                                | 9000 / 9400         | 9200 / 10500  | 14000 / 8700     |             | 13800 / 14600                |                 |
|                | 5.7                       | Hellingsgraad met/zonder belasting          | %                                | 6,5 / 14            | 5 / 11        | 9 / 13           |             | 8 / 12                       |                 |

|  |       |  |        |                        |         |          |           |
|--|-------|--|--------|------------------------|---------|----------|-----------|
|  | 5.8   | Max. hellingsgraad met/zonder belasting        | %      | 13,5 / 16              | 11 / 15 | 16 / 22  | 15 / 22   |
|  | 5.9   | Acceleratietijd met/zonder belasting (op 10 m) | s      | 5,5 / 5                | 6 / 5,2 | 5,6 / 5  | 5,7 / 5,2 |
|  | 5.10  | Rem  |        | mechanisch/hydraulisch |         |          |           |
| E-motor/elektronica  | 6.1   | Tractiemotor, vermogen S2 60 min               | kW     | 3,7                    |         | 4,6      |           |
|  | 6.1.1 | 2. Rijmotor, vermogen S2 60 min                | kW     | 3,7                    |         | 4,6      |           |
|  | 6.2   | Hefmotor, vermogen op S3 (ED) 15%              | kW     | 10                     |         | 15,5     |           |
|  | 6.3   | Accu volgens DIN 43531/35/36                   |        | DIN 43531 A            |         |          |           |
|  | 6.4   | Accuspanning/nominaal vermogen                 | V / Ah | 48 / 625               |         | 48 / 750 |           |
|  | 6.5   | Accugewicht                                    | kg     | 856                    |         | 1013     |           |
|  | 6.6.1 | Energieverbruik volgens EN-cyclus              | kWh/u  | 4,25                   | 4,8     | 5,77     | 6,88      |
|  | 6.6.2 | CO2-equivalent volgens EN16796                 | kg/h   | 2,3                    | 2,6     | 3,1      | 3,7       |
|  | 6.7   | Verwerkingscapaciteit                          | t/h    | 113                    | 136     | 172      | 196       |
|  | 6.8.1 | Energieverbruik bij max. verwerkingscapaciteit | kWh/u  | 5,13                   | 5,88    | 8,84     | 7,71      |
| Overig   | 8.1   | Type rijregeling                               |        | Impuls/AC              |         |          |           |
|  | 10.1  | Werkdruk voor aanbouwapparaat                  | bar    | 230                    |         |          |           |
|  | 10.2  | Oliestroom voor aanbouwapparatuur              | l/min  | 24                     |         | 41       |           |
|  | 10.7  | Schalldruckpegel nach EN12053                  | dB (A) | 74                     |         | 78       |           |
|  | 10.8  | Trekhaak, type / type DIN                      |        | Losse insteekbout      |         |          |           |
| - Dit typeblad conform VDI-richtlijn 2198 vermeldt alleen de technische waarden van het standaardapparaat. Afwijkende banden, andere hefmasten, extra inrichtingen etc. kunnen resulteren in andere waarden. |       |  |        |                        |         |          |           |

**Jungheinrich NV**  
Researchpark Haasrode 1105  
Esperantolaan 1  
3001 Leuven (Heverlee)  
Tel. 016 39 87 11

[info@Jungheinrich.be](mailto:info@Jungheinrich.be)  
[www.Jungheinrich.be](http://www.Jungheinrich.be)

De Duitse productie-eenheden in  
Norderstedt, Moosburg en Landsberg en  
het onderdelencentrum in Kaltenkirchen  
zijn gecertificeerd. ISO 9001  
ISO 14001

Jungheinrich intern transport materieel  
voldoet aan de Europese  
veiligheidsvoorschriften.



 **JUNGHEINRICH**