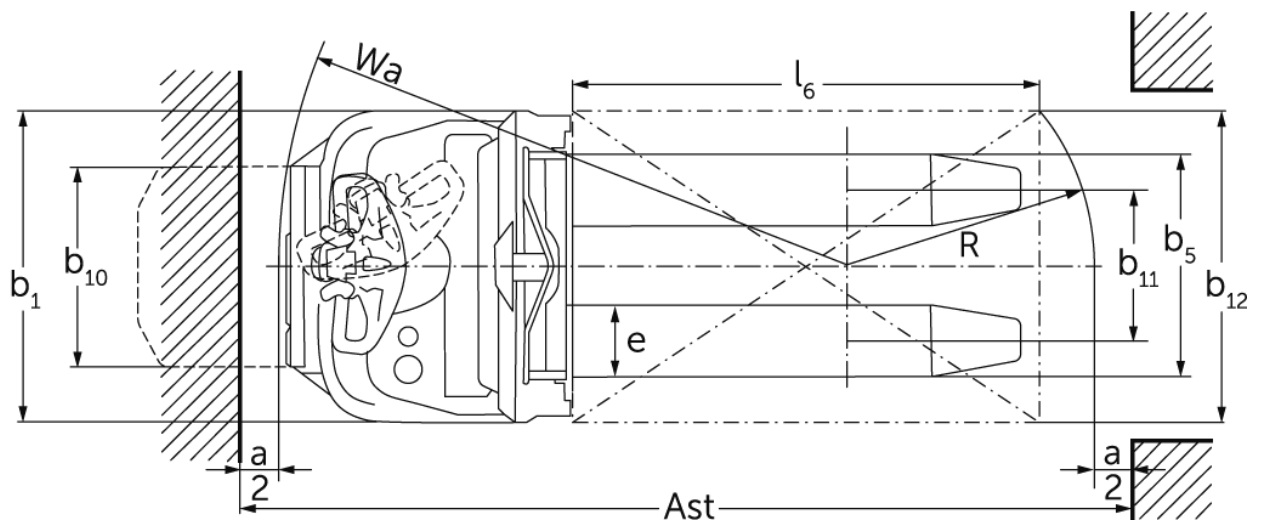
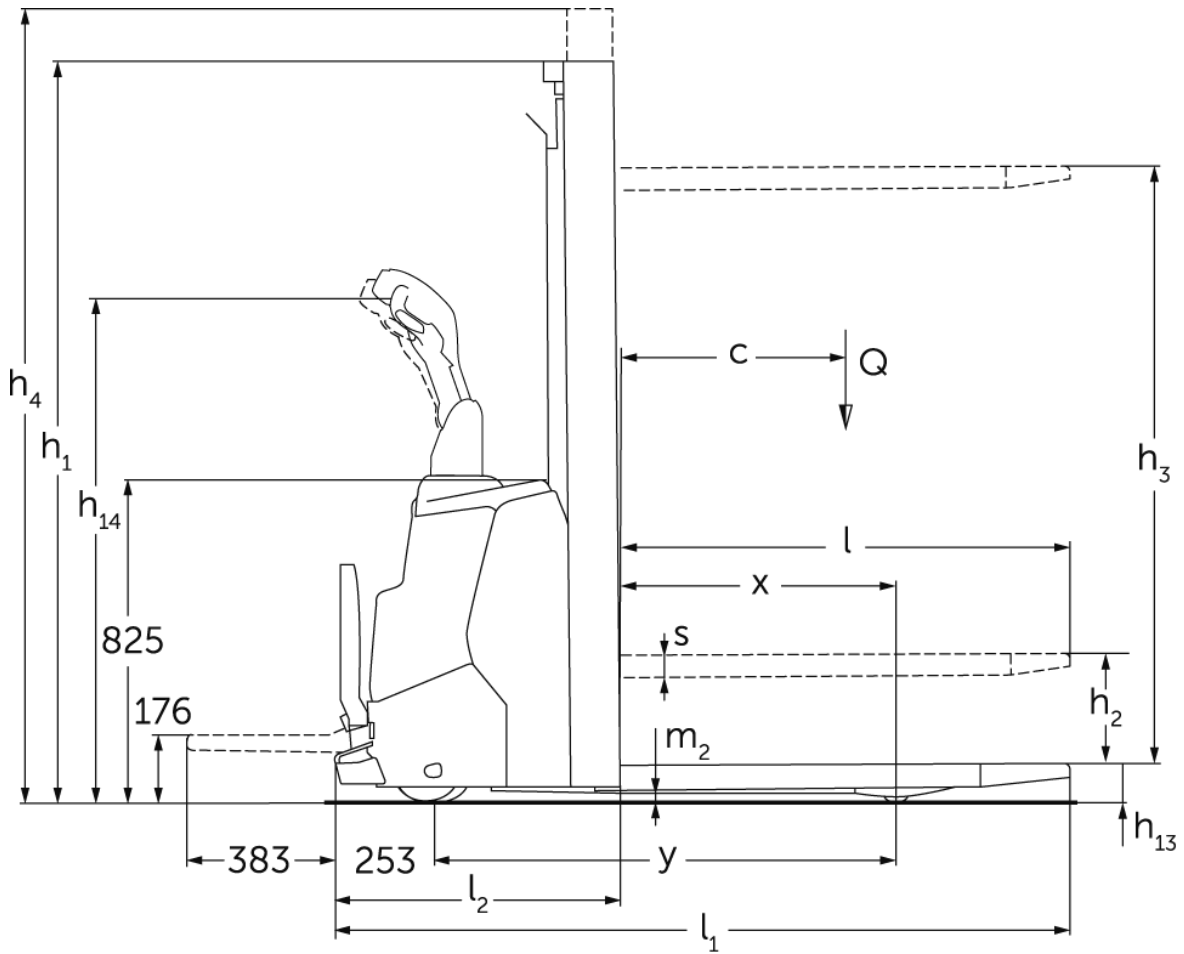




## **Electric pedestrian stacker** **ERC 110i / 112i**

Lift height: 2300-4700 mm / Load capacity: 1000-1200 kg

# ERC 110i / 112i



# ERC 110i / 112i

| ERC 112i        | Lift (h3)      | Retracted mast height (h1) | Free lift (h2) | Extended mast height (h4) |
|-----------------|----------------|----------------------------|----------------|---------------------------|
| Duplex mast ZT  | <b>2300 mm</b> | <b>1650 mm</b>             | <b>100 mm</b>  | <b>2775 mm</b>            |
|                 | 2500 mm        | 1750 mm                    | 100 mm         | 2975 mm                   |
|                 | 2700 mm        | 1850 mm                    | 100 mm         | 3175 mm                   |
|                 | 2900 mm        | 1950 mm                    | 100 mm         | 3375 mm                   |
|                 | 3200 mm        | 2100 mm                    | 100 mm         | 3675 mm                   |
|                 | 3600 mm        | 2300 mm                    | 100 mm         | 4075 mm                   |
|                 | 3900 mm        | 2450 mm                    | 100 mm         | 4375 mm                   |
|                 | 4100 mm        | 2550 mm                    | 100 mm         | 4575 mm                   |
|                 | 4300 mm        | 2650 mm                    | 100 mm         | 4775 mm                   |
| Duplex mast ZZ  | <b>2300 mm</b> | <b>1600 mm</b>             | <b>1125 mm</b> | <b>2775 mm</b>            |
|                 | 2500 mm        | 1700 mm                    | 1225 mm        | 2975 mm                   |
|                 | 2900 mm        | 1900 mm                    | 1425 mm        | 3375 mm                   |
|                 | 3200 mm        | 2050 mm                    | 1575 mm        | 3675 mm                   |
|                 | 3600 mm        | 2250 mm                    | 1775 mm        | 4075 mm                   |
|                 | 3900 mm        | 2400 mm                    | 1925 mm        | 4375 mm                   |
| Triplex mast DZ | <b>4090 mm</b> | <b>1845 mm</b>             | <b>1338 mm</b> | <b>4597 mm</b>            |
|                 | 4300 mm        | 1915 mm                    | 1408 mm        | 4807 mm                   |
|                 | 4700 mm        | 2050 mm                    | 1564 mm        | 5213 mm                   |

# VDI table

Stand-on: 11/2024

|                          |                |   |                                |                        |
|--------------------------|----------------|---|--------------------------------|------------------------|
| Characteristic           | 1.1            | Manufacturer (abbreviated description)              |                                | Jungheinrich           |
|                          | 1.2            | Manufacturer's type designation                     |                                | <b>ERC 1i</b>          |
|                          | 1.3            | Drive   |                                | Electric               |
|                          | 1.4            | Operation   |                                | Pedestrian             |
|                          | 1.5            | Load capacity/load                                  | Q kg                           | 1200                   |
|                          | 1.6            | Load centre distance                                | c mm                           | 600                    |
|                          | 1.8            | Load distance, centre of drive axle to fork         | x mm                           | 707                    |
|                          | 1.9            | Wheelbase   | y mm                           | 1191                   |
|                          | Weights        | 2.1.1   | Service weight (incl. battery) | kg                     |
| 2.2                      |                | Axle load laden front/rear                          | kg                             | 620 / 1320             |
| 2.3                      |                | Axle load unladen front/rear                        | kg                             | 520 / 220              |
| Wheels/suspension system | 3.1            | Tyres   |                                | Polyurethane (PU)      |
|                          | 3.2            | Tyre size, front                                    |                                | Ø 230 x 70             |
|                          | 3.3            | Tyre size, rear                                     |                                | Ø 75 x 105 / Ø 75 x 80 |
|                          | 3.4            | Additional wheels                                   |                                | Ø 140 x 54             |
|                          | 3.5            | Wheels, number front/back (x=driven)                |                                | 1x +1/2                |
|                          | 3.6            | Tread width, front                                  | b10 mm                         | 507                    |
|                          | 3.7            | Tread width, rear                                   | b11 mm                         | 405                    |
| Basic dimensions         | 4.2            | Retracted mast height (h1)                          | h1 mm                          | 1950                   |
|                          | 4.3            | Free lift (h2)                                      | h2 mm                          | 100                    |
|                          | 4.4            | Lift (h3)   | h3 mm                          | 2900                   |
|                          | 4.5            | Extended mast height (h4)                           | h4 mm                          | 3375                   |
|                          | 4.8            | Seat height/stand height                            | h7 mm                          | 176                    |
|                          | 4.9            | Height of tiller handle in drive position min./max. | h14 mm                         | 1037 / 1293            |
|                          | 4.15           | Height, lowered                                     | h13 mm                         | 90                     |
|                          | 4.19           | total length  | l1 mm                          | 1887                   |
|                          | 4.20           | Length including fork shank                         | l2 mm                          | 737                    |
|                          | 4.21.1         | total width   | b1 mm                          | 800                    |
|                          | 4.22           | Fork dimensions                                     | s/e/l mm                       | 60 x 178 x 1150        |
|                          | 4.25           | Width across forks                                  | b5 mm                          | 570                    |
|                          | 4.32           | Ground clearance centre of wheelbase                | m2 mm                          | 30                     |
|                          | 4.34.1         | Aisle width (pallet 1000x1200 sideways)             | Ast mm                         | 2106                   |
|                          | 4.34.2         | Aisle width (pallet 800x1200 length)                | Ast mm                         | 2156                   |
| 4.35                     | Turning radius | Wa mm   | 1463                           |                        |
| Performance data         | 5.1            | Travel speed laden/unladen                          | km/h                           | 6 / 6                  |
|                          | 5.2            | Lift speed laden/unladen                            | m/s                            | 0.17 / 0.33            |
|                          | 5.3            | Lowering speed laden/unladen                        | m/s                            | 0.45 / 0.37            |
|                          | 5.8            | Max. gradeability laden/unladen                     | %                              | 6 / 14                 |
|                          | 5.10           | Service brake                                       |                                | generative             |
| E-motor/Electronics      | 6.1            | Drive motor, performance S2 60 min                  | kW                             | 0.9                    |
|                          | 6.2            | Lift motor, performance with S3                     | kW                             | 2.8                    |
|                          | 6.3            | Battery according to DIN 43531/35/36                |                                | no                     |
|                          | 6.4            | Battery voltage/nominal capacity                    | V / Ah                         | 24 / 105               |
|                          | 6.5            | Battery weight                                      | kg                             | 45                     |
|                          | 6.6.1          | Energy consumption according to EN cycle            | kWh/h                          | 0.83                   |
|                          | 6.6.2          | CO2 equivalent as per EN 16796                      | kg/h                           | 0.4                    |
| 6.7                      | Throughput     | t/h   | 45                             |                        |

|   |       |   |        |      |
|---|-------|---|--------|------|
|   | 6.8.1 | Energy consumption with max. throughput | kWh/h  | 1.18 |
| Other   | 8.1   | Type of drive control                   |        | AC   |
|   | 10.7  | Schalldruckpegel nach EN12053           | dB (A) | 64.6 |
| - This data sheet according to VDI guideline 2198 only states the technical values of the standard truck. Different tyres, other masts, additional equipment etc. may result in different values. |       |   |        |      |

The values in the table apply for the S battery compartment, ZT2900 mast, battery 105 Ah.

- VDI no. 1.8: with DZ mast: x - 40 mm
- VDI no. 4.19: with DZ mast: l1 + 40 mm. Bottom platform: + 383 mm.
- VDI no. 4.20: with DZ mast: l2 + 40 mm. Bottom platform: + 383 mm.
- VDI no. 4.34.1: diagonal as per VDI: aisle width + 225 mm; with DZ mast: aisle width + 40 mm.
- VDI no. 4.34.2: diagonal as per VDI: aisle width + 142 mm; with DZ mast: aisle width + 40 mm.
- VDI no. 4.35: Bottom platform: + 364 mm.
- VDI no. 6.2: ERC 110i: S3 5%; ERC 112i: S3 13%.

The German production facilities in  
Norderstedt, Moosburg and Landsberg  
are certified as well as our Genuine Parts  
Center in Kaltenkirchen. ISO 9001  
ISO 14001

Jungheinrich fork lift trucks meet  
European safety requirements. 

**JUNGHEINRICH**