

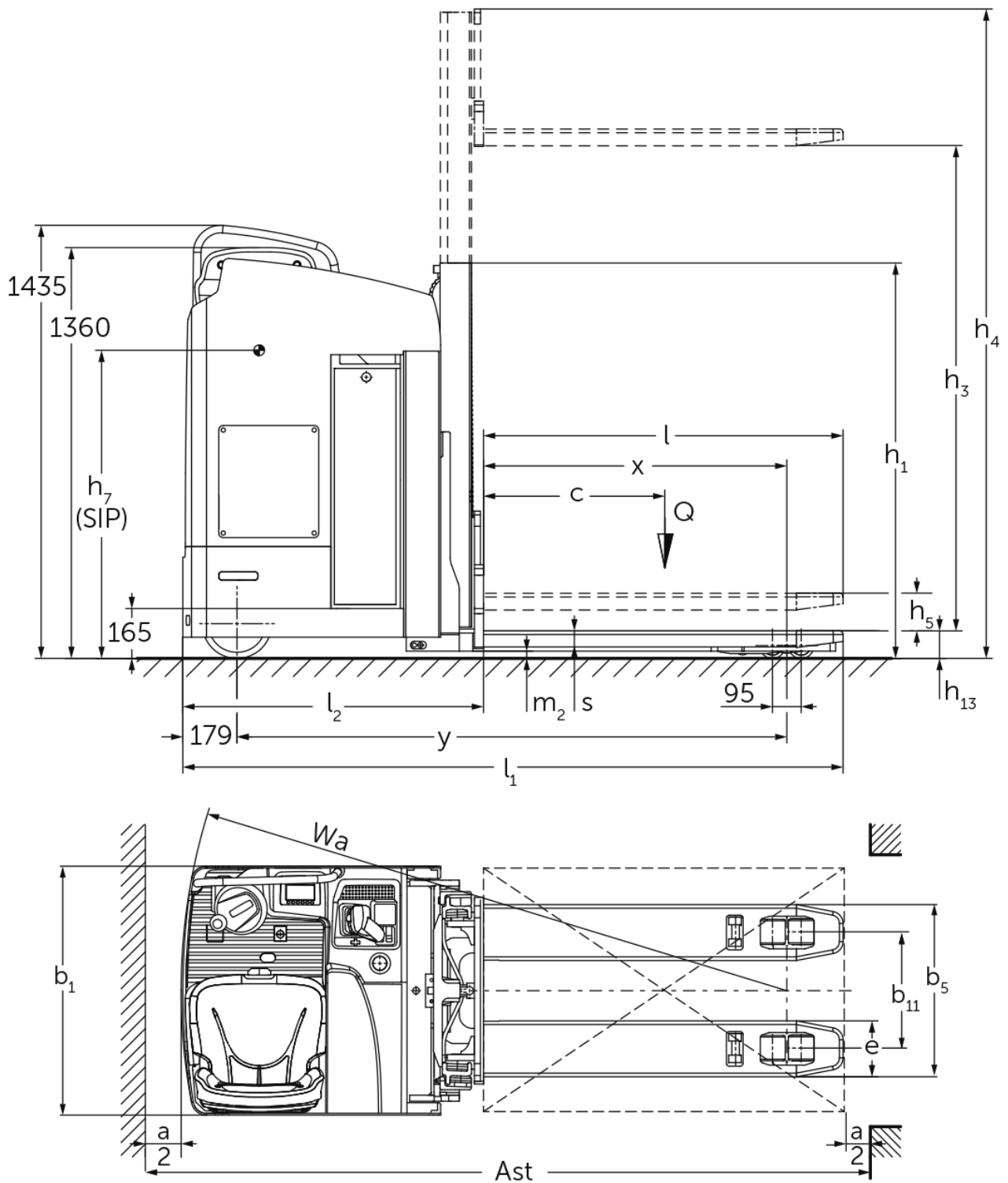


# Electric stand-on and sideways-seated stacker

## ESD 220

Lift height: 1660 mm / Load capacity: 2000 kg

# ESD 220



# ESD 220

ESD 220	Lift (h3)	Retracted mast height (h1)	Free lift (h2)	Extended mast height (h4)
Duplex mast ZT	1660 mm	1310 mm	100 mm	2150 mm

# VDI table

Stand-on: 12/2024

Characteristic	1.1	Manufacturer (abbreviated description)		Jungheinrich
	1.2	Manufacturer's type designation		<b>ESD 220</b>
	1.3	Drive		Electric
	1.4	Operation		Seat
	1.5	Load capacity/load	Q kg	2000
	1.5.1	Rated capacity/load with mast lift	Q kg	1000
	1.5.2	Rated capacity/load with support arm lift	Q kg	2000
	1.6	Load centre distance	c mm	600
	1.8	Load distance, centre of drive axle to fork	x mm	1004
1.9	Wheelbase	y mm	1820	
Weights	2.1.1	Service weight (incl. battery)	kg	1350
	2.2	Axle load laden front/rear	kg	1340 / 2010
	2.3	Axle load unladen front/rear	kg	982 / 368
Wheels/suspension system	3.1	Tyres		Polyurethane (PU)
	3.2	Tyre size, front		Ø 230 x 77
	3.3	Tyre size, rear		Ø 85 x 85
	3.4	Additional wheels		Ø 140 x 54
	3.5	Wheels, number front/back (x=driven)		2 + 1x / 4
	3.6	Tread width, front	b10 mm	544
	3.7	Tread width, rear	b11 mm	380
Basic dimensions	4.2	Retracted mast height (h1)	h1 mm	1310
	4.3	Free lift (h2)	h2 mm	100
	4.4	Lift (h3)	h3 mm	1660
	4.5	Extended mast height (h4)	h4 mm	2150
	4.6	Initial lift	h5 mm	110
	4.8	Seat height/stand height	h7 mm	1020
	4.15	Height, lowered	h13 mm	90
	4.19	Overall length	l1 mm	2185
	4.20	Length including fork shank	l2 mm	995
	4.21.1	Overall width	b1 mm	820
	4.22	Fork dimensions	s/e/l mm	65 x 185 x 1190
	4.25	Width across forks	b5 mm	570
	4.32	Ground clearance centre of wheelbase	m2 mm	25
	4.34.2	Aisle width (pallet 800x1200 length)	Ast mm	2399
4.35	Turning radius	Wa mm	2003	
Performance data	5.1	Travel speed laden/unladen	km/h	9.1 / 9.1
	5.2	Lift speed laden/unladen	m/s	0.2 / 0.39
	5.3	Lowering speed laden/unladen	m/s	0.47 / 0.47
	5.8	Max. gradeability laden/unladen	%	8 / 14
	5.10	Service brake		generative
E-motor/Electronics	6.1	Drive motor, performance S2 60 min	kW	2.8
	6.2	Lift motor, performance with S3	kW	3
	6.3	Battery according to DIN 43531/35/36		no
	6.4	Battery voltage/nominal capacity	V / Ah	24 / 465
	6.5	Battery weight	kg	380
	6.6	Energy consumption according to VDI cycle	kWh/h	0
	6.6.1	Energy consumption according to EN cycle	kWh/h	0.61

	6.6.2	CO2 equivalent as per EN 16796	kg/h	0.3
Other	8.1	Type of drive control		AC
- This data sheet according to VDI guideline 2198 only states the technical values of the standard truck. Different tyres, other masts, additional equipment etc. may result in different values.				


The values in the table apply for mast ZT 1660, lowered support arm lift.

VDI no. 1.8: raised support arm lift: x - 78 mm.

VDI no. 1.9: raised support arm lift: y - 78 mm.

VDI no. 4.35: raised support arm lift: Wa - 78 mm.

The German production facilities in  
Norderstedt, Moosburg and Landsberg  
are certified as well as our Genuine Parts  
Center in Kaltenkirchen. ISO 9001  
ISO 14001

Jungheinrich fork lift trucks meet  
European safety requirements. 

 **JUNGHEINRICH**