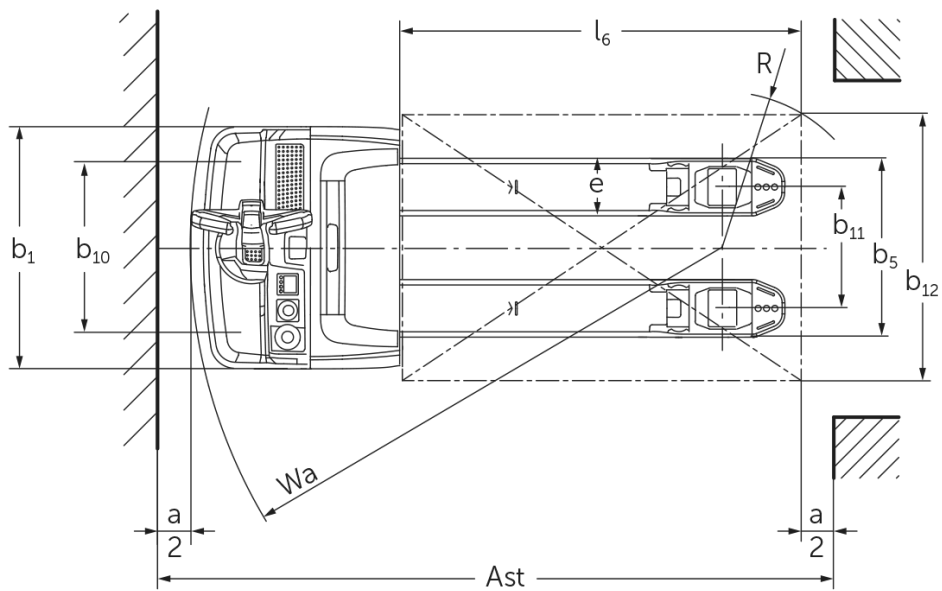
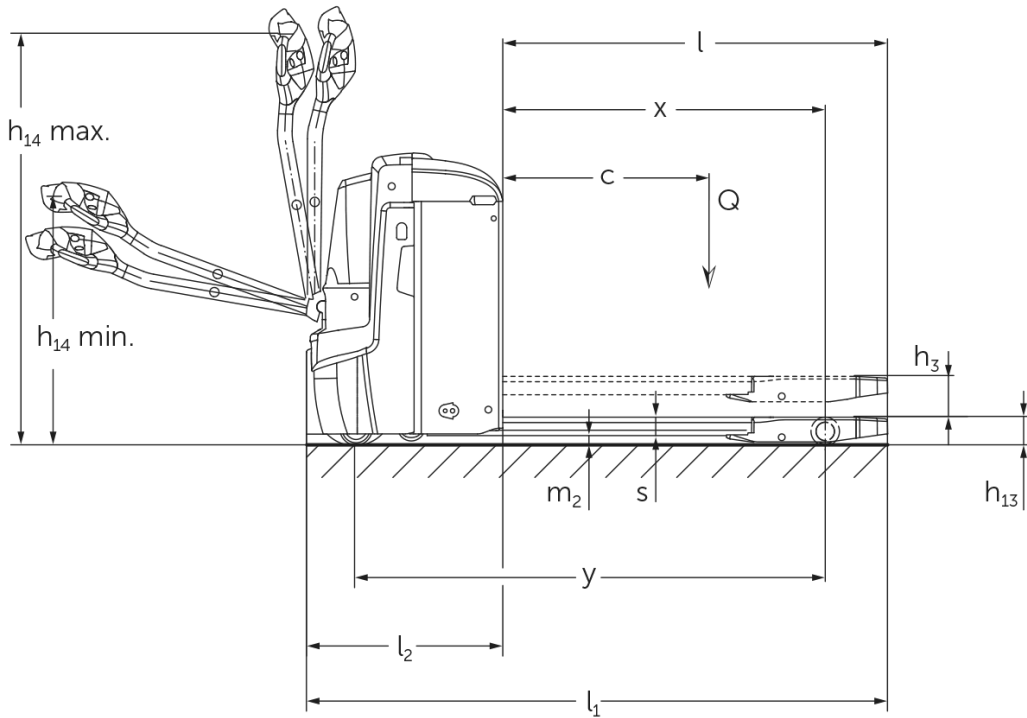




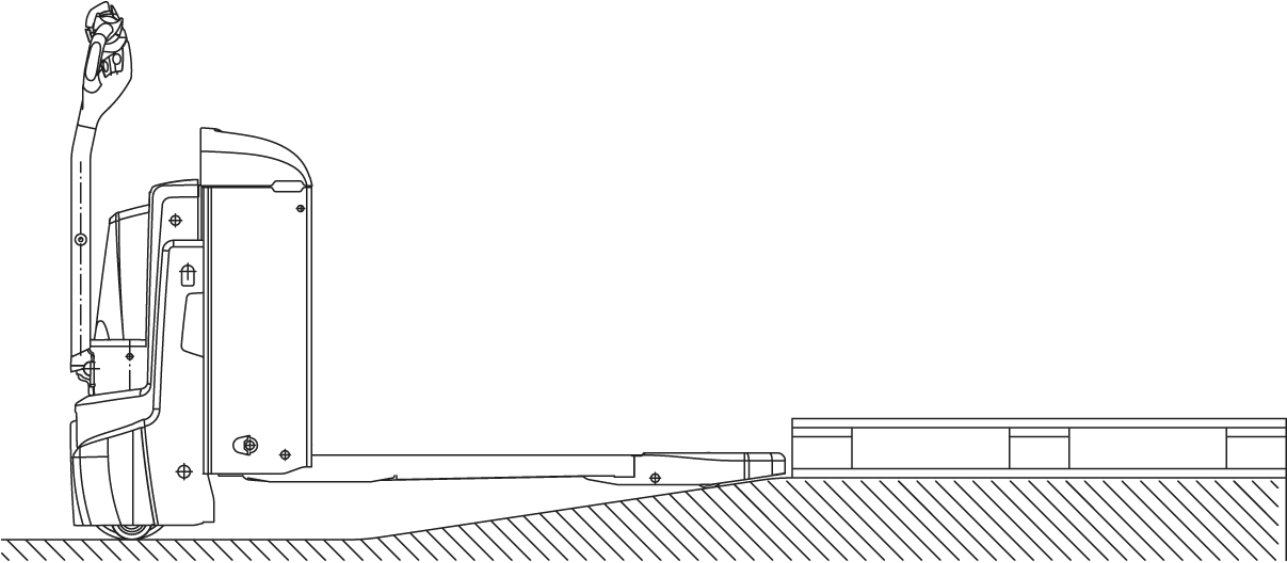
Electric pedestrian pallet truck **EJE 222r / 225r**

Lift height: 122 mm / Load capacity: 2200-2500 kg

EJE 222r / 225r



EJE 222r / 225r



VDI table

Stand-on: 12/2024

				Jungheinrich		
Characteristic	1.1	Manufacturer (abbreviated description)				
	1.2	Manufacturer's type designation		EJE 222r	EJE 225r	
	1.3	Drive		Electric		
	1.4	Operation		Pedestrian		
	1.5	Load capacity/load	Q	kg	2200	2500
	1.6	Load centre distance	c	mm	600	
	1.8	Load distance, centre of drive axle to fork	x	mm	908	
	1.9	Wheelbase	y	mm	1351	
	Weights	2.1.1	Service weight (incl. battery)		kg	560
2.2		Axle load laden front/rear		kg	889 / 1885	980 / 2087
2.3		Axle load unladen front/rear		kg	418 / 142	
Wheels/suspension system	3.1	Tyres			Polyurethane (PU)	
	3.2	Tyre size, front			Ø 230 x 70	
	3.3	Tyre size, rear			Ø 85 x 110	
	3.4	Additional wheels			Ø 100 x 40	
	3.5	Wheels, number front/back (x=driven)			1x +2 / 2	
	3.6	Tread width, front	b10	mm	510	
	3.7	Tread width, rear	b11	mm	363	
Basic dimensions	4.4	Lift (h3)	h3	mm	122	
	4.9	Height of tiller handle in drive position min./max.	h14	mm	750 / 1237	
	4.15	Height, lowered	h13	mm	85	
	4.19	Overall length	l1	mm	1737	
	4.20	Length including fork shank	l2	mm	587	
	4.21.1	Overall width	b1	mm	724	
	4.22	Fork dimensions	s/e/l	mm	55 x 172 x 1150	
	4.25	Width across forks	b5	mm	535	
	4.32	Ground clearance centre of wheelbase	m2	mm	30	
	4.34.1	Aisle width (pallet 1000x1200 sideways)	Ast	mm	2338	
	4.34.2	Aisle width (pallet 800x1200 length)	Ast	mm	2227	
4.35	Turning radius	Wa	mm	1532		
Performance data	5.1	Travel speed laden/unladen		km/h	6 / 6	
	5.2	Lift speed laden/unladen		m/s	0.05 / 0.07	
	5.3	Lowering speed laden/unladen		m/s	0.05 / 0.04	
	5.8	Max. gradeability laden/unladen		%	8 / 20	
	5.10	Service brake			generative	
E-motor/Electronics	6.1	Drive motor, performance S2 60 min		kW	1.7	
	6.2	Lift motor, performance with S3		kW	2.2	
	6.4	Battery voltage/nominal capacity		V / Ah	24 / 250	
	6.5	Battery weight		kg	220	
	6.6.1	Energy consumption according to EN cycle		kWh/h	0.35	0.37
	6.6.2	CO2 equivalent as per EN 16796		kg/h	0.2	
	6.7	Throughput		t/h	123	148
	6.8.1	Energy consumption with max. throughput		kWh/h	0.77	0.82
Other	8.1	Type of drive control			AC	
	10.7	Sound level as per EN12053, operator's ear		dB (A)	70	


- This data sheet according to VDI guideline 2198 only states the technical values of the standard truck. Different tyres, other masts, additional equipment etc. may result in different values.

- VDI no. 1.8: 1.9: 4.35: lowered load section: + 56 mm

- VDI no. 4.34: lowered load section: + 25 mm

- VDI no. 1.9: 4.19: 4.19.1: 4.20: 4.33: 4.34: 4.35: with lateral battery exchange: M - L / M LBE + 72 mm; L - L LBE + 53 mm

The German production facilities in
Norderstedt, Moosburg and Landsberg
are certified as well as our Genuine Parts
Center in Kaltenkirchen. ISO 9001
ISO 14001

Jungheinrich fork lift trucks meet
European safety requirements. 

 **JUNGHEINRICH**