



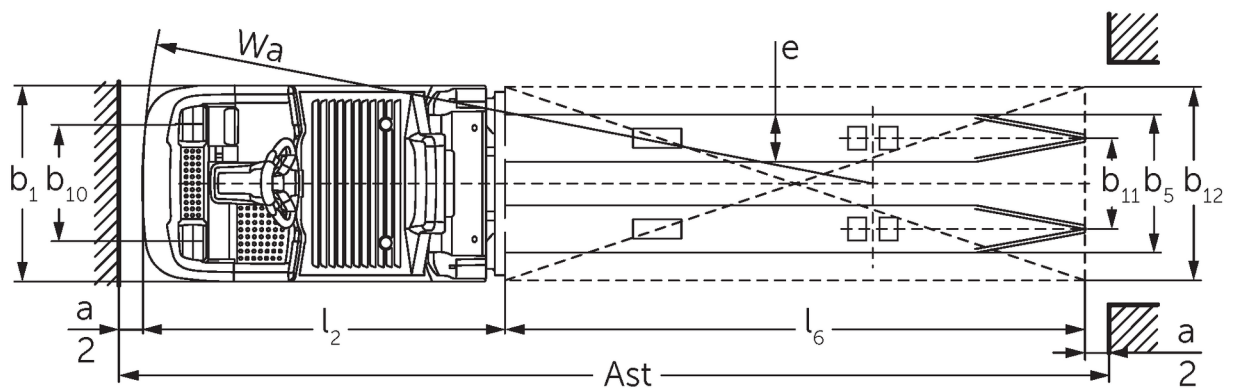
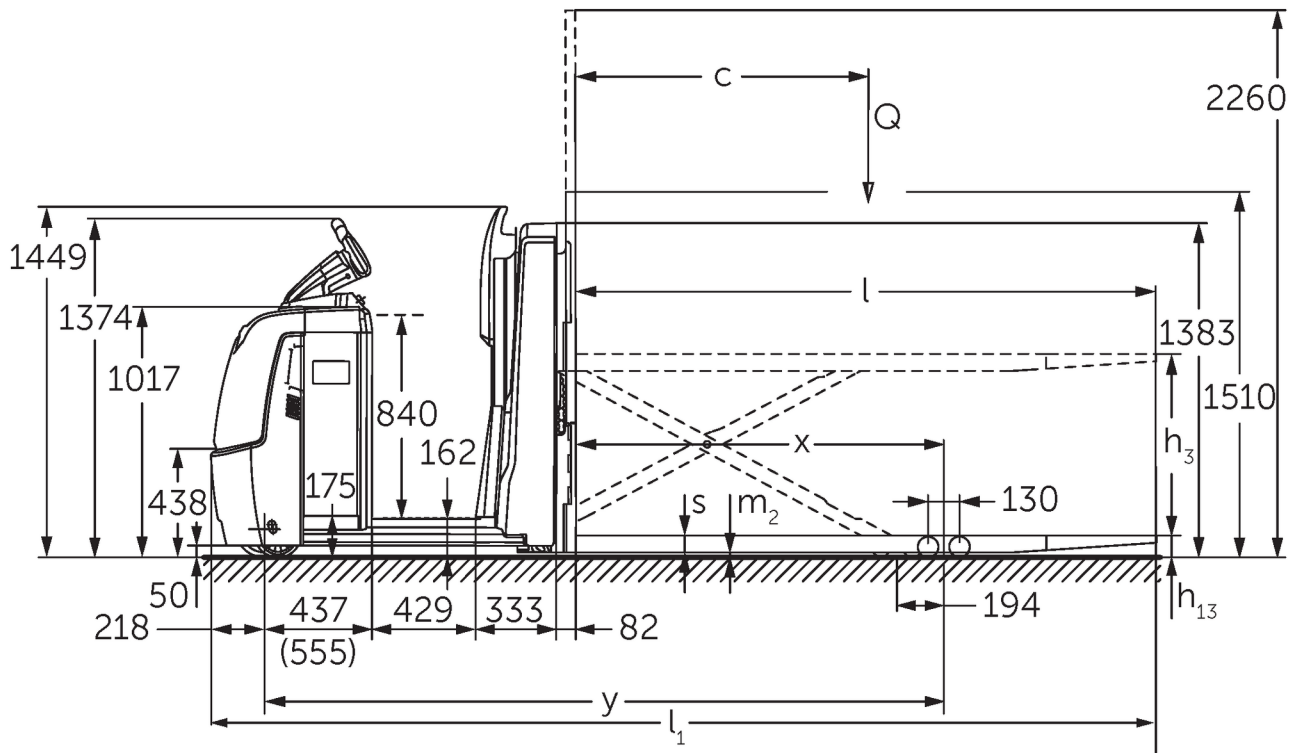
Low level order pickers **ECE 320**

Lift height: 750 mm / Load capacity: 2000 kg

ECE 320



ECE 320



VDI table

Stand-on: 12/2024

Characteristic	1.1	Manufacturer (abbreviated description)		Jungheinrich	
	1.2	Manufacturer's type designation		ECE 320	ECE 320 HP
	1.3	Drive		Electric	
	1.4	Operation		Order pickers	
	1.5	Load capacity/load	Q kg	2000	
	1.6	Load centre distance	c mm	1200	
	1.8	Load distance, centre of drive axle to fork	x mm	1522	
	1.9	Wheelbase	y mm	2652	2803
	Weights	2.1.1	Service weight (incl. battery)	kg	1300
2.2		Axle load laden front/rear	kg	1120 / 2180	1240 / 2250
2.3		Axle load unladen front/rear	kg	900 / 400	1020 / 470
Wheels/suspension system	3.1	Tyres		Polyurethane (PU)	
	3.2	Tyre size, front		Ø 230 x 78	
	3.3	Tyre size, rear		Ø 85 x 85	
	3.4	Additional wheels		Ø 180 x 65	
	3.5	Wheels, number front/back (x=driven)		1+1x/4	
	3.6	Tread width, front	b10 mm	481	
	3.7	Tread width, rear	b11 mm	345	
	3.7.1	2. Tread width, rear	mm	375	
Basic dimensions	4.4	Lift (h3)	h3 mm	750	
	4.9	Height of tiller handle in drive position min./max.	h14 mm	1374 / 1418	
	4.14	Stand height, elevated	h12 mm	-	1002
	4.15	Height, lowered	h13 mm	90	
	4.19	Overall length	l1 mm	3747	3897
	4.20	Length including fork shank	l2 mm	1347	1497
	4.21.1	Overall width	b1 mm	810	
	4.22	Fork dimensions	s/e/ l mm	70 x 195 x 2400	
	4.25	Width across forks	b5 mm	540	
	4.32	Ground clearance centre of wheelbase	m2 mm	20	
	4.34.2	Aisle width (pallet 800x1200 length)	Ast mm	3947	4097
	4.35	Turning radius	Wa mm	2869	3019
	Performance data	5.1	Travel speed laden/unladen (Efficiency drivePLUS)	km/h	9.5 / 12.5 9.5 / 14
5.2		Lift speed laden/unladen	m/s	0.09 / 0.16	
5.3		Lowering speed laden/unladen	m/s	0.11 / 0.11	
5.8		Max. gradeability laden/unladen (Efficiency drivePLUS)	%	6 / 15 6 / 15	
5.10		Service brake		generative	
E-motor/Electronics	6.1	Drive motor, performance S2 60 min (Efficiency drivePLUS)	kW	2.8 3.2	
	6.2	Lift motor, performance with S3	kW	1.5	
	6.4	Battery voltage/nominal capacity	V / Ah	24 / 465	
	6.5	Battery weight	kg	370	
	6.6.1	Energy consumption according to EN cycle (Efficiency PLUS)	kWh/h	0.6 0.63	
	6.6.2	CO2 equivalent as per EN 16796 (Efficiency PLUS)	kg/h	0.3 0.3	
	6.7	Throughput (Efficiency PLUS)	t/h	102 104	100 102
	6.8.1	Energy consumption with max. throughput (Efficiency PLUS)	kWh/h	1.52 1.72	1.53 1.72
Other	8.1	Type of drive control		AC	

10.5	Steering version		electric
10.7	Sound level as per EN12053, operator's ear	dB (A)	62
<p>- This data sheet according to VDI guideline 2198 only states the technical values of the standard truck. Different tyres, other masts, additional equipment etc. may result in different values.</p>			

Efficiency: Values of standard package | PLUS: Values of performance package

Values for L battery compartment; standard stand-on platform and fork length 2,400 mm; lowered load section.

- VDI no. 1.8: with raised load section: x - 194 mm.

- VDI no. 1.9: with XL or XL (ERE) battery compartment: y + 118 mm; with extended stand-on platform: y + 50 mm; with lowered load section: y - 194 mm.

- VDI no. 4.14: ECE HP: h12 see diagram, dimension 840 mm + 162 mm = 1,002 mm.

- VDI no. 4.19: with XL or XL (ERE) battery compartment: l1 + 118 mm; with extended stand-on platform: l1 + 50 mm.

- VDI no. 4.20: with XL or XL (ERE) battery compartment: l2 + 118 mm; with extended stand-on platform: l2 + 50 mm.

- VDI no. 4.34.2: with XL or XL (ERE) battery compartment: aisle width + 118 mm; with extended stand-on platform: aisle width + 50 mm; diagonal as per VDI: aisle width + 94 mm.


- VDI no. 4.35: with XL or XL (ERE) battery compartment: Wa + 118 mm; with extended stand-on platform option: Wa + 50 mm; with raised load section: y - 194 mm.

- VDI no. 6.2: with S3 10%.

- VDI no. 6.4: with XL battery compartment: 24 V / 620 Ah.

- VDI no. 6.5: with XL battery compartment: 460 kg.

The German production facilities in
Norderstedt, Moosburg and Landsberg
are certified as well as our Genuine Parts
Center in Kaltenkirchen. ISO 9001
ISO 14001

Jungheinrich fork lift trucks meet
European safety requirements. 

 **JUNGHEINRICH**