

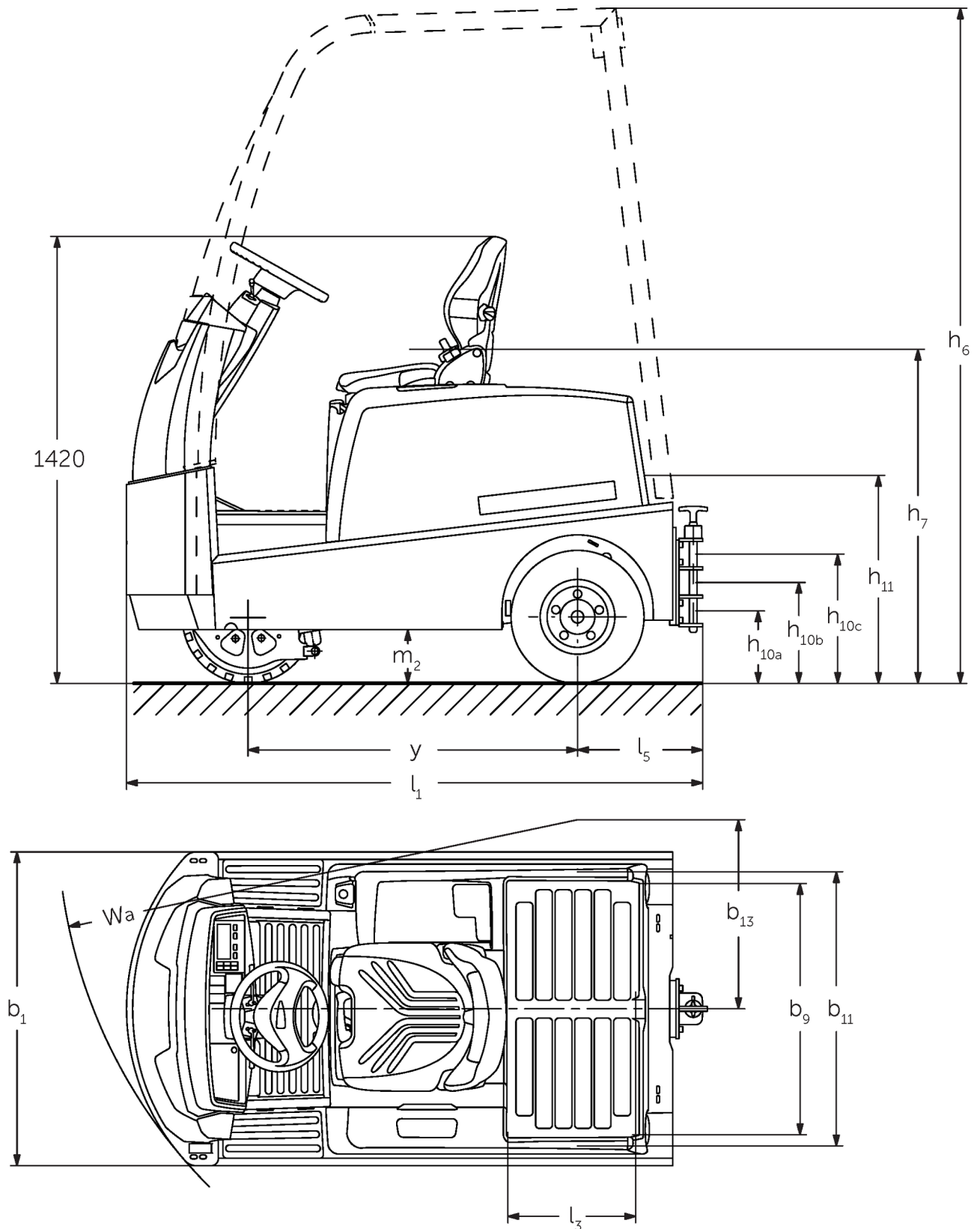
**LION**  
technology



## **Electric tow tractor** **EZS 570-5100**

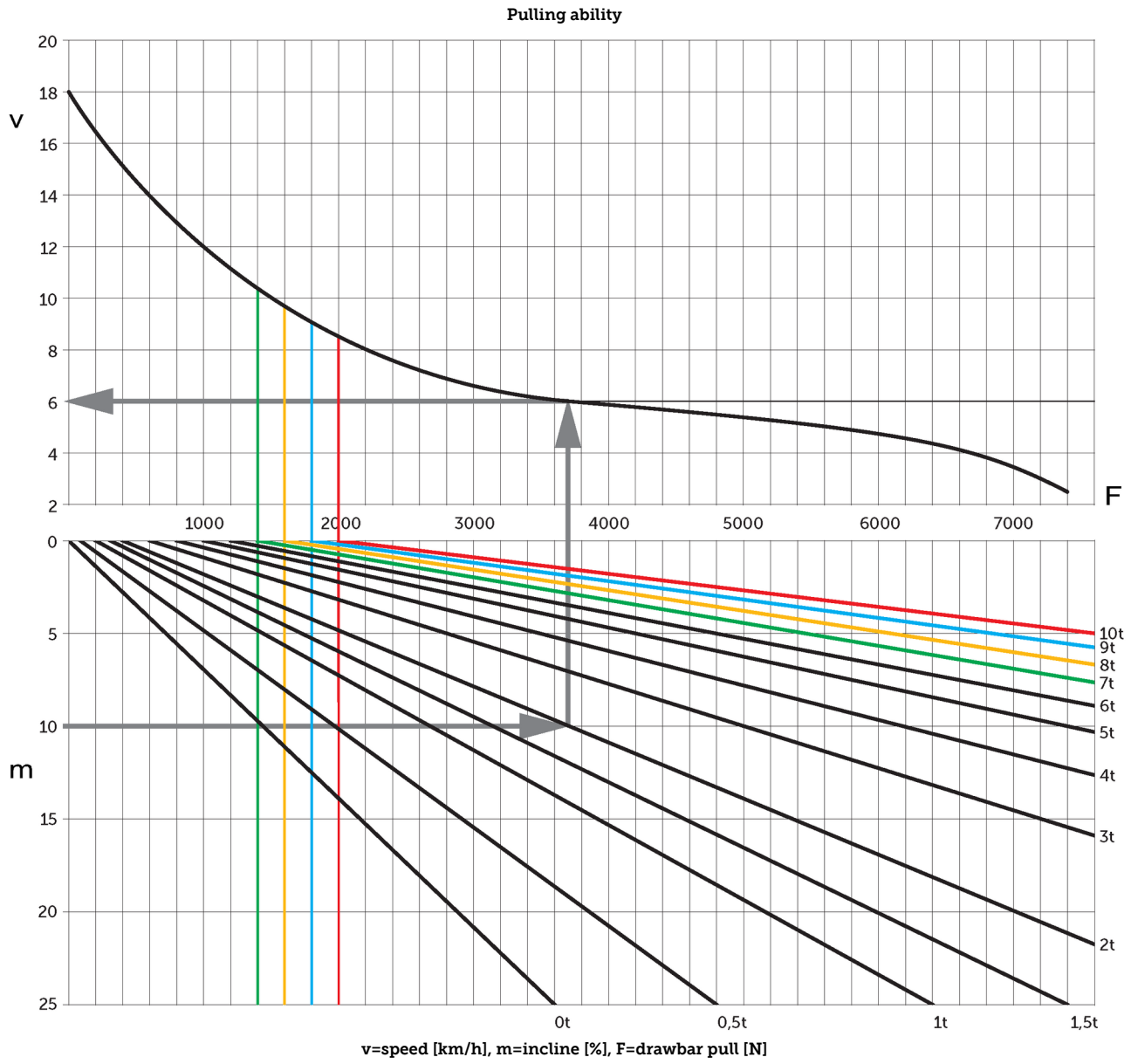
**JUNGHEINRICH**

# EZS 570-5100



EZS 580, technical drawing, data sheet

# EZS 570-5100



# VDI table

Stand-on: 01/2025

|                          |                  |  |                                |                    |             |             |             |
|--------------------------|------------------|--|--------------------------------|--------------------|-------------|-------------|-------------|
| Characteristic           | 1.1              | Manufacturer (abbreviated description)     |                                | Jungheinrich       |             |             |             |
|                          | 1.2              | Manufacturer's type designation            |                                | EZS 5              |             |             |             |
|                          | 1.3              | Drive                                      |                                | Electric           |             |             |             |
|                          | 1.4              | Operation                                  |                                | Seat               |             |             |             |
|                          | 1.5.3            | Towing capacity                            | Q kg                           | 7000               | 8000        | 9000        | 10000       |
|                          | 1.7              | Rated drawbar pull                         | N                              | 1400               | 1600        | 1800        | 2000        |
|                          | 1.9              | Wheelbase                                  | y mm                           | 1035               |             |             | 1250        |
| Weights                  | 2.1.1            | Service weight (incl. battery)             | kg                             | 1260               | 1320        | 1410        | 1825        |
|                          | 2.3              | Axle load unladen front/rear               | kg                             | 580 / 680          | 580 / 740   | 620 / 790   | 880 / 945   |
| Wheels/suspension system | 3.1              | Tyres                                      |                                | Super-elastic (SE) |             |             |             |
|                          | 3.2              | Tyre size, front                           |                                | 4.00-8             | 16x6-8      |             | 16x6-8      |
|                          | 3.3              | Tyre size, rear                            |                                | 4.00-8             |             |             |             |
|                          | 3.5              | Wheels, number front/back (x=driven)       |                                | 1 / 2x             |             |             |             |
|                          | 3.6              | Tread width, front                         | b10 mm                         | 0                  |             |             |             |
|                          | 3.7              | Tread width, rear                          | b11 mm                         | 870                |             |             |             |
|                          | Basic dimensions | 4.7  | Height of overhead guard (cab) | h6 mm              | 2150        |             | 2140        |
| 4.8                      |                  | Seat height/stand height                   | h7 mm                          | 1040               |             |             |             |
| 4.12                     |                  | Coupling height                            | h10 mm                         | 265                |             |             |             |
| 4.12.1                   |                  | 2. Coupling height                         | mm                             | 330                |             |             |             |
| 4.12.2                   |                  | 3. Coupling height                         | mm                             | 395                |             |             |             |
| 4.13                     |                  | Loading height, unladen                    | mm                             | 650                | 640         |             |             |
| 4.16                     |                  | Loading area length                        | l3 mm                          | 400                |             |             |             |
| 4.17                     |                  | Overhang length                            | mm                             | 375                |             |             |             |
| 4.18                     |                  | Loading area width                         | b9 mm                          | 795                |             |             |             |
| 4.19                     |                  | total length                               | l1 mm                          | 1828               |             | 2048        |             |
| 4.21.1                   |                  | total width                                | b1 mm                          | 996                |             |             |             |
| 4.32                     |                  | Ground clearance centre of wheelbase       | m2 mm                          | 160                | 130         |             |             |
| 4.35                     |                  | Turning radius                             | Wa mm                          | 1652               |             | 1866        |             |
| 4.36                     |                  | Smallest pivot point distance              | b13 mm                         | 600                |             | 665         |             |
| Performance data         | 5.1              | Travel speed laden/unladen                 | km/h                           | 9 / 18             | 8.5 / 18    |             | 7.5 / 18    |
|                          | 5.5              | Drawbar pull laden                         | N                              | 1400               | 1600        | 1800        | 2000        |
|                          | 5.6              | Max. drawbar pull laden/unladen            | N                              | 5500 / 5500        | 6500 / 6500 | 7500 / 7500 | 7600 / 7600 |
|                          | 5.10             | Service brake                              |                                | electric           |             |             |             |
| E- motor/Electronics     | 6.1              | Drive motor, performance S2 60 min         | kW                             | 4.5                |             |             |             |
|                          | 6.4              | Battery voltage/nominal capacity           | V / Ah                         | 48 / 375           |             | 48 / 625    |             |
|                          | 6.5              | Battery weight                             | kg                             | 575                |             | 860         |             |
|                          | 6.6              | Energy consumption according to VDI cycle  | kWh/h                          | 0                  |             |             |             |
|                          | 6.6.1            | Energy consumption according to EN cycle   | kWh/h                          | 1.33               | 1.5         | 1.67        | 1.84        |
|                          | 6.6.2            | CO2 equivalent as per EN 16796             | kg/h                           | 0.7                | 0.8         | 0.9         | 1           |
| Other                    | 8.1              | Type of drive control                      |                                | Impulse/AC         |             |             |             |
|                          | 10.7             | Sound level as per EN12053, operator's ear | dB (A)                         | 62                 |             |             |             |

- This data sheet according to VDI guideline 2198 only states the technical values of the standard truck. Different tyres, other masts, additional equipment etc. may result in different values.

The German production facilities in  
Norderstedt, Moosburg and Landsberg  
are certified as well as our Genuine Parts  
Center in Kaltenkirchen. ISO 9001  
ISO 14001

Jungheinrich fork lift trucks meet  
European safety requirements. 

 **JUNGHEINRICH**