

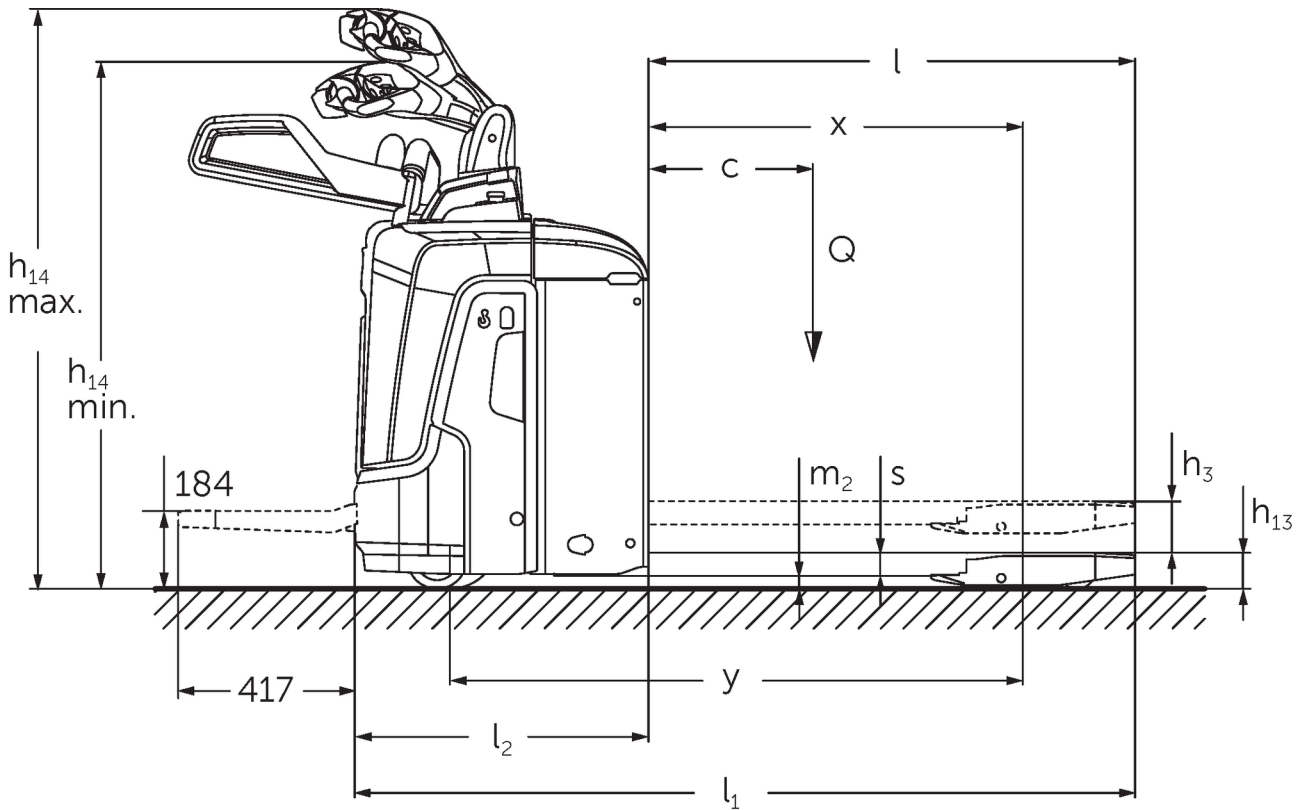


Electric ride-on/pedestrian pallet truck

ERE 120-230

Lift height: 122 mm / Load capacity: 2000-3000 kg

ERE 120-230



ERE 120-230



VDI table

Stand-on: 01/2025

Characteristic	1.1	Manufacturer (abbreviated description)		Jungheinrich							
	1.2	Manufacturer's type designation		ERE 1 / 2							
	1.3	Drive		Electric							
	1.4	Operation		Tiller							
	1.5	Load capacity/load	Q kg	2000	2500			3000			
	1.6	Load centre distance	c mm	600							
	1.8	Load distance, centre of drive axle to fork	x mm	908							
	1.9	Wheelbase	y mm	1378				1450			
	Weights	2.1	tare weight	kg	400	404		424			
2.1.1		Service weight (incl. battery)	kg	630	634		721				
2.2		Axle load laden front/rear	kg	795 / 1825	1126 / 2090		1239 / 2494				
2.3		Axle load unladen front/rear	kg	474 / 138	550 / 159		565 / 160				
Wheels/suspension system	3.1	Tyres		Vulkollan ®/PU + quartz/Vulkollan ®							
	3.2	Tyre size, front		Ø 230 x 65	Ø 230 x 77						
	3.3	Tyre size, rear		Ø 85 x 110 / Ø 85 x 85			Ø 85 x 85				
	3.4	Additional wheels		Ø 140 x 57							
	3.5	Wheels, number front/back (x=driven)		1x +2/2 oder 4			1x +2/4				
	3.6	Tread width, front	b10 mm	363							
	3.7	Tread width, rear	b11 mm	512							
Basic dimensions	4.4	Lift (h3)	h3 mm	122							
	4.9	Height of tiller handle in drive position min./max.	h14 mm	1137 / 1419							
	4.15	Height, lowered	h13 mm	85							
	4.19	total length	l1 mm	1847			1919				
	4.20	Length including fork shank	l2 mm	697			769				
	4.21.1	total width	b1 mm	770							
	4.22	Fork dimensions	s/ e/l mm	55 x 172 x 1150							
	4.25	Width across forks	b5 mm	535							
	4.32	Ground clearance centre of wheelbase	m2 mm	30							
	4.34.1	Aisle width (pallet 1000x1200 sideways)	Ast mm	2411			2483				
	4.34.2	Aisle width (pallet 800x1200 length)	Ast mm	2299			2372				
	4.34.8	Aisle width (pallet 800x1200 crosswise)	Ast mm	2414			2486				
	4.35	Turning radius	Wa mm	1604			1677				
Performance data	5.1	Travel speed laden/unladen	km/h	6 / 6	8 / 9	9 / 9	9.5 / 12.5	9.5 / 14	6 / 12.5	6 / 14	
	5.2	Lift speed laden/unladen	m/s	0.04 / 0.04		0.05 / 0.07					
	5.3	Lowering speed laden/unladen	m/s	0.05 / 0.04		0.05 / 0.05					
	5.8	Max. gradeability laden/unladen	%	5 / 7	8 / 16			6 / 16			
	5.10	Service brake		generative							
E-motor/Electronics	6.1	Drive motor, performance S2 60 min	kW	2	2.8		3.2		2.8		3.2
	6.2	Lift motor, performance with S3	kW	1.2		2.2					
	6.3	Battery according to DIN 43531/35/36		B	-					B	
	6.4	Battery voltage/nominal capacity	V / Ah	24 / 250					24 / 375		
	6.5	Battery weight	kg	230				297			
	6.6.1	Energy consumption according to EN cycle	kWh/h	0.4	0.43	0.4	0.35	0.39	0.36	0.41	
	6.6.2	CO2 equivalent as per EN 16796	kg/h	0.2							
6.7	Throughput	t/h	114	142	156	184	222	220	266		

	6.8.1	Energy consumption with max. throughput	kWh/h	0.74	1.11	1.18	1.29	1.89	1.45	2.05
Other	8.1	Type of drive control		AC						
	10.7	Sound level as per EN12053, operator's ear	dB (A)	63	64	67	64	67		
- This data sheet according to VDI guideline 2198 only states the technical values of the standard truck. Different tyres, other masts, additional equipment etc. may result in different values.										

The values in the table apply to the folding stand-on platform (folded up), M-LBE battery compartment, fork length 1,150 mm, raised support arm lift.

- VDI no. 1.8: lowered load section: $x + 56$ mm.

- VDI no. 1.9: lowered load section: $y + 56$ mm. With M-VBE, L-LBE & L high-LBE battery compartment: $y + 72$ mm; L-VBE: $y + 125$ mm.

- VDI no. 2.1: with lateral battery exchange: $+ 25$ kg.

- VDI no. 4.19: with M-VBE, L-LBE & L high-LBE battery compartment: $l1 + 72$ mm; L-VBE: $l1 + 125$ mm. With folding platform folded down: $l1 + 416$ mm; compact, fixed platform: $l1 + 357$ mm; extended, fixed platform: $l1 + 472$ mm; L platform: $l1 + 477$ mm.

- VDI no. 4.20: with M-VBE, L-LBE & L high-LBE battery compartment: $l2 + 72$ mm; L-VBE: $l2 + 125$ mm. With folding platform folded down: $l2 + 416$ mm; compact, fixed platform: $l2 + 357$ mm; extended, fixed platform: $l2 + 472$ mm; L platform: $l2 + 477$ mm.

- VDI no. 4.34.1: lowered load section: aisle width $+ 50$ mm. with folding platform folded down: aisle width $+ 416$ mm; compact, fixed platform: aisle width $+ 357$ mm; extended, fixed platform: aisle width $+ 472$ mm; L platform: aisle width $+ 477$ mm.

- VDI no. 4.34.2: with folding platform folded down: aisle width $+ 416$ mm; compact, fixed platform: aisle width $+ 357$ mm; extended, fixed platform: aisle width $+ 472$ mm; L platform: aisle width $+ 477$ mm.

- VDI no. 4.34.8: lowered load section: aisle width $+ 68$ mm. with folding platform folded down: aisle width $+ 416$ mm; compact, fixed platform: aisle width $+ 357$ mm; extended, fixed platform: aisle width $+ 472$ mm; L platform: aisle width $+ 477$ mm.

- VDI no. 4.35: lowered load section: $Wa + 56$ mm.

With M-VBE, L-LBE & L high-LBE battery compartment: $Wa + 72$ mm; L-VBE: $Wa + 125$ mm. with folding platform folded down: $Wa + 416$ mm; compact, fixed platform: $Wa + 357$ mm; extended, fixed platform: $Wa + 472$ mm; L platform: $Wa + 477$ mm.

- VDI no. 5.1: ERE 230: 9.5 km/h with 2.5 t load.

The German production facilities in
Norderstedt, Moosburg and Landsberg
are certified as well as our Genuine Parts
Center in Kaltenkirchen. ISO 9001
ISO 14001

Jungheinrich fork lift trucks meet
European safety requirements. 

**JUNGHEINRICH**