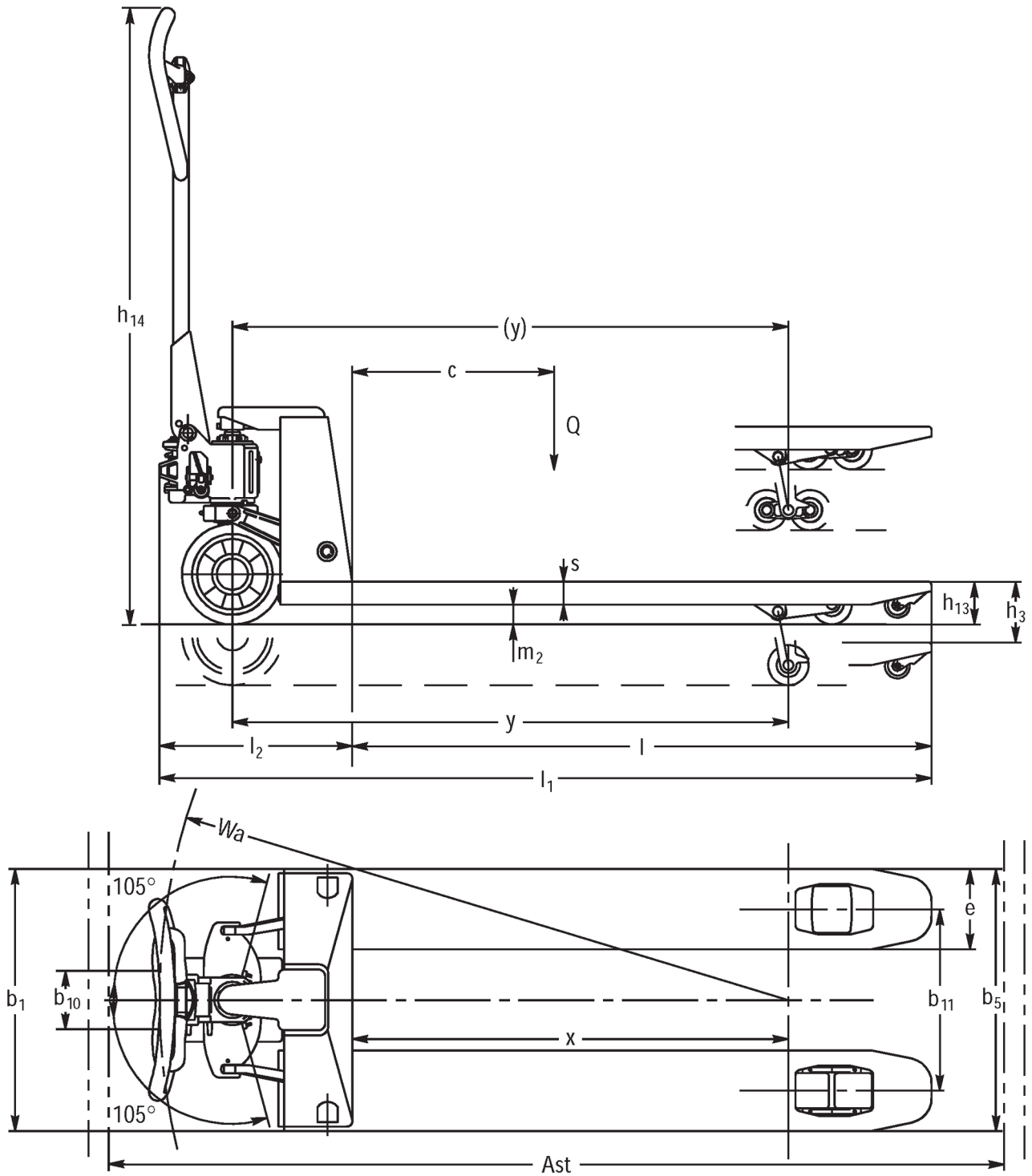




Hand pallet truck **AM 30**

Lift height: 120 mm / Load capacity: 3000 kg

AM 30



VDI table

Stand-on: 01/2025

Characteristic	1.1	Manufacturer (abbreviated description)		Jungheinrich			
	1.2	Manufacturer's type designation		AM 30			
	1.3	Drive		Manual			
	1.4	Operation		Manual			
	1.5	Load capacity/load	Q kg	3000			
	1.6	Load centre distance	c mm	600	800	900	1050
	1.9	Wheelbase	y mm	1174	-		2054
Weights	2.1	tare weight	kg	86	124	126	142
	2.2	Axle load laden front/rear	kg	815 / 2270	- / -		1135 / 2007
	2.3	Axle load unladen front/rear	kg	28 / 58	- / -		57 / 85
Wheels/suspension system	3.1	Tyres		V-BV			
	3.2	Tyre size, front		Ø 200 x 50			
	3.3	Tyre size, rear		Ø 80 x 70			
	3.5	Wheels, number front/back (x=driven)		2/4	2 / 4	2/4	
	3.6	Tread width, front	b10 mm	116			
	3.7	Tread width, rear	b11 mm	390			
	Basic dimensions	4.4	Lift (h3)	h3 mm	120		
4.9		Height of tiller handle in drive position min./max.	h14 mm	1224			
4.14		Stand height, elevated	h12 mm	205			
4.15		Height, lowered	h13 mm	85			
4.19		total length	l1 mm	1603	1983	2183	2483
4.20		Length including fork shank	l2 mm	383			
4.21.1		total width	b1 mm	550			
4.22		Fork dimensions	s/ e/l mm	45 x 160 x 1220	63 x 160 x 1600	63 x 160 x 1800	63 x 160 x 2100
4.25		Width across forks	b5 mm	550			
4.32		Ground clearance centre of wheelbase	m2 mm	36	-		36
4.34.1		Aisle width (pallet 1000x1200 sideways)	Ast mm	1803	-		2683
4.34.2		Aisle width (pallet 800x1200 length)	Ast mm	1803	-		2683
4.35		Turning radius	Wa mm	1319	-		2184
Performance data	5.3	Lowering speed laden/unladen	m/s	0.09 / 0.05			
<p>- This data sheet according to VDI guideline 2198 only states the technical values of the standard truck. Different tyres, other masts, additional equipment etc. may result in different values.</p>							

The German production facilities in
Norderstedt, Moosburg and Landsberg
are certified as well as our Genuine Parts
Center in Kaltenkirchen. ISO 9001
ISO 14001

Jungheinrich fork lift trucks meet
European safety requirements. 

 **JUNGHEINRICH**